



# **4T450FIEN26-T**

**4T 450 Fi EN**

**4S 450 Fi EN**

13/11/2025

TM MOTO SRL UNIPERSONALE - VIA FANO, 6 - 61122 PESARO – ITALY

**WWW.TM-MOTO.IT**



4T450FIEN26-T

4T 450 Fi EN - 4S 450 Fi EN

SOMMARIO

TABLE OF CONTENTS

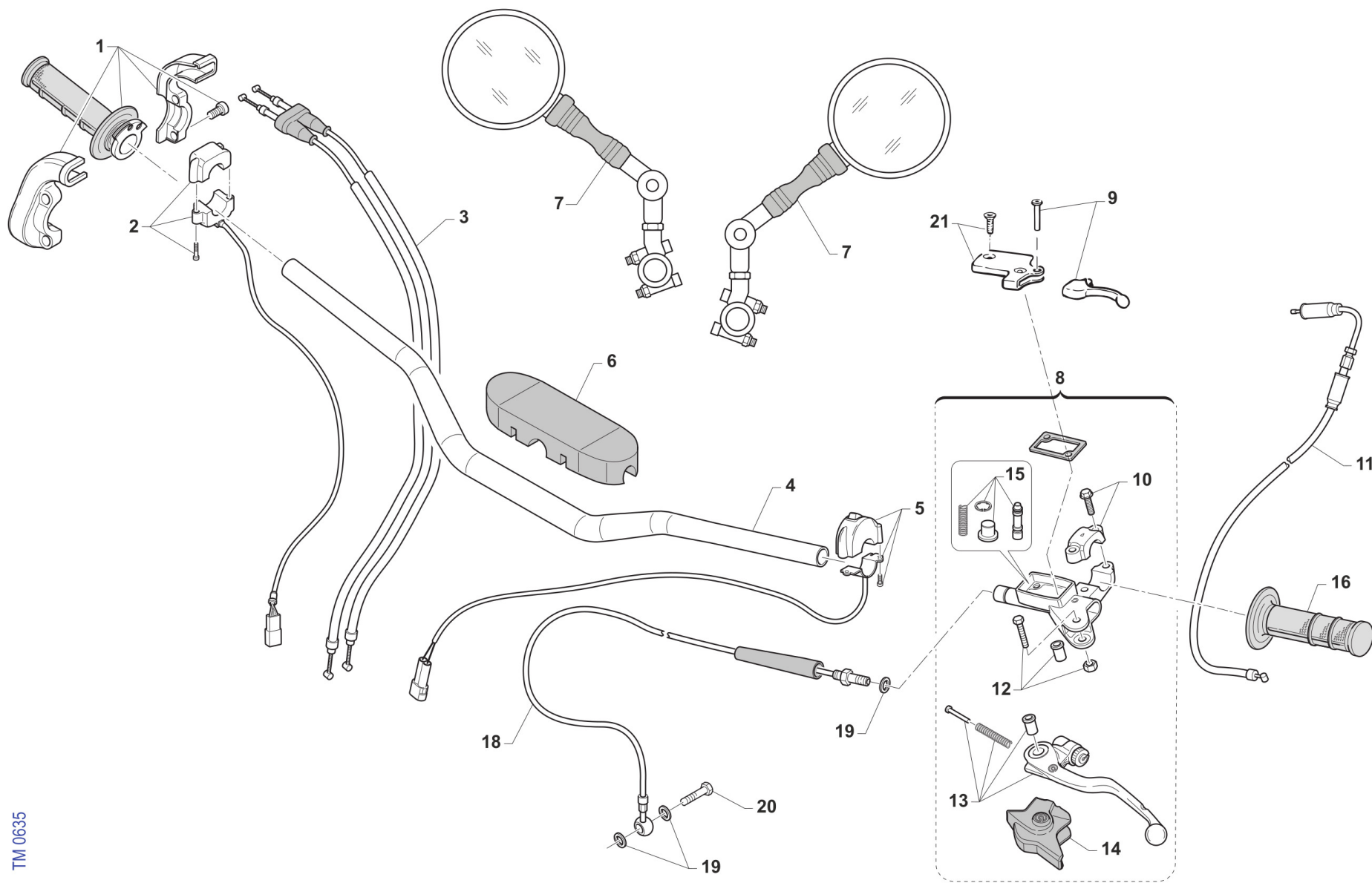
MANUBRIO - HANDLEBAR.....	3
FRENO ANTERIORE - FRONT BRAKE.....	5
FORCELLA - FORNT FORK.....	7
RUOTA ANTERIORE - FRONT WHEEL.....	10
ELETTROVENTOLA - ELECTRIC FAN.....	12
RADIATORI - RADIATORS.....	14
AIRBOX.....	16
TELAIO - FRAME.....	18
PLASTICHE E SELLA - PLASTIC AND SEAT.....	21
SERBATOIO - FUEL TANK.....	23
FORCELLONE - SWINGARM.....	25
LEVERAGGI EN +1 - LINKAGE EN +1.....	27
RUOTA POSTERIORE 18x2.15 - REAR WHEEL 18x2.15.....	29
FRENO POSTERIORE - REAR BRAKE.....	32
SCARICO - EXHAUST SYSTEM.....	35
CABLAGGI - EXHAUST.....	37
IMPIANTO LUCI - LIGHTING SYSTEM.....	39
CONTA KM + CLACSON - SPEEDOMETER + HORN.....	41
KIT ADESIVI EN.....	43
KIT ADESIVI EN CORSE.....	45



4T450FIEN26-T  
4T 450 Fi EN - 4S 450 Fi EN

MANUBRIO  
HANDLEBAR

1



TM 0635



4T450FIEN26-T  
4T 450 Fi EN - 4S 450 Fi EN

MANUBRIO  
HANDLEBAR

1

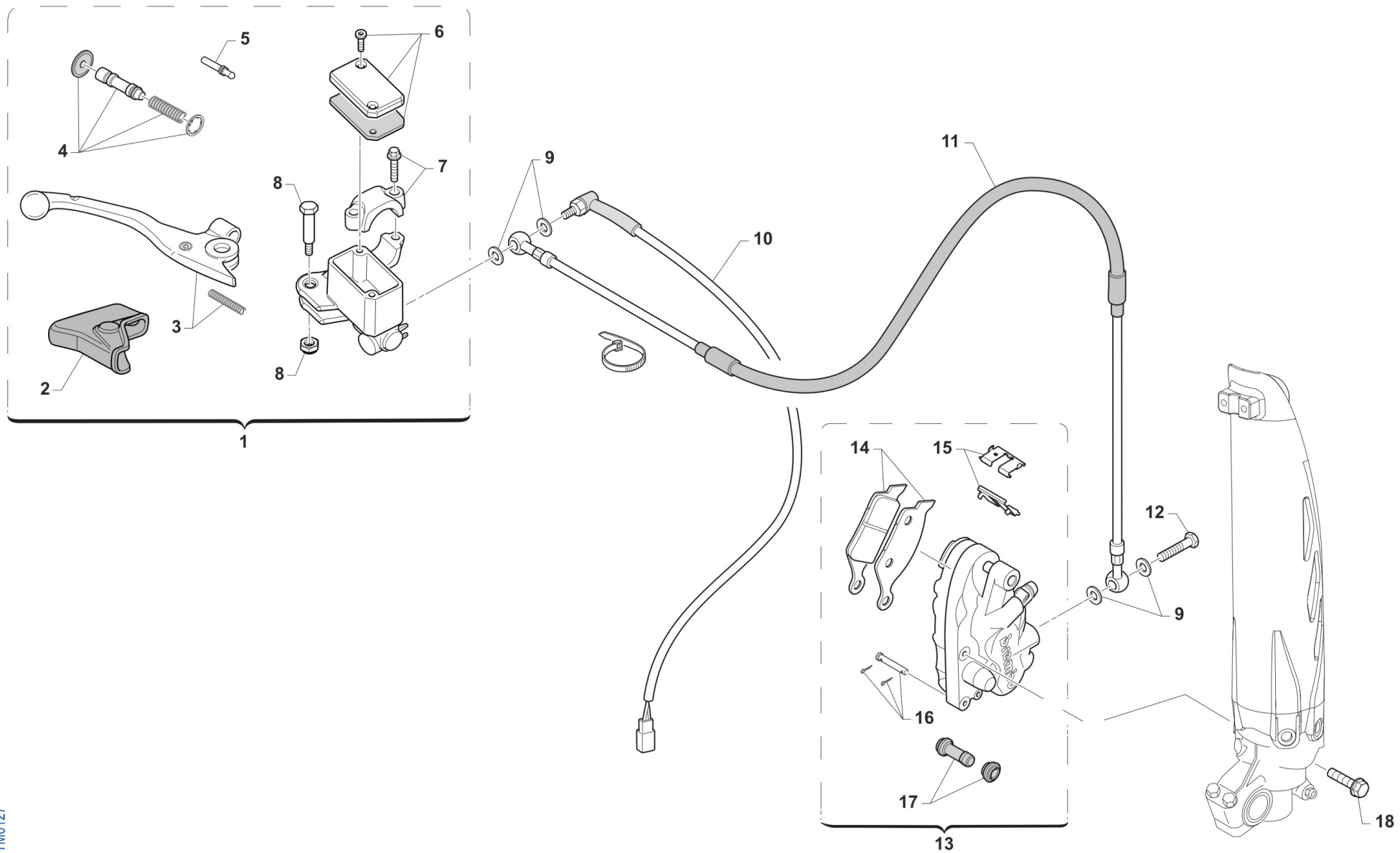
Pos.	Codice	Q.tà	Note	Descrizione	Description
1	F64300	1		COMANDO GAS DOMINO 4T + 2T Fi	THROTTLE CONTROL DOMINO 4S + 2S Fi
2	F68317	1		PULSANTE AVVIAMENTO + MASSA 450 EN MY 2020	
3	F64322	1		CAVO GAS 4T INIEZIONE M.10->	THROTTLE CABLE 4S Fi M.10/->
4	64085	1		MANUBRIO TM RACING 9012 TL	
5	68029	1		COMMUTATORE MAPPE CDI M.DOMINO	SWITCH, ECU MAP CONTROL DOMINO
6	64078.1	1		PARACOLPI MANUBRIO TM 2013 NR	PROTECTION FOR HANDLEBAR TM BLACK
7	64200	2		SPECCHIETTO RETROVISORE	REAR-VIEW MIRROR
8	69360	1		POMPA FRIZIONE PS 9/17.7 BREMBO	PUMP, CLUTCH PS 9/17.7 BREMBO
9	64244.01	1		LEVETTA DECOMPR.P.FRIZ.BREMBO	
10	64249	1		CAVALLOTTO POMPA FRIZIONE BREM	HOLDER CLUTCH MASTER CY.BREMBO
11	F64326	1		CAVO COMANDO STARTER X C.FARF.	CABLE, HOT STARTER T/BODY Fi
12	64245	1		PERNO LEVA POMPA FRIZ. BREMBO	PIN
13	64241	1		LEVA FRIZIONE BREMBO RICAMBIO	LEVER, CLUTCH BREMBO
14	64238	1		PARAPOLVERE POMPA FRIZIONE BR.	DUST SEAL,CLUTCH MASTER CYL.BR
15	64265	1		FLOTTANTE POMPA FRIZ. BREMBO 69360 9/17	
16	64087	1		MANOPOLE COPPIA CIRCUIT IV (AZZURRO)	
18	F35619	1		TUBO FRIZ.IDR. MX-END 450 KIT L.1030 M. 20->	
19	69034	2		RONDELLA X BULLONE FREN B22001	WASHER B22001, BRAKE HOSE
20	69093	1		BULLONE 10X1 TUBO FRENO BREMBO 03	HOLLOW SCREW M10X1 BREMBO BR.
21	64264	1		COPERCHIETTO POMPA FRIZ. IDR. BREMBO CNC X DEC.	



4T450FIEN26-T  
4T 450 Fi EN - 4S 450 Fi EN

FRENO ANTERIORE  
FRONT BRAKE

2



TM0127



4T450FIEN26-T  
4T 450 Fi EN - 4S 450 Fi EN

FRENO ANTERIORE  
FRONT BRAKE

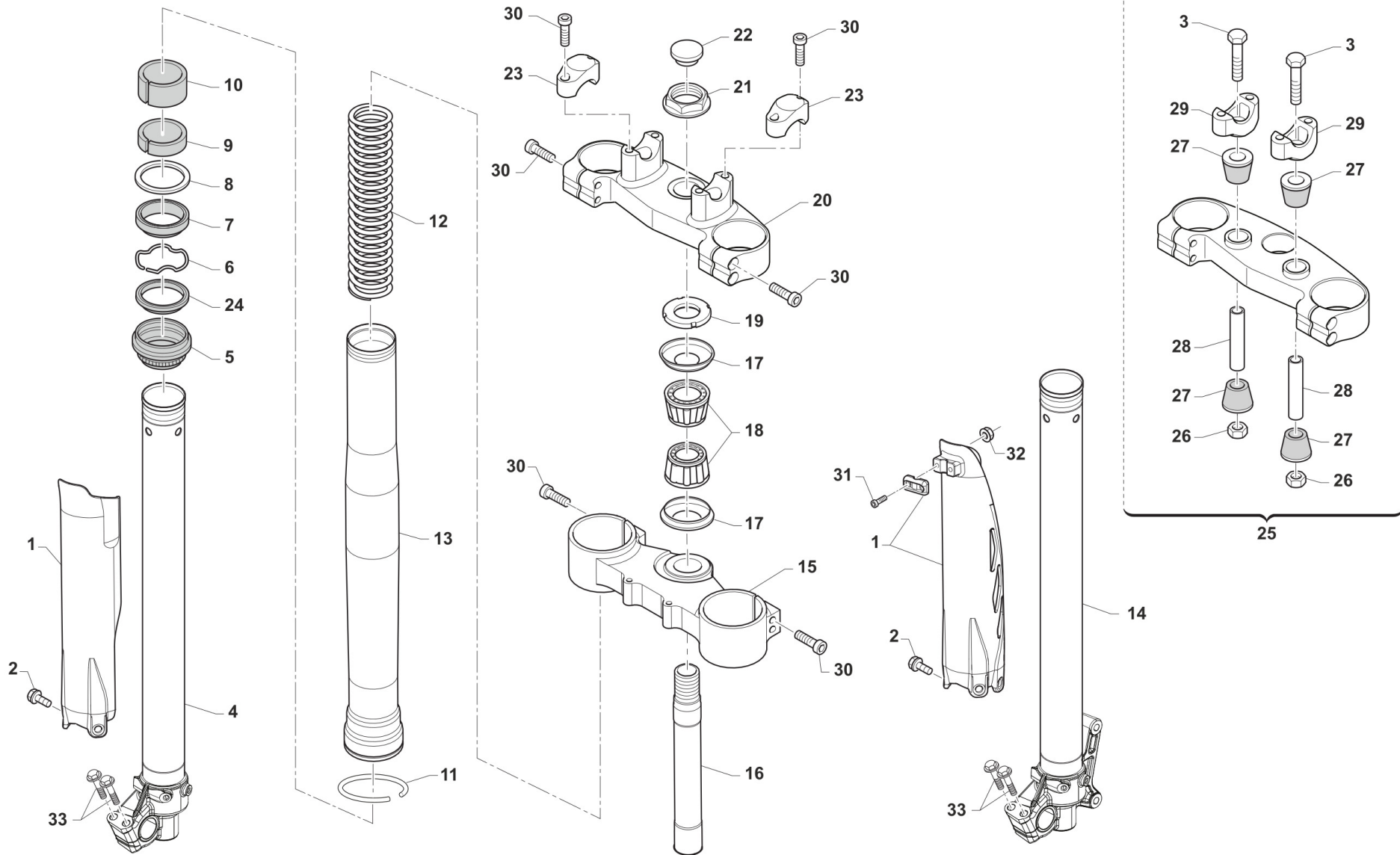
2

Pos.	Codice	Q.tà	Note	Descrizione	Description
1	69248	1		POMPA FRENO ANT PS10/16 BREMBO	FRONT MASTER CYLINDER PS 10/16 BREMBO
2	69363	1		CAPPUCCIO POMPA FRENO ANT PS10/16	RUBBER FRONT MASTER CYLINDER BREMBO
3	69357	1		LEVA FRENO ANT BR. X 69248	BRAKE FRONT LEVER BREMBO X 69248
4	69358	1		KIT FLOTTANTE POMPA FREN.69248	CYLINDER AND RUBBER KIT 69248
5	69364	1		PUNTALINO POMPA FRENO ANT PS10/16	PUSH ROD
6	69368	1		TAPPO POMPA FRENO BREMBO 69248	CAP
7	69362	1		CAVALLOTTO POMPA FRENO ANT PS10/16	HOLDER
8	69365	1		PERNO LEVA POMPA FRENO ANT PS10/16	PIN, LEVER
9	69034	4		RONDELLA X BULLONE FREN B22001	WASHER B22001, BRAKE HOSE
10	68060	1		INTERRUT. IDR. STOP BREMBO 90 GRADI	SWITCH,IDR.STOP REAR BR.BREMBO
11	69042.14	1		TUBO FRENO ANT END 08/-> WHITE	HOSE, FR BRAKE END 08-> WHITE
12	69093	1		BULLONE 10X1 TUBO FRENO BREMBO 03	HOLLOW SCREW M10X1 BREMBO BR.
13	69222	1		PINZA FRENO ANTERIORE KYB PF2	CALIPER, FRONT BRAKE XKYB PF2
14	69107	1		PASTIGLIE ANTERIORI MY 92/25 BREMBO	PAD KIT, FR BRAKE BREMBO 92/->
14	69117	1		PASTIGLIE ANT.M.92/11 SINT.TOS	PADS, FRONT BRAKE 92->11 SINT.
15	69273	1		LAMIERINO PINZA 69222	RETAINER BRAKE PADS 69222
16	69274	1		PERNO PINZA ANT. 69222	PIN, BRAKE PADS
17	69113	1		CUFFIE PINZA ANT/POST 92/98	COVER, RUBBER CALIPER 92/98
18	49365	1		VITE TE F/R 8X35 Ch.10	BOLT 8X35 T.10mm



4T450FIEN26-T  
4T 450 Fi EN - 4S 450 Fi EN

FORCELLA  
FORNT FORK



TM 0124.05



4T450FIEN26-T  
4T 450 Fi EN - 4S 450 Fi EN

FORCELLA  
FORNT FORK

3

Pos.	Codice	Q.tà	Note	Descrizione	Description
1	67471	1		PROTEZ.KIT FORC.USD QUANTUM 2025	FORK PROTECTOR KIT USD MY 2020 - QUANTUM GREY
2	49571	6		VITE TBCE 6 x 7 PROT. FORCELLA	BOLT TBCE 6x7
3	49582	2		VITE TE 10X65 UNI 5737	SCREW EH 10X65
4	72568	1		INNER TUBE COMP RIGHT	INNER TUBE COMP RIGHT
5	72502	2		PARAPOLVERE FORCELLA KYB 48 mm	DUST SEAL KYB FORK 48 mm
6	72525	2		SNAP RING OIL SEAL KYB 48 MM	SNAP RING OIL SEAL KYB 48 MM
7	72501	2		PARAOLIO FORCELLA KYB 48 mm	OIL SEAL KYB FORK 48 mm
8	72526	2		WASHER NEXT TO OIL SEAL KYB 48	WASHER NEXT TO OIL SEAL KYB 48
9	72504	2		SLIDE METAL KYB 48 mm	SLIDE METAL KYB 48
10	72503	2		PISTON METAL KYB 48 mm	PISTON METAL KYB 48
11	72530	2		SNAP RING OUTERTUBE KYB 48 MM	SNAP RING OUTERTUBE KYB 48 MM
12	72392	2		SPRING 4.3 N/mm FORC. KYB	
12	72393	2		SPRING 4.4 N/mm FORC. KYB	
12	72394	2		SPRING 4.5 N/mm FORC. KYB	
12	72395	2		SPRING 4.8 N/mm FORC. KYB	
12	F72445	2		MOLLA FORCELLA KAYABA 48 K=4.0	SPRING, FORKS KYB 48 K=4.0
13	72567.1	2		OUTER TUBE COMP (FODERO) COL. ORO Kashima Gold	OUTER TUBE COMP, GOLD
14	72569	1		INNER TUBE COMP LEFT	INNER TUBE COMP LEFT
15	72000.101	1		PIASTRA INF. KYB 48,22	
15	72000.72	1		PIASTRA INF. KYB 48,23	BOTTOM TRIPLE CLAMP KYB 48,23
16	72031	1		CANOTTO STERZO FERRO END 98/->	STEERING STEM, END. M.98/->
17	72002.02	2		PROTEZIONE CUSC/CANOTTO STERZO M. 02 ->	DUST SEAL, STEERING STEM 02/->
18	03070	2		CUSCINETTO CONICO STERZO 02/->	BUSH, STEERING M. 02/->
19	72008.98	1		GHIERA STERZO FORCELLA MY 98/26	NUT, STEERING BEARING
20	72000.100	1		PIASTRA SUP. KYB 48,22	
20	72000.71	1		PIASTRA SUP. KYB 48,23	BOTTOM TRIPLE CLAMP KYB 48,23
21	49080	1		DADO CANOTTO STERZO 98/-> ALL	NUT, STEERING STEM ALUM 98/->
22	21033	1		TAPPO PLAST.D25 -CANOT.STER.EN	PLASTIC CAP D.25mm STEER. AXE



4T450FIEN26-T  
4T 450 Fi EN - 4S 450 Fi EN

FORCELLA  
FORNT FORK

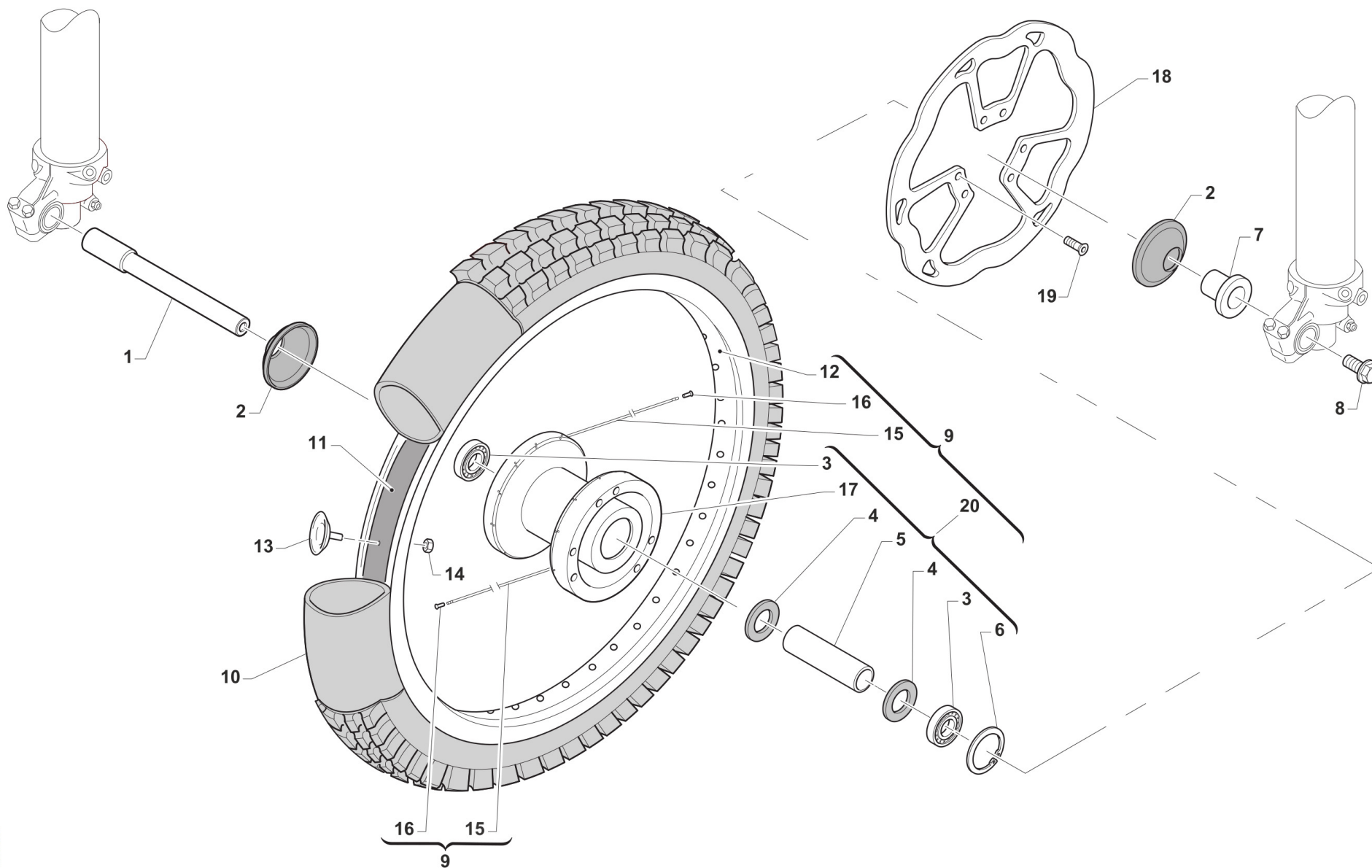
3

Pos.	Codice	Q.tà	Note	Descrizione	Description
23	72036.11	2		CAVALLOTTO SUP.M.11 SILVER	UPPER HANDLEBAR M.11 SILVER
24	72341	2		SCRAPER FORC.KYB R.DEPT	SCRAPER
25	72000.109	1		PIASTRA SUP. KYB 48,22 SB CPL	
25	72000.78	1		PIASTRA SUP. KYB 48,23 SB CPL	TOP TRIPLE CLAMP SB KYB 48,23
26	49646	2		DADO M10 BASSO AUTOBLOCCANTE	NUT, M10 LOW SELF-LOCKING
27	21036	4		GOMMINO CAVAL. ANTIVIB.MANUBRIO MY 05->	RUBBER, HANDLEBAR 05/->
28	26106	2		TUBETTO CAV.ANT.VIB.12X45X10	BUSH, RUBBER, TRIPLE CLAMP
29	72037.11	2		CAVALLOTTO INF. 11 RP SB SILVER	LOWER HANDLEBAR, CNC S.B. M11
30	49502	8		VITE TCEI 8X30	BOLT TCEI 8X30
31	49474	2		VITE TCEI 5X16 UNI 5931	BOLT TCEI 5X16
32	49629	2		DADO M 5 ALTO AUTOBLOCCANTE	NUT 5mm, HIGHT SELF-LOCKING
33	72622	4		VITE PIEDINO FORCELLA KYB	



4T450FIEN26-T  
4T 450 Fi EN - 4S 450 Fi EN

RUOTA ANTERIORE  
FRONT WHEEL



TM0017



4T450FIEN26-T  
4T 450 Fi EN - 4S 450 Fi EN

RUOTA ANTERIORE  
FRONT WHEEL

4

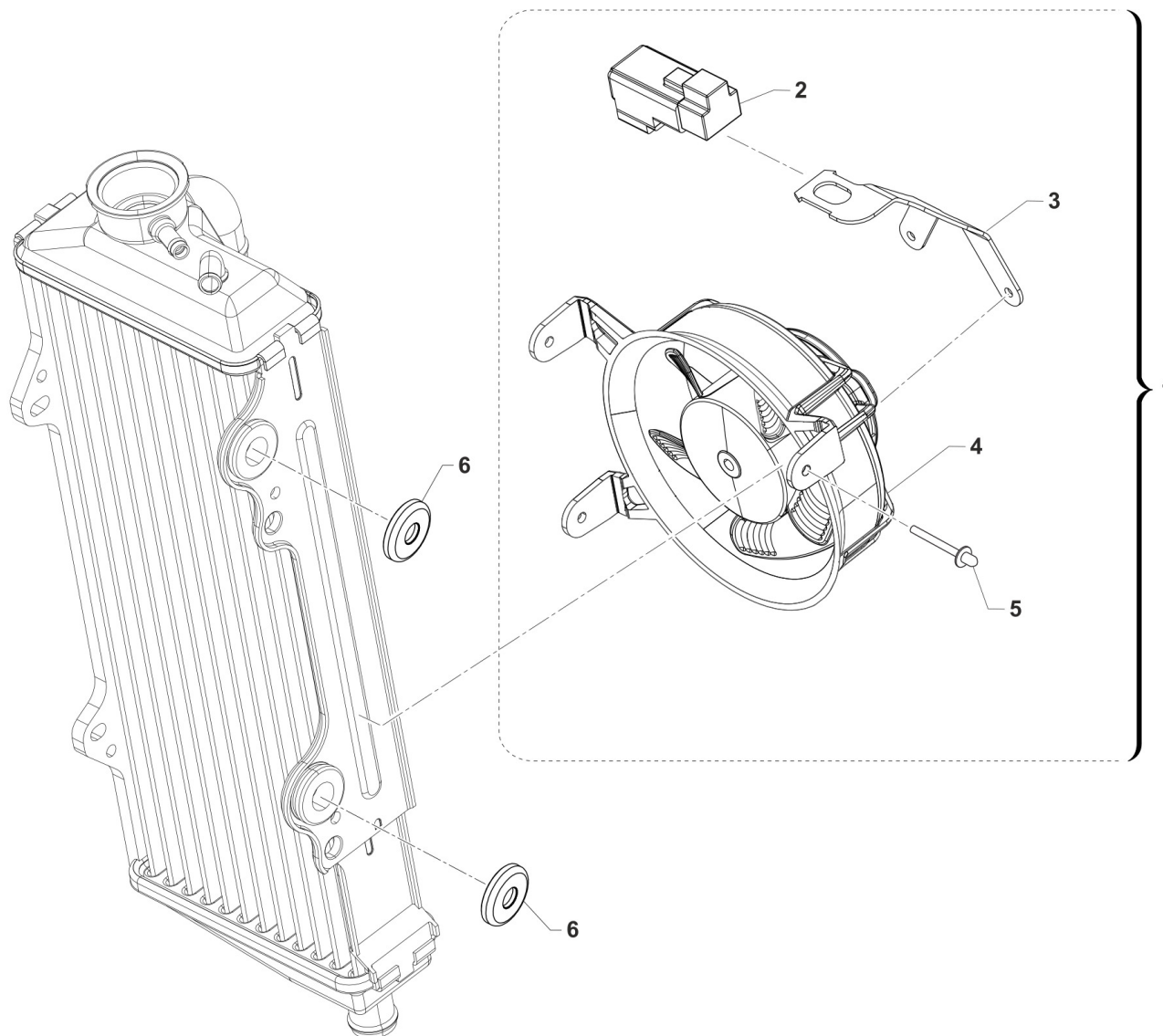
Pos.	Codice	Q.tà	Note	Descrizione	Description
1	74044	1		PERNO RUOTA ANT MA50 07/->	AXLE, FR WHEEL MA50 07/->
2	69998	2		PARAPOLVERE RUOTA ANT. MARZ. KYB 07->	DUST SEAL, FR WHEEL MA50 07/->
3	03071	2		CUSCINETTO RUOTA ANTER. + POSTER.	BUSH, FRONT WHEEL MA50 61905
4	70165	2		RONDELLA GOMMA 42X29X3 D.I.ANT	WASHER, RUBBER 42x29x3
5	70167	1		DIST.INT.R.ANT. MARZOCCHI 07	SPACER INTER.FRONT WHEEL MA.7
6	49250	1		SEEGER I 42 RP 94/96 ANT MARZ.50	CIRCLIP D.42 - REAR WHEEL
7	70166	1		BOCCOLA RUOTA ANT MA50 07/->	SPACER, FR WHEEL MA50 07/->
8	49077	1		DADO PERNO RUOTA ANT M.K.07->	NUT, FR AXLE MA50 M.07/->
9	70191	1		CERCHIO ANT. CPL 21x1.60 MA50/KYB48 BLU	RIM, FRONT MX ASSY 21x1.60 MY10->
10	80150	1		CAMERA ARIA ANTERIORE 21	TUBE, TYRE 21
11	70032	1		FLAP RUOTA ANTERIORE 21	FLAP FRONT WHEEL 21
12	70050	1		CERCHIO ANT 21x1.60 TAKASAGO BLU	FRONT RIM 1.60x21 Takasago
13	70030.1	1		FERMA COPERTURA RUOTA ANTER. 1.60	STOPPER 1.60
14	49640	1		DADO M 8 FLANGIATO CHIAVE 12	NUT 8mm, FLANGE
15	70246	36		RAGGIO R.ANT.4.0/3.1/4.0 X 230	SPOKE FR.WHEEL 4/3.1/4 X 230
16	70062	36		NIPPLO ACCIAIO 4	SPOKE NIPPLE 4 mm
17	70315	1		MOZZO ANT VMX MA50/KYB EN/MX R4 NUDO	
18	69260	1		DISCO FRENO ANT.2015 270x70,5	BRAKE, FRONT DISK 15->
19	49370	6		VITE TE F/R 6X12	BOLT 6X12
20	70188	1		MOZZO ANT MA50/KYB EN/MX R4 CPL	FRONT HUB MARZ. 2010 --> ASSY



4T450FIEN26-T  
4T 450 Fi EN - 4S 450 Fi EN

ELETTOVENTOLA  
ELECTRIC FAN

5



0636.02



4T450FIEN26-T  
4T 450 Fi EN - 4S 450 Fi EN

ELETTROVENTOLA  
ELECTRIC FAN

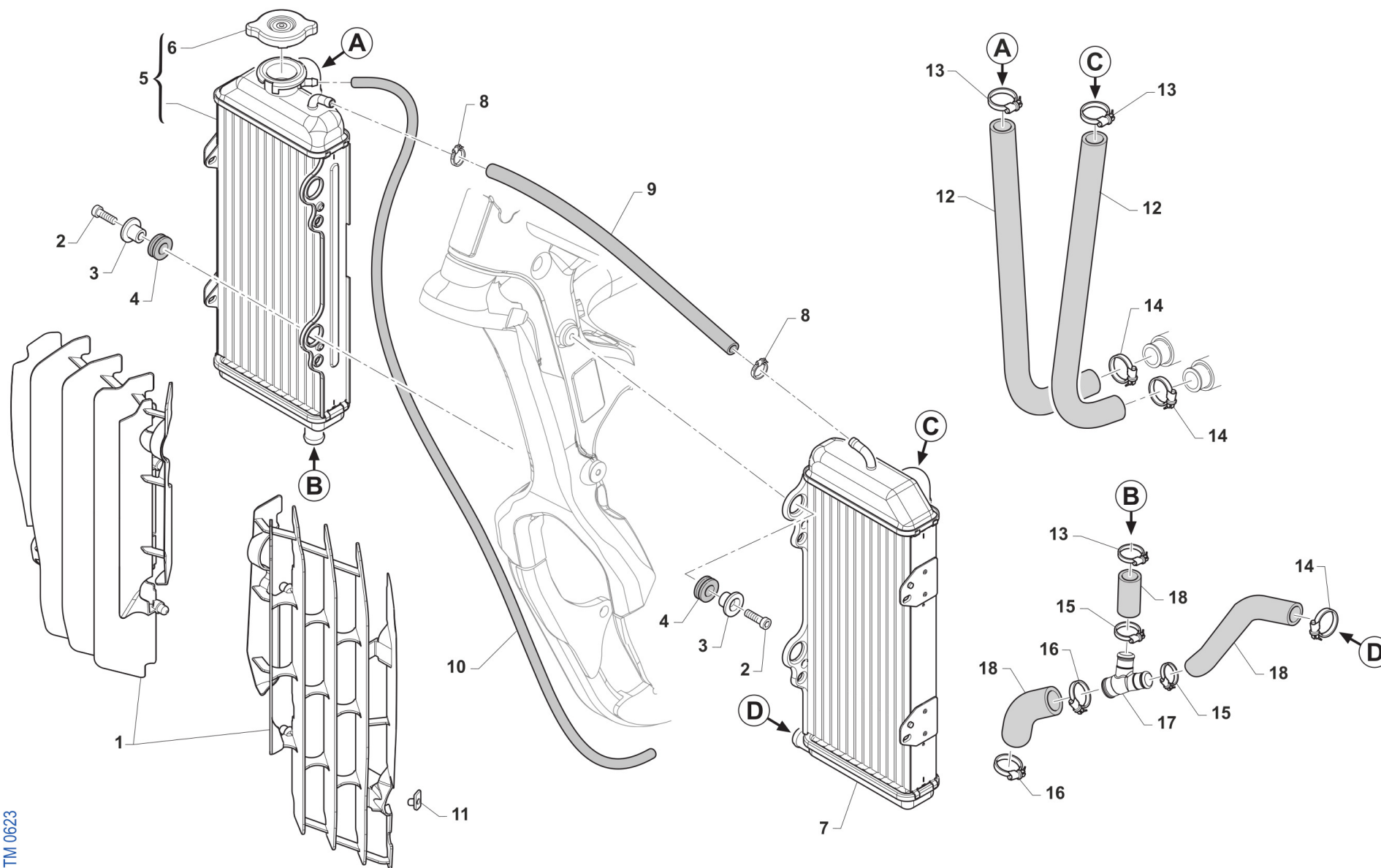
5

Pos.	Codice	Q.tà	Note	Descrizione	Description
1	23104	1		ELETTROVENTOLA Ø101 + CONV. MY24 COMPLETA(23103 + 26235 + F68212)	
2	F68212	1		RELAY AVV. ELETTRICO PAN. M2015->	RELAY EL. STARTER M.-> 15
3	26235	1		PIASTRINO FISSAGGIO RELE' SU ELETTROVENTOLA	
4	23103	1		ELETTROVENTOLA Ø101 + CONV. MY24 CABLATA	
5	49807.1	3		RIVETTO ALL. A STRAPPO 4 X10	RIVET 4X10
6	48265	2		DISTANZIALE RADIATORE 4T CON ELETTROVENTOLA	



4T450FIEN26-T  
4T 450 Fi EN - 4S 450 Fi EN

# RADIATORI RADIATORS



TM 0623

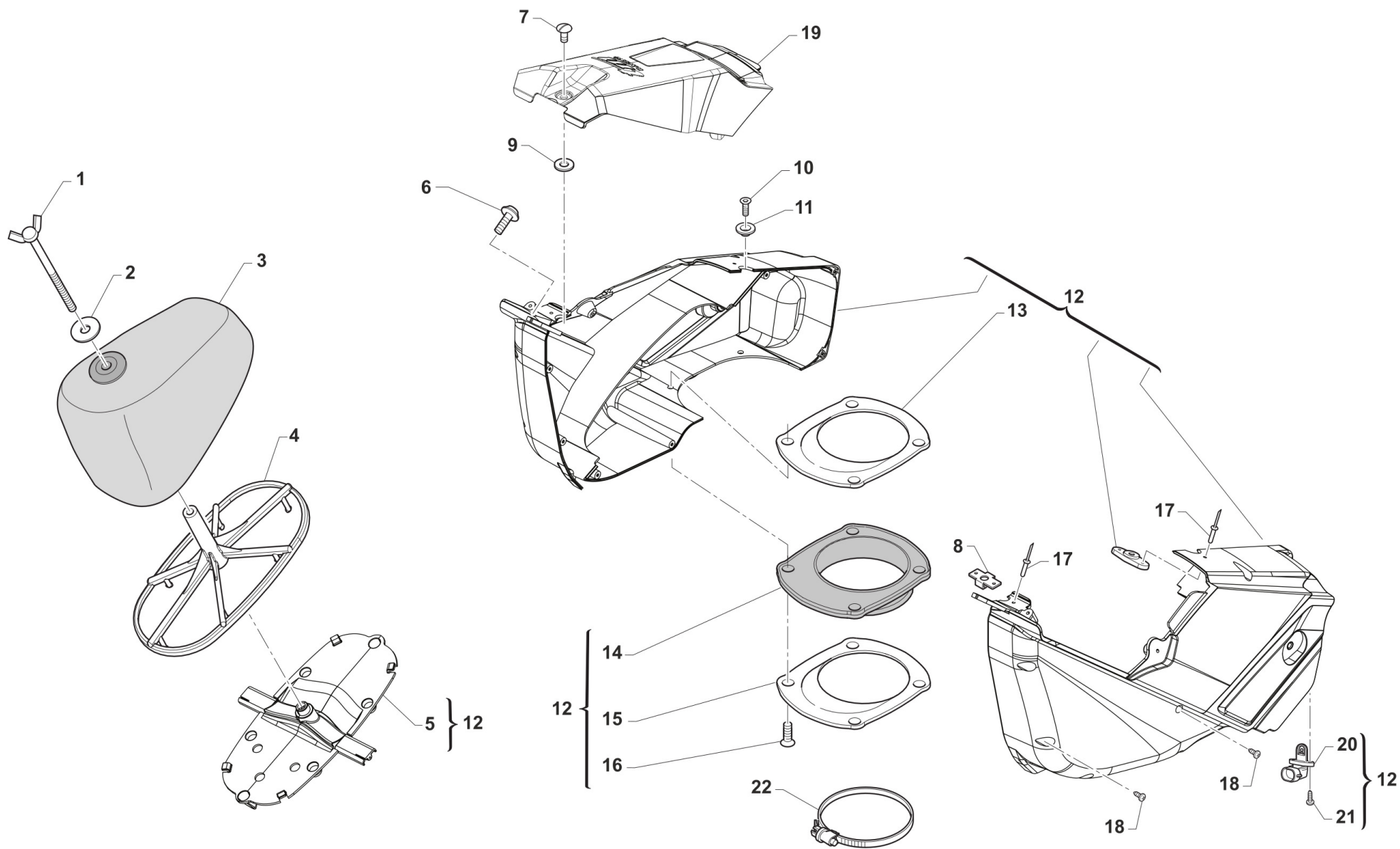


4T450FIEN26-T  
4T 450 Fi EN - 4S 450 Fi EN

RADIATORI  
RADIATORS

6

Pos.	Codice	Q.tà	Note	Descrizione	Description
1	23110	1		KIT PROTEZ. RAD. 4T MY 22/25 CPL NERO	GUARDS, RADIATOR 4S MY 22/25 BLACK
2	49482	4		VITE TCEI 6X14 UNI 5931	BOLT TCEI 6X14
3	26064	4		BOCCOLA RADIATORE MY 02 / 06 ->	BUSH, RADIATOR M.02/06
4	21102	4		GOMMINO ANTIV.RADIAT.SILENZ. MY 94->	RUBBER, GROMMET RADIATOR and SILENC.
5	23083	1		RADIATORE 4T DX LUNGO MY2022 FA L.TAP.(passaggio scarico)	
6	23062	1		TAPPO RADIATORE 1,8 BASSO(PER RADIATORE 23065)	RADIATOR CAP 1,8
7	23084	1		RADIATORE 2T+4T SX LUNGO MY2022 FA	
8	51001	2		FASCETTA 07/11 mm	CLAMP 07/11 mm
9	67028	1		TUBO HYDRO' ECO 6 X 12	
10	67170	1		TUBO COPOLAN GRIGIO 5x9 mm (rotolo 200 ml.)	HOSE, COPOLAN GREY 5x9 mm
11	49801	2		PRESTOLA RADIATORE M6 70117G	RANGE CHANGE MET.NUT M6 70117G
12	F21413.1	2		MANICOTTO ACQUA RADIATORE 05->	WATER HOSE RADIATOR M.2005
13	51062	3		FASCETTA A COLLARE DIAM.22 ZN	CLIP, WATER HOSE, d.22 ZN
14	51036	3		FASCETTA A COLLARE DIAM.24 ZN	CLIP, WATER HOSE, d.24 ZN
15	F51115	2		FASCETTA OETIKER 25.6	
16	F51113	2		FASCETTA OETIKER 30.1	
17	21137	1		MANICOTTO METALLICO ACQUA AD Y 2T 2020	WATER HOSE METAL Y 2S 2020
18	21063.3	1		KIT TUBI INFERIORI RAD. 4T 450/530 EN/SMR 2221073 + F21449 + 10 CM	



TM 0610.01

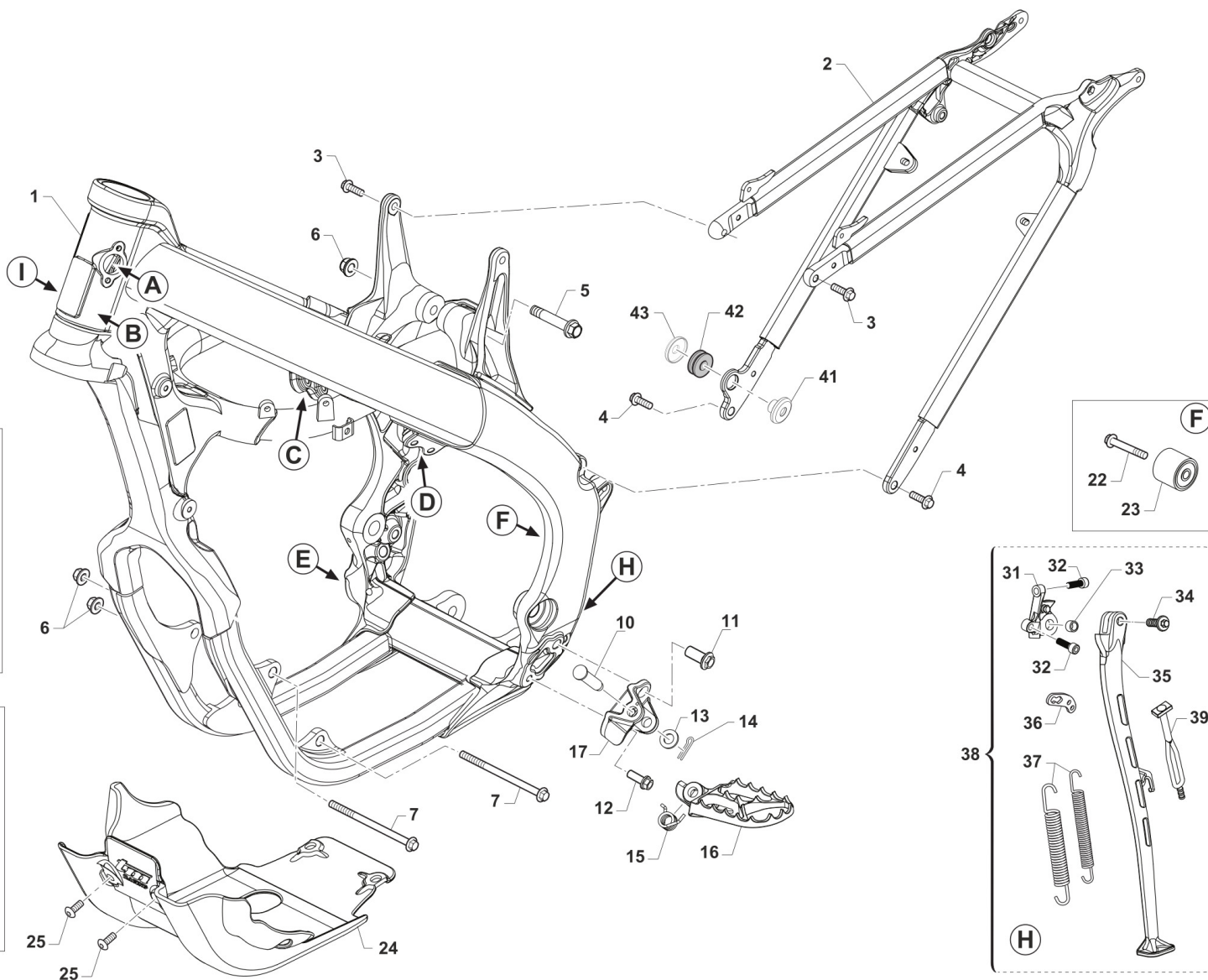
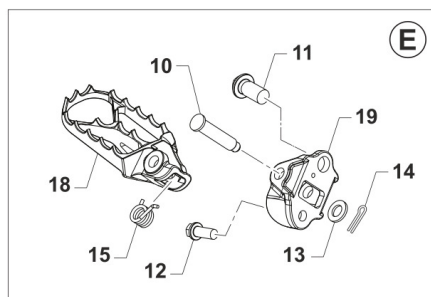
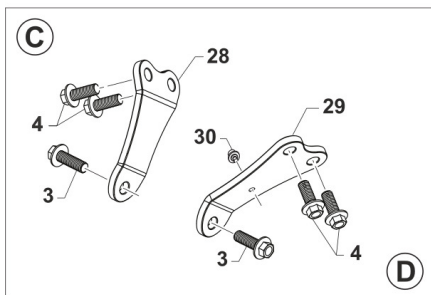
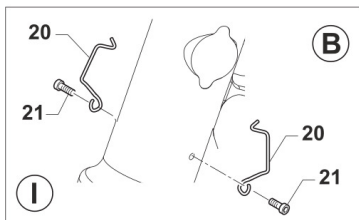
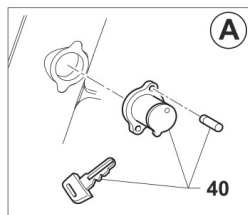


4T450FIEN26-T  
4T 450 Fi EN - 4S 450 Fi EN

AIRBOX

7

Pos.	Codice	Q.tà	Note	Descrizione	Description
1	49418	1		GALLETTO C/PERNO FILTRO 6x102	SPECIAL BOLT AIR FILTER M6X102
3	66071	1		FILTRO ARIA 4T MY22 PACKED	AIR FILTER FS PACKED MY22->
4	F66521.22	1		GABBIA FILTRO 4T MY22	CAGE, AIR FILTER FS MY22->
5	F67202	1		STAFFA FISSAGGIO FILTRO MOTO 4T MY22	
6	F49822	1		VITE ES.FLANG.M6X12 T.AL.M08	BOLT, 6X12 AL. FRAME M.08->
7	49925	1		SPINOTTO D8-316-110-190 CORTO	PIN D8-316-110-190 SHORT
8	49924	1		RICETTACOLO D8-336-400-121	PIN D8-336-400-121
9	49923	1		RONDELLA D8-326-100-040	WASHER D8-326-100-040
10	49404	1		VITE TSEI 6X16	BOLT TSEI 6x16
11	26083	1		BOCCOLA FISS.SELLA/SERBAT. M08	BUSH, FIX SEAT / TANK M.08->
12	F67142.22	1		AIRBOX 4T MONO MY22 CPL	
13	F67139	1		FLANGIA CUFFIA C.FILT.4T M15 I INTERNA	FLANGE, INTERNAL
14	F66520	1		CUFFIA CASSA FILTRO 4T 2015	AIRBOOT, 4S MY15
15	F67139.1	1		FLANGIA CUFFIA C.FILT.4T M15 E ESTERNA	FLANGE, EXTERNAL
16	49402	4		VITE TSEI 5X20	BOLT TSEI 5X20
17	49888	4		RIVETTO ACC. 3 X12	RIVET 3X12
18	49872	9		VITE TMT+PZ 3X20 PER PLASTICA	SCREW 3X20
19	67465	1		COPERCHIO CASSA FILTRO MOTO 4T MY25 QUANTUM	
20	F08004	1		SENSORE TEMP. ARIA	SENSOR, AIR TEMPERATURE ATS05
21	49304	2		VITE T.C. 3X12	BOLT
22	51006	1		FASCETTA 92/112	CLAMP 92/112



TM 0627.07



4T450FIEN26-T  
4T 450 Fi EN - 4S 450 Fi EN

TELAIO  
FRAME

8

Pos.	Codice	Q.tà	Note	Descrizione	Description
1	F73525	1		TELAIO 4T 450/530 EN/SMR MY 2022	
2	F73528	1		CODINO TELAIIO 4T MONO MY 22/24CON PREDISPOSIZIONE GOMMINO	
3	49364	4		VITE TE F/R 8X25 Ch.10	BOLT, EH 8X25 To.10 mm
4	49724	6		VITE TE F/R 8X21	BOLT TE F/R 8x21
5	49792	1		VITE TE F/R 10X54 1.25 T.AL08	BOLT, M10X1.25X54 ALU.FRAME08
6	49681	3		DADO M 10 X 1,25 CH 14 FLANG. AUTOBLOCK	NUT M10x1,25 FLANGED SELF-LOCK
7	49789	2		VITE TE F/R 10X131 1.25 Ch.10	BOLT M10X1,25X131 ALU FRAME
10	73161	2		PERNO PEDANE MY2022	
11	49382	2		VITE ESAG.FLANG.M12X25 T.A.	BOLT 12 X 25 FLANGE
12	49383	2		VITE ESAG.FLANG.M8X1.25X20 T.A	BOLT 8 X 20 FLANGE
13	49612	2		RONDELLA ACCIAIO 10	STEEL WASHER 10
14	73036	2		COPIGLIA PEDANA M. 92/01	COTTER PIN FOOTPEG 92/01
15	F16481	2		MOLLA RITORNO PEDANA MY2022	
16	F73507	1		PEDANA SINISTRA MY2022	
17	F73509	1		SUPPORTO PEDANA SINISTRA MY2022	
18	F73506	1		PEDANA DESTRA MY2022	
19	F73508	1		SUPPORTO PEDANA DESTRA MY2022	
20	16021	2		MOLLA PASSAGGIO CAVI MOTO (SX)	GROMMET BIKES LF
21	49597	2		VITE TBCEI 4 x 8 UNI 7380	BOLT TBCE 4 x 8
22	49367	1		VITE TE F/R 8X45 Ch.10	BOLT 8X45 T.10mm
23	67088	1		ROTELLA CATENA M. 90/07	CHAIN ROLLER M.90/07
24	F50842	1		PARAMOTORE 450-530 MX-END 2022	
25	F49861	2		VITE PARACOPPA E.I. M6X16 FL.	BOLT, GUARD ENGINE 6X16
26	49611	1		RONDELLA ACCIAIO 8	WASHER STEEL 8mm
27	49445	1		VITE TE 8X50 UNI 5737	BOLT EH 8X50
28	F26739	1		PIASTRINO DESTRO FISSAGGIO TESTA 4T 450 EN/SMR	
29	F26740	1		PIASTRINO SINISTRO FISSAGGIO TESTA 4T 450 EN/SMR	

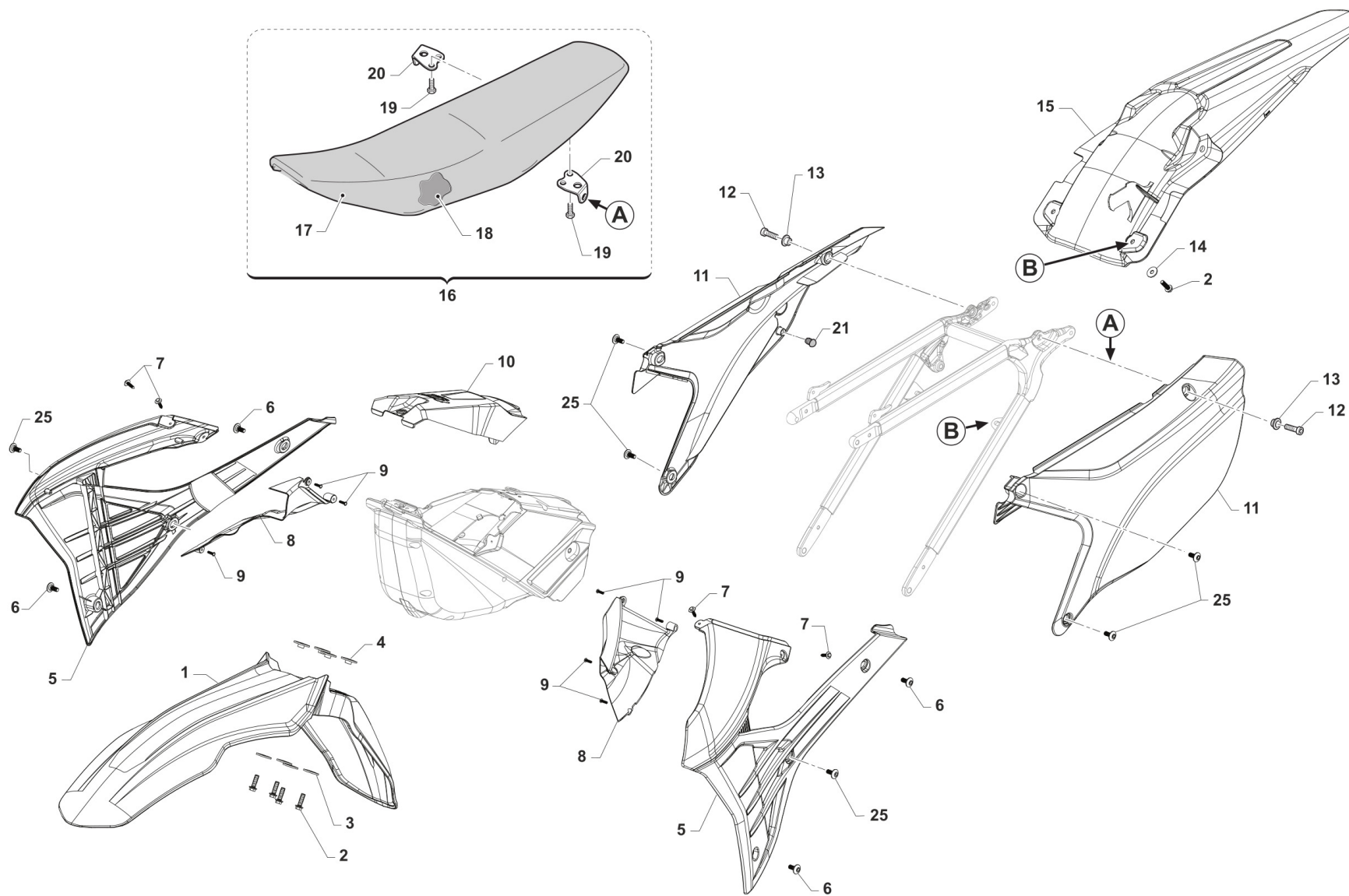


4T450FIEN26-T  
4T 450 Fi EN - 4S 450 Fi EN

TELAIO  
FRAME

8

Pos.	Codice	Q.tà	Note	Descrizione	Description
30	51097	1		FASCETTA 148x3.6 PER FISSAGGI SU TELAI 150-55850	
31	F73511	1		SUPPORTO CAVALLETTO MY 2022->	
32	49501	2		VITE TCEI 8X25 UNI 5931	BOLT TCEI 8X25
33	F26429	1		BOCCOLA CAVALLETTO M.2008->	BUSH, SIDE STAND MOD. 08/->
34	F49062	1		VITE FISSAGGIO ASTA CAVALLETTO MY 2022	
35	F73512	1		ASTA CAVALLETTO EN MY 2022	
36	F73450	1		PIASTRINO ATT.MOLLA CAVALL.08	BRACKET, SIDE STAND SPRING 08
37	16034.21	1		MOLLA CAVALLETTO LAT. INT+EST EN/SMR 08/->	SPRINGS SIDE STAND EN/SMR MY 08->
38	F73513	1		CAVALLETTO COMPLETO EN MY 2022	
39	21077	1		ELASTICO FISS. CAVALLETTO ENDURO M20->	
40	50512	1		KIT BLOCCASTERZO 08 COMPLETO SEDE+BLOCCHETTO +CHIAVE+VITI	STEERING LOCK M.08-> ASSY
41	48263	1		DISTANZIALE INTERNO FISSAGGIO SCARICO	
42	21142	1		GOMMINO SILENZIATORE HGS MY22->	
43	48264	1		DISTANZIALE ESTERNO FISSAGGIO SCARICO	



TM 0605.01



4T450FIEN26-T  
4T 450 Fi EN - 4S 450 Fi EN

PLASTICHE E SELLA  
PLASTIC AND SEAT

9

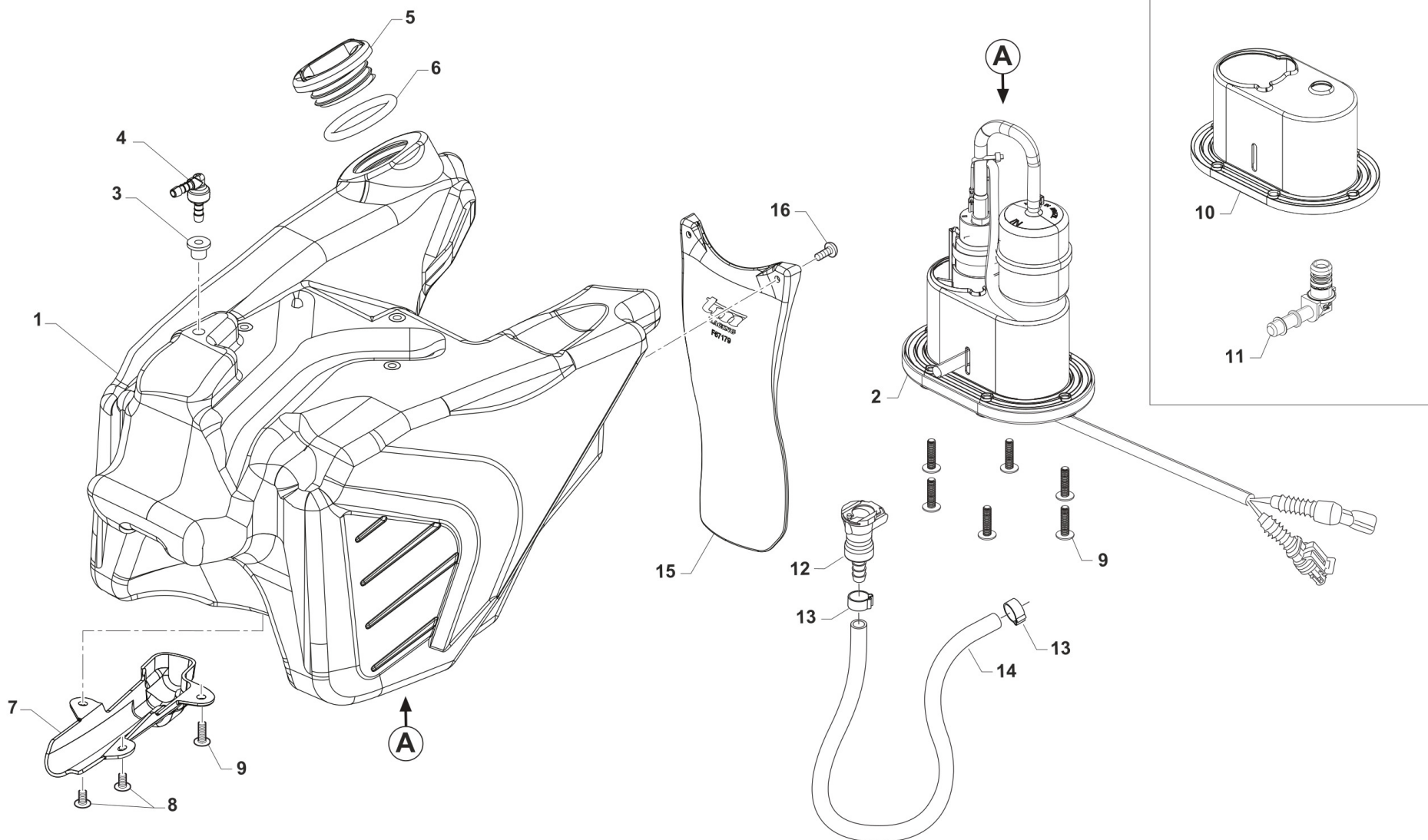
Pos.	Codice	Q.tà	Note	Descrizione	Description
1	67453	1		PARAFANGO ANTERIORE MY25 QUANTUM	MUDGUARD, FRONT 2022/2025 QUANTUM GREY
2	49356	6		VITE TE F/R 6X20 Ch.8	BOLT 6X20 T.8
3	26084	4		RONDELLA PARAF ANT. 24x2 M.08	WASHER, FRONT FENDER 24 X 2
4	26132	4		BOCCOLA PARAF. ANT. M12	BUSH, FRONT MUDGUARD M.12->
5	67470	1		SET CONV. ARIA 2T/4T MY25 QUANTUM	RAD SHROUDS SET, 2S+4S, RH+LH, MY25 - QUANTUM GREY
6	49574	4		VITE TBCE 6 x 12 PLASTICHE	BOLT TBCE 6x12
7	49192	4		VITE TE COL.LARG.TL107 A 4X16 Chrm SERB.PL. MY22	
8	67271.22	1		SET CONVOGL. INTERNI 2T / 4T MY22->	
9	49984	7		VITE TCBL 3.0 X 12 FL. PLASTICA	BOLT
10	67465	1		COPERCHIO CASSA FILTRO MOTO 4T MY25 QUANTUM	
11	67473	1		SET LATER. P.NUM. 4T MONO MY25 QUANTUM	
12	49484	2		VITE TCEI 6X20	BOLT TCEI 6X20
13	26059	2		BOCCOLA FISS.SELLA & LAT.03/->	COLLAR, SEAT/SIDE PANEL 03/->
14	49117	2		RONDELLA 18X6.5X2 X RADIAT.08	WASHER 18X6.5X2 RADIATOR 08
15	67457	1		PARAFANGO POSTERIORE 2T/4T MY25 QUANTUM	MUDGUARD, REAR MY 25 - QUANTUM GREY
16	67469	1		SELLA M.2025 2T/4T CPL QUANTUMTERMOSALDATA	SEAT 2S/4S STANDARD MY 2025 QUANTUM
17	67477	1		COPERTINA SELLA M.2025 2T/4T QUANTUMTERMOSALDATA	
18	67361	1		SPUGNA SELLA CROSS/ENDURO MOD.2022 2T/4T X 67363	
19	49435	4		VITE TE 5X12	SCREW TE 5X12
20	73047	2		PIASTRINO AL ATT.SELLA POSTER.	PLATE AI REAR SEAT HOLDER
21	21141	2		GOMMINO DIST.FIANC/SCARICO M22	
25	490010	6		VITE TBCE 6 x 9 PLASTICHE	



4T450FIEN26-T  
4T 450 Fi EN - 4S 450 Fi EN

SERBATOIO  
FUEL TANK

10



TM 0614



4T450FIEN26-T  
4T 450 Fi EN - 4S 450 Fi EN

SERBATOIO  
FUEL TANK

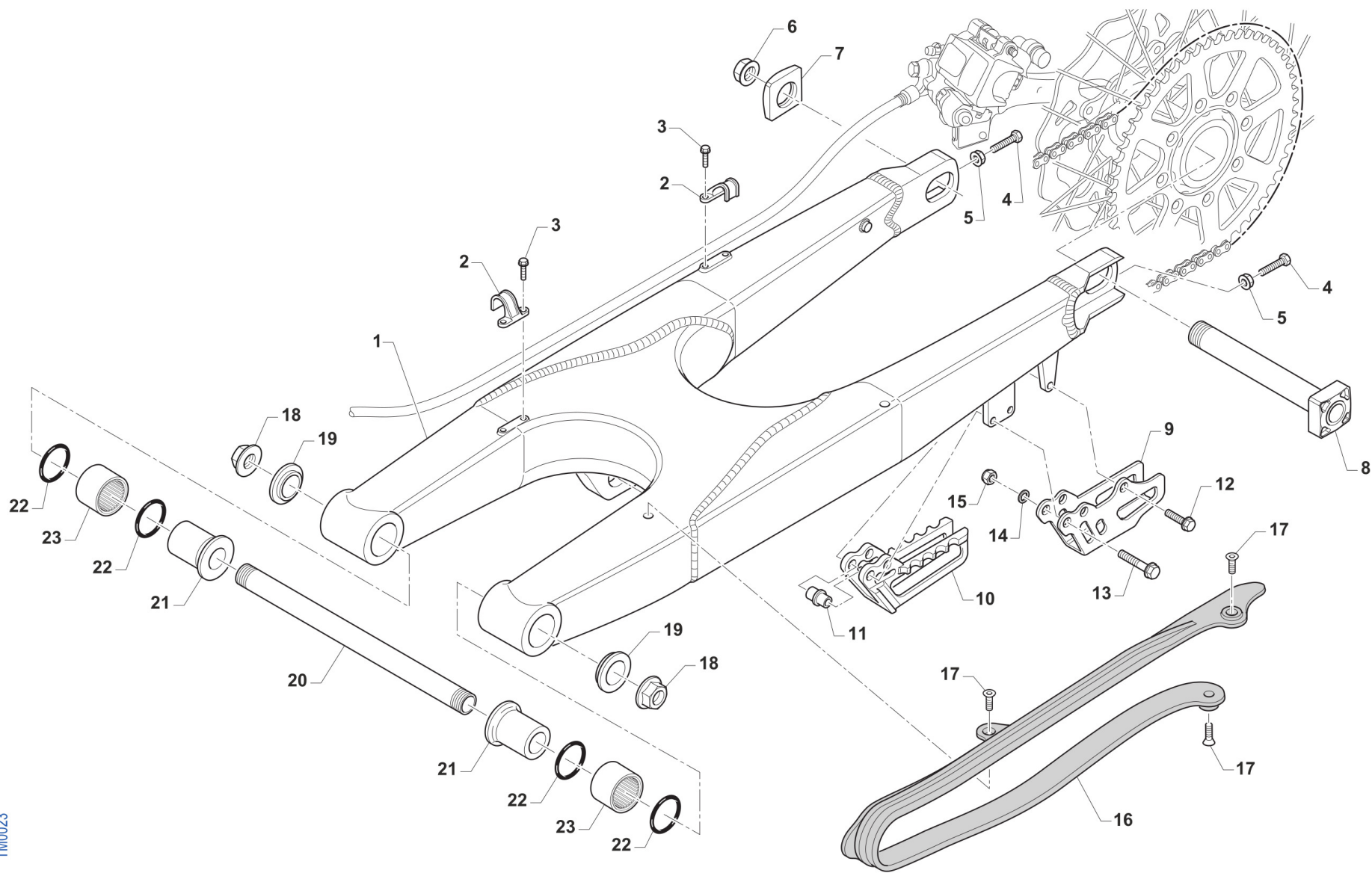
10

Pos.	Codice	Q.tà	Note	Descrizione	Description
1	F65139	1		SERBATOIO BENZINA MOTO 4T MY2022 TRASP.	
2	F08491.1	1		GRUPPO ASP. CARB. 3.5 BAR +/-TERM. MY 2022EN/SMR CON RISERVA	
3	65035.2	1		PASSACAVO IN GOMMA DIAM.4,5 ARK DIS.174x KIT 65035	
4	F65142	1		VALVOLA DI SFIATO SERBATOIO MOTO 4T MY22	
5	F65140	1		TAPPO SERBATOIO 4T MY2022	
6	12039	1		O RING X TAPPO SERBATOIO 4T 15	O-RING TANK CAP F.S. 15->
7	F65136	1		CARTER CAVI POMPA BENZINA	PROTECTION, FUEL PUMP CABLES
8	49448	2		VITE TBCEI 5X10 UNI 7380	BOLT TBCEI 5X10 10.9
9	49754	7		VITE TBEI 5X20 TORX	BOLT TBCIX 5x20
10	F05866	1		KIT RICAMBIO GUARNIZIONE POMPA BENZINA	
11	F08122	1		RACC.MASCHIO GR.P.BENZ.BITRON	JOINT, FUEL PUMP Fi
12	F08370	1		RACCORDO SG.RAPIDO CPC 5/16 C/V	JOINT CPC 5/16 C/V
13	F51112	2		FASCETTA OETIKER 016,0-706R	CLAMP OETIKER 016,0-706R
14	67036	1		TUBO ANTIBENZINA 8 x 14	HOSE, OIL/FUEL 8x14
15	F67179	1		PROTEZIONE MONO MOTO 4T MY22	
16	490007	2		VITE TBCEI 5 x 12 7380 FLANGE 10.9	BOLT TBCEI 5 x 12 7380 FLANGE



4T450FIEN26-T  
4T 450 Fi EN - 4S 450 Fi EN

# FORCELLONE SWINGARM



TM0023



4T450FIEN26-T  
4T 450 Fi EN - 4S 450 Fi EN

FORCELLONE  
SWINGARM

11

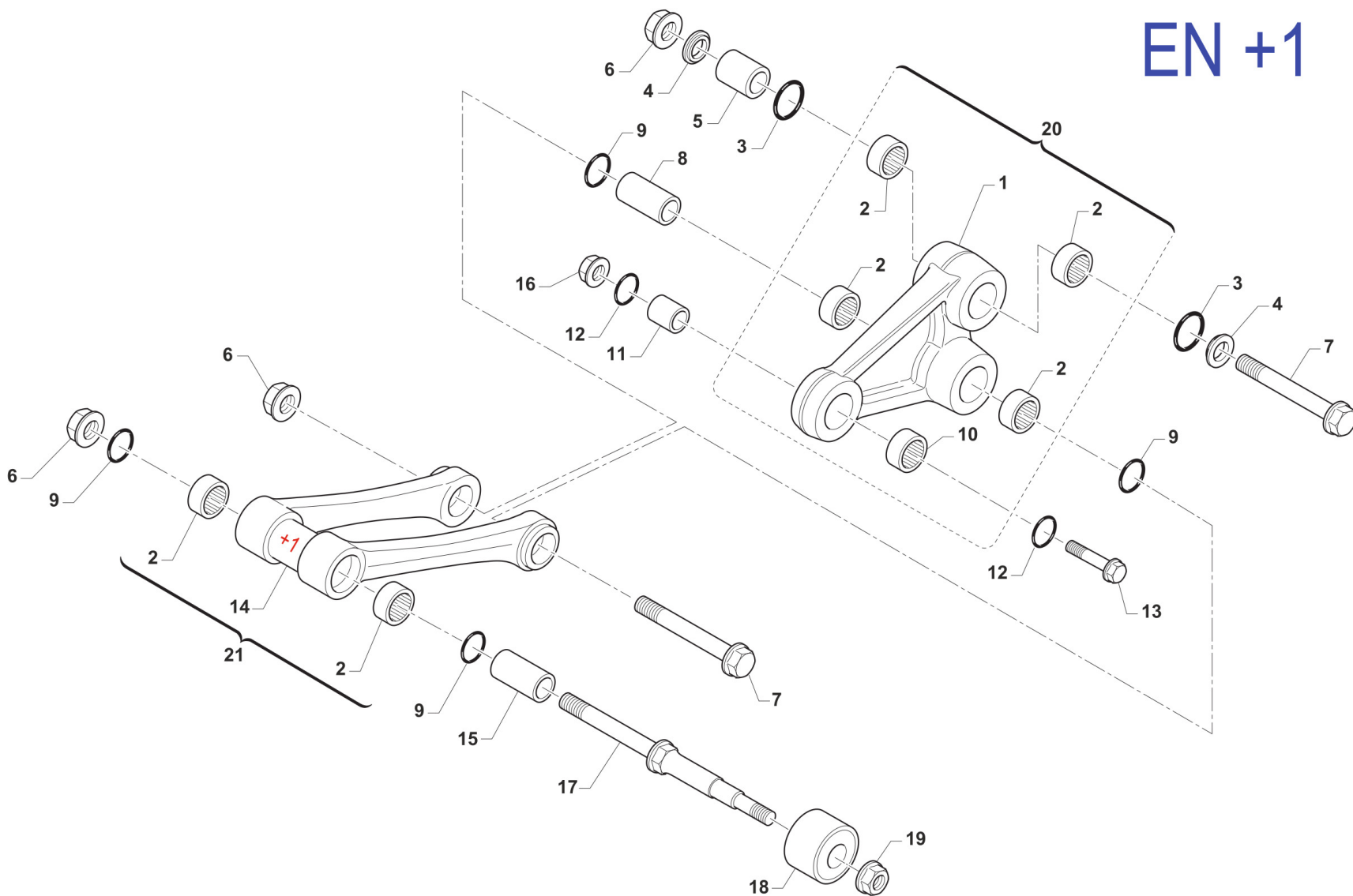
Pos.	Codice	Q.tà	Note	Descrizione	Description
1	73099.15	1		FORCELLONE MOTO 2T/4T MY 15/22	SWINGARM 2S MY 15
2	67054	2		FERMA TUBO FRENO POST. M.97/->	RETAIN CLAMP BRAKE HOSE 97/->
3	49794	4		VITE AUTOFOR. 4.8X16 7504	BOLT, 4,8 X 16 7504
4	F49976	2		VITE TE 8X45 ES.10 FORCELLONE	SCREW TE 8X45 SWINGARM
5	49640	2		DADO M 8 FLANGIATO CHIAVE 12	NUT 8mm, FLANGE
6	49123	1		DADO PERNO RUOTA POST. M.2015	NUT, REAR WHEEL AXLE 15 ->
7	70140.15	1		TENDICATENA 2015 SENZA FILETTO	ADJ BLOCK, CHAIN 15-THREADLESS
8	74055.15	1		PERNO RUOTA POSTERIORE M.15->	AXLE, REAR WHEEL M.15->
9	73130	1		PASSACATENA ALLUM. MOD. 11/->	PLATE, CHAIN GUIDE M. 11/->
10	67102.10	1		PASSACATENA NYLON MOD.2011	GUIDE, CHAIN M. 11/->
11	26092	1		BOCCOLA PASSACATENA M.11->	BUSH, CHAINGUIDE M11->
12	49370	1		VITE TE F/R 6X12	BOLT 6X12
13	49362	2		VITE TE F/R 6X50 Ch.8	BOLT 6X50 T.8
14	49603	2		RONDELLA M 6,4 X 12 X 1,6	WASHER 6x12
15	49638	2		DADO M 6 ALTO AUTOBLOCCANTE	NUT 6mm, HIGHT SELF-LOCKING
16	67099.15	1		PROTEZIONE FORCELLONE M.2015	SWINGHARM PROTECTION M.2015
17	49396	3		VITE TSEI 5X10	BOLT TSEI 5X10
18	49095	2		DADO 16 FORCELLONE MOTO 95/10	NUT, SWINGARM AXLE M. 95/05
19	73115	2		COPERCHIO BOCCOLA FORC. M08->	COLLAR, SWINGARM M.08
20	74056	1		PERNO FORCELLONE MOD. 08/->	AXLE SWINGARM M. 08->
21	73112	2		BOCCOLA FORC. 08/-> F16(30X49)	BUSH, SWINGARM 08-> H.16 30X49
22	12102	4		O RING LEVERAGGIO & FORCELLONE	O-RING, LINKAGE & SWINGARM
23	19043	2		ASTUCCIO A RULLI HK 2030	NEEDLE CAGE HK 20/30



4T450FIEN26-T  
4T 450 Fi EN - 4S 450 Fi EN

LEVERAGGI EN +1  
LINKAGE EN +1

EN +1



TM 0645.01



4T450FIEN26-T  
4T 450 Fi EN - 4S 450 Fi EN

LEVERAGGI EN +1  
LINKAGE EN +1

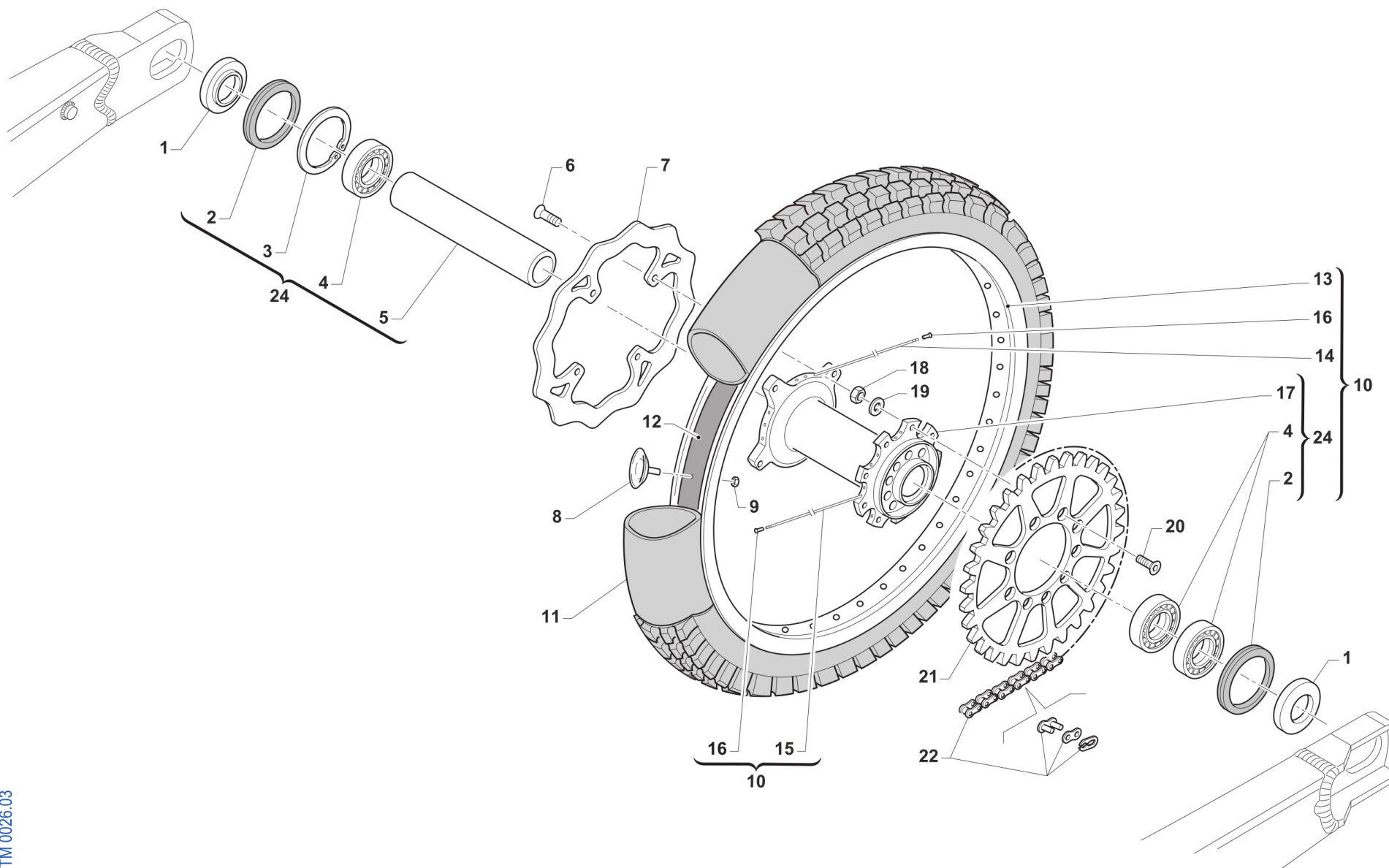
12

Pos.	Codice	Q.tà	Note	Descrizione	Description
1	73145	1		TRIANGOLO SOSP. MY 15/23 NUDO	ARM
2	19106	6		GABBIA RULLINI DL 2016 KYU	BUSH NEEDLE CAGE 26 X 20 H16
3	12010	2		O RING ORM 0240-30 TRIANG.05/6	O-RING, LINKAGE 05/6 ORM 0240-30
4	73075	2		COPERCHIO BOCCOLA TRIANG '05	COVER, BUSH
5	73211	1		BOCCOLA TRIANGOLO LEVER.05/->	BUSH, ARM RELAY 12X20X38
6	49194	3		DADO M12X1.25 FLANG. CH14	
7	49345	2		VITE TE F/R 12X90 1.25 Ch13	BOLT TE F/R 12X90 1.25 T.13
8	F73416	1		BOCCOLA TRIANG. 20x48F12 05/->	COLLAR, ROD M.04 12x20x48
9	12102	4		O RING LEVERAGGIO & FORCELLONE	O-RING, LINKAGE & SWINGARM
10	19101	1		GABBIA RULLINI DL 1812 KYU	BUSH NEEDLE CAGE DL 18/12
11	73214	1		BOCCOLA 18 X 20 F.10 TRIANGOLO 07/->	COLLAR, ARM ASSY 10 18X20 M.07
12	F12312	2		O RING FILTRO OLIO P.ASPIRAZ.+LEV.	O-RING, OIL FILTER
13	49347.1	1		VITE TE F/R 10X43 1.25 Ch.13	BOLT TE F/R 10X43 1.25 T.10
14	73168	1		TRAPEZIO SOSP. MY 15/25 +1 NUDO	
15	73204	1		BOCCOLA TRAPEZIO 20 x 74 F.12	BUSHING 20x74x12, ROD SUSP. 05
16	F49874	1		DADO M 10 X 1,25 CH 12 FLANGIATO	NUT FLANGED M 10x1,25 T.12mm
17	49790	1		PERNO SNODO BIELLA/ROT.CAT.M08	PIVOT, LINKAGE/ROLLER 08/->
18	67088.08	1		ROTELLA CATENA M. 08/->	CHAIN ROLLER 08/->
19	49676	1		DADO M 6X1 FLANG. AUTOBL.ACC.	NUT, FLANGED M6 X 1 S.B.
20	73016.15	1		TRIANGOLO SOSP. MY 15/22 CPL	ARM ASSY RELAY M.Y.2015
21	73169	1		TRAPEZIO SOSP. [ + 1 ] MY 15/25 CPL	



4T450FIEN26-T  
4T 450 Fi EN - 4S 450 Fi EN

RUOTA POSTERIORE 18x2.15  
REAR WHEEL 18x2.15



TM 0026.03



4T450FIEN26-T  
4T 450 Fi EN - 4S 450 Fi EN

RUOTA POSTERIORE 18x2.15  
REAR WHEEL 18x2.15

13

Pos.	Codice	Q.tà	Note	Descrizione	Description
1	70241	2		DISTANZ. RUOTA PST. 2015 DX/SX	COLLAR REAR WHEEL LE.RI. 15->
2	04074	2		PARAPOLVERE RUOTA POST. MOD.15->	DUST SEAL, REAR WHEEL 15 ->
3	49257	1		SEEGER I 43 mm	CIRCLIP D. 43 INTERNAL
4	03071	3		CUSCINETTO RUOTA ANTER. + POSTER.	BUSH, FRONT WHEEL MA50 61905
5	70240	1		DIST.INT.MOZZO RUOTA PST.15 3C 114,2x31 SP2.7	SPACER INT.REAR WHEEL M.15->
6	49336	4		VITE TE/FLANG. 6X16 ACC. 10.9	BOLT 6X16 FLANGED STEEL 10.9
7	69261	1		DISCO FRENO PST.2015 240x114 DF840W	DISC, REAR BRAKE 15-> 240X114
8	70028	1		FERMA COPERTURA POST. 2.15	STOPPER 2.15
9	49640	1		DADO M 8 FLANGIATO CHIAVE 12	NUT 8mm, FLANGE
10	70147.15	1		CERCHIO PST. CPL 18x2.15 2015	REAR RIM ASSY 18X2.15 M.15->
11	80151	1		CAMERA ARIA POSTERIORE 18	TUBE, TYRE 18
12	70033	1		FLAP RUOTA POSTERIORE 18	FLAP REAR WHEEL 18
13	70055	1		CERCHIO POST 18x2.15 TAKASAGO BLU	REAR RIM 2.15x18 Takasago
14	70270	18		RAGGIO R.PST.4.0/3.3/4.0 X 192	SPOKE R.WHEEL 4.0/3.3/4.0 X192
15	70271	18		RAGGIO R.PST.4.0/3.3/4.0 X 199	SPOKE R.WHEEL 4.0/3.3/4.0 X199
16	70062	36		NIPPLO ACCIAIO 4	SPOKE NIPPLE 4 mm
17	70316	1		MOZZO POST NUDO VMX MY2021	
18	49643	9		DADO M 8 BASSO AUTOBLOCCANTE	NUT 8mm, LOW SELF-LOCKING
19	49611	9		RONDELLA ACCIAIO 8	WASHER STEEL 8mm
20	49421	9		VITE TSEI 8X25	BOLT TSEI 8X25
21	70103.48	1		CORONA CATENA Z 48 M. 86/->	SPROCKET 48T, REAR, M.86/->
21	70103.49	1		CORONA CATENA Z 49 M. 86/->	SPROCKET 49T, REAR, M.86/->
21	70103.50	1		CORONA CATENA Z 50 M. 86/->	SPROCKET 50T, REAR, M.86/->
21	70103.51	1		CORONA CATENA Z 51 M. 86/->	SPROCKET 51T, REAR, M.86/->
21	70103.52	1		CORONA CATENA Z 52 M. 86/->	SPROCKET 52T, REAR, M.86/->
21	70103.53	1		CORONA CATENA Z 53 M. 86/->	SPROCKET 53T, REAR, M.86/->
21	70290.50	1		CORONA CATENA Z 50 M. 86/-> ZF	SPROCKET 50T MY 86-> ZF
21	70290.51	1		CORONA CATENA Z 51 M. 86/-> ZF	SPROCKET 51T MY 86-> ZF



4T450FIEN26-T  
4T 450 Fi EN - 4S 450 Fi EN

RUOTA POSTERIORE 18x2.15  
REAR WHEEL 18x2.15

13

Pos.	Codice	Q.tà	Note	Descrizione	Description
21	70290.52	1		CORONA CATENA Z 52 M. 86/-> ZF	SPROCKET 52T MY 86-> ZF
21	70291.48	1		CORONA BLU/NERA ALLU/ACCIAIO Z48 ZF	SPROCKET BLUE/BLACK ALU/STEEL 48 T ZF
21	70291.49	1		CORONA BLU/NERA ALLU/ACCIAIO Z49 ZF	SPROCKET BLUE/BLACK ALU/STEEL 49 T ZF
21	70291.50	1		CORONA BLU/NERA ALLU/ACCIAIO Z50 ZF	SPROCKET BLUE/BLACK ALU/STEEL Z50 ZF
21	70291.51	1		CORONA BLU/NERA ALLU/ACCIAIO Z51 ZF	SPROCKET BLUE/BLACK ALU/STEEL 51T ZF
21	70291.52	1		CORONA BLU/NERA ALLU/ACCIAIO Z52 ZF	SPROCKET BLUE/BLACK ALU/STEEL 52 T ZF
22	70141.1	1		CATENA REGINA 116MG 135ZSA APERTA C/GTO TIPO 42	
22	70351	1		CATENA RK 520 MXU L114 CL W/CLIP	
22	70352	1		CATENA RK 520 MXU L116 CL W/CLIP	
22	70353	1		CATENA RK 520 MXU L120 CL W/CLIP	
24	70119.15	1		MOZZO POSTERIORE 2015 CPL	REAR HUB 2015 -> ASSY





4T450FIEN26-T  
4T 450 Fi EN - 4S 450 Fi EN

FRENO POSTERIORE  
REAR BRAKE

14

Pos.	Codice	Q.tà	Note	Descrizione	Description
1	69345	1		POMPA FRENO POST 05/-> INTEGR (OBLO' 2020)	
2	69321	1		KIT TAPPO/GUARN. POMPA PST NIS	CAP AND RUBBER
3	69084.05	1		KIT REV. PIST.POMPA POST.05/->	KIT, REV. REAR MASTER CYL.05->
4	49636	1		DADO M 6	NUT M6
5	69125	1		FORCHETTINA POMPA FRENO POS.05	FORK, REAR BRAKE 05
6	69034	4		RONDELLA X BULLONE FREN B22001	WASHER B22001, BRAKE HOSE
7	69379	1		TUBO FRENO POSTERIORE 2T/4T M.2022	
8	68061	1		INTERRUT. IDR. STOP NISSIN 90 GRADI	SWITCH,IDR.NISSIN 10x1.25 1/12
9	69012.05	1		PERNO SNODO FRENO POST. MY 05->	PIN REAR BRAKE MASTER CYL. MY 05->
10	68997	1		COPIGLIA PEDALE FRENO	COTTER PIN BRAKE PEDAL
11	69450	1		PEDALE F.POST 2T 250/300 + 4T 450/530 MY 22	BRAKE PEDAL, REAR 2S 250/300 + 4S 450/530 MY 22
12	49629	1		DADO M 5 ALTO AUTOBLOCCANTE	NUT 5mm, HIGHT SELF-LOCKING
13	69002.99	1		PARTE ANT.PED.FRENO POST.99/->	PIT, RR BRAKE PEDAL 99/->
14	49400	1		VITE TSEI 5X14	BOLT TSEI 5x14
15	F49063	1		VITE FISSAGGIO PEDALE FRENO MY22	
16	12110	2		O RING PEDALE FRENO POST. MY22->	
17	F16482	1		MOLLA PEDALE FRENO MY 22	
18	F48403	1		RONDELLA PEDALE FRENO MY22	
19	69094	1		BULLONE 10X1.25 T.FRENO NISSIN 03	BOLT,10X1,25 BRAKE HOSE NISSIN
20	69185.15	1		PINZA FRENO POST. 15-> NISSIN	BRAKE CALIPER, REAR, M. 15/->
21	69087	1		GRANO PERNO 69088 NISSIN 01/11	SCREW PLUG FOR BRAKE PIN 01/07
22	69088	1		PERNO PAST. POST NISSIN 01/11	PIN, RR BRAKE NISSIN M. 01/->
23	69096.05	1		PASTIGLIE FRENO POST. M.05-> NISSIN	PAD ASSY, RR BRAKE NISSIN MY 05->
24	69285.15	1		SUPPORTO PINZA D. 25 FRENO POST NISSIN 15/->	HOLDER, REAR BRAKE CALIPER
25	69309	1		PIASTR.FERMA P.NISSIN RETAINER	RETAINER BRAKE PADS NISSIN
26	69257	1		PERNO/VITE PINZA POST.01/->	PIN, RR BRAKE CALIPER 01-> NI.
27	69086	1		LAMIERINO PINZA POST NIS 01/->	PLATE, REAR BRAKE CALIPER 01->
28	69258	1		KIT REV.GOMM. PINZA PST 05/->	REAR BRAKE CALIPER RUBBER REVIEW 05/->



4T450FIEN26-T  
4T 450 Fi EN - 4S 450 Fi EN

FRENO POSTERIORE  
REAR BRAKE

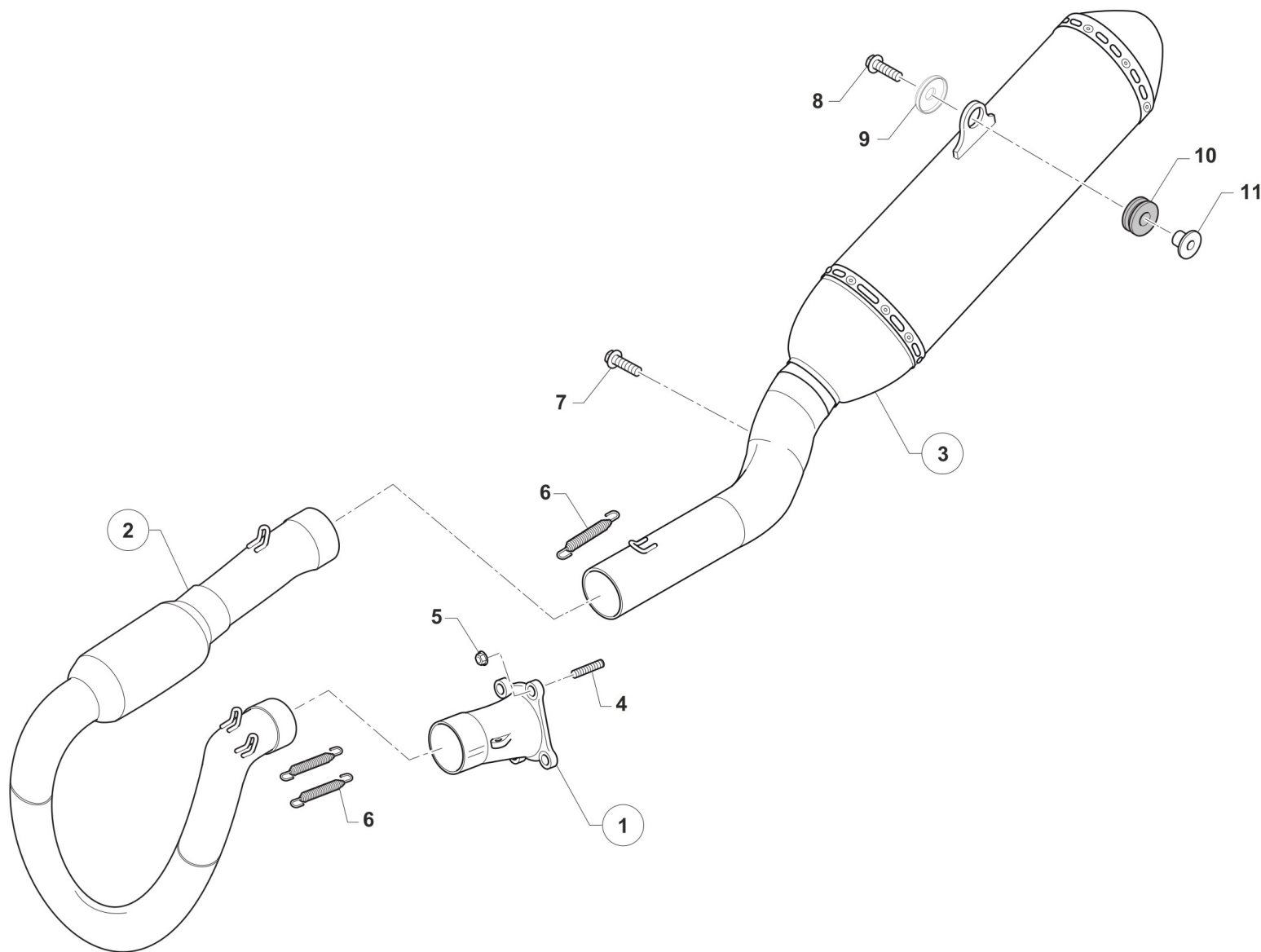
14

Pos.	Codice	Q.tà	Note	Descrizione	Description
29	69232	1		PERNO X PINZA FRENO POST.05/12	PIN, RR BRAKE CALIPER 05/12
30	49574	2		VITE TBCE 6 x 12 PLASTICHE	BOLT TBCE 6x12



4T450FIEN26-T  
4T 450 Fi EN - 4S 450 Fi EN

# SCARICO EXHAUST SYSTEM



TM 0641.04

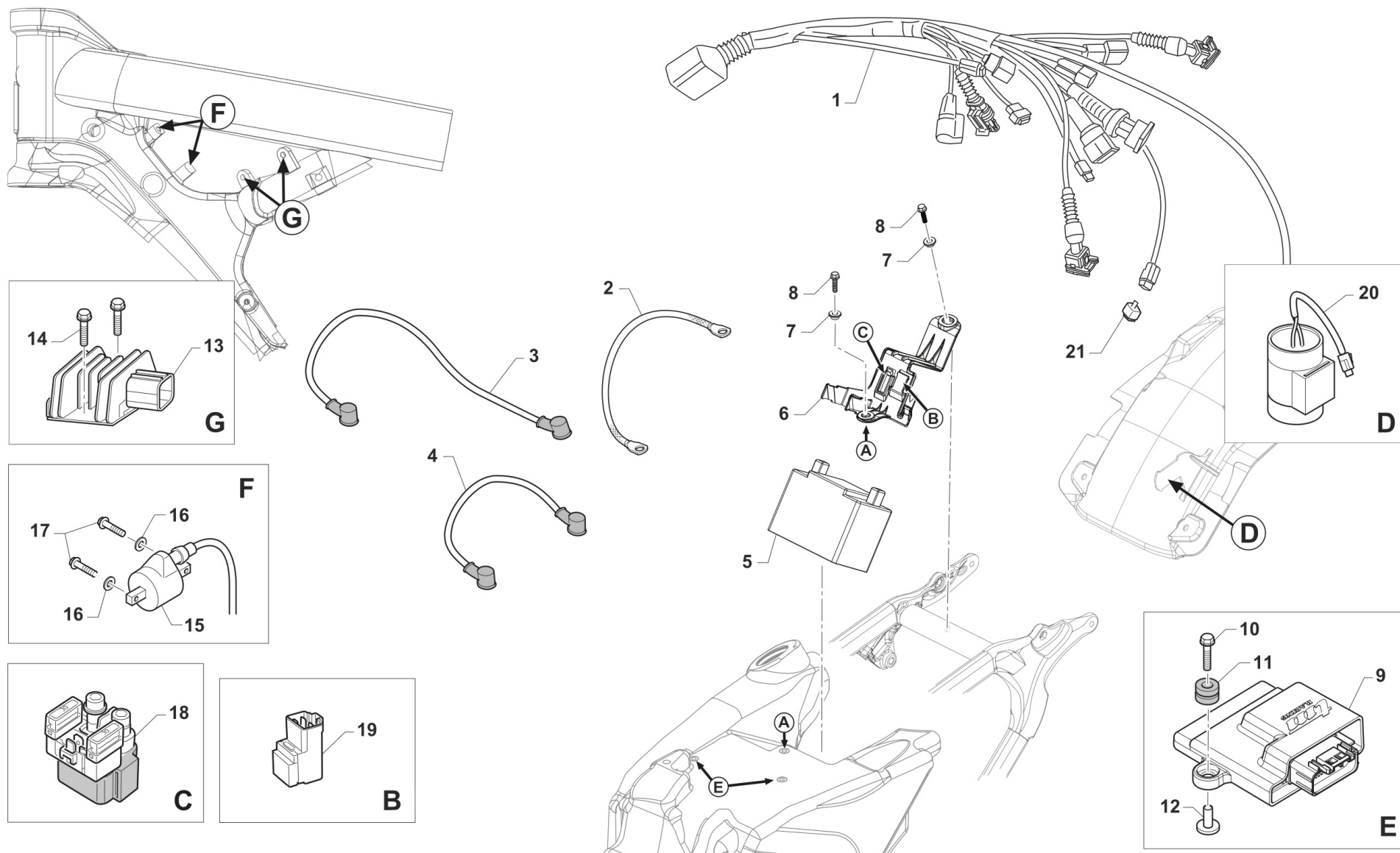


4T450FIEN26-T  
4T 450 Fi EN - 4S 450 Fi EN

SCARICO  
EXHAUST SYSTEM

15

Pos.	Codice	Q.tà	Note	Descrizione	Description
1	F27638	1		COLLETORE SCARICO 450 EN/SMR MY22 (MONO)	
2	27284	1		COLLET. SEC. 450 4T MX/EN/SMR MY2025	
3	27298	1		SILENZIATORE 250/300/450 4T EN/SMR MY2025	
4	49151	4		PRIGIONIERO M6X27,4 CARB.100	STUD M 6x27
5	49676	4		DADO M 6X1 FLANG. AUTOBL.ACC.	NUT, FLANGED M6 X 1 S.B.
6	F27476	3		MOLLA TR.SCARICO BICONICA 4T M08 MM42 ACCIAIO INOX	SPRING, EXHAUST MM42 INOX
7	490006	1		VITE TBCEI 8 x 20 ISO 7380 FLANGE 10.9	
8	49898	1		VITE TE F/R 8X30 Ch.10	
9	48264	1		DISTANZIALE ESTERNO FISSAGGIO SCARICO	
10	21142	1		GOMMINO SILENZIATORE HGS MY22->	
11	26196	1		BOCCOLA GOMMINO SILENZ. HGS MY22->	



TM 0621

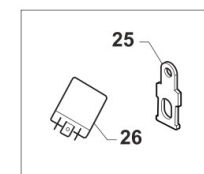
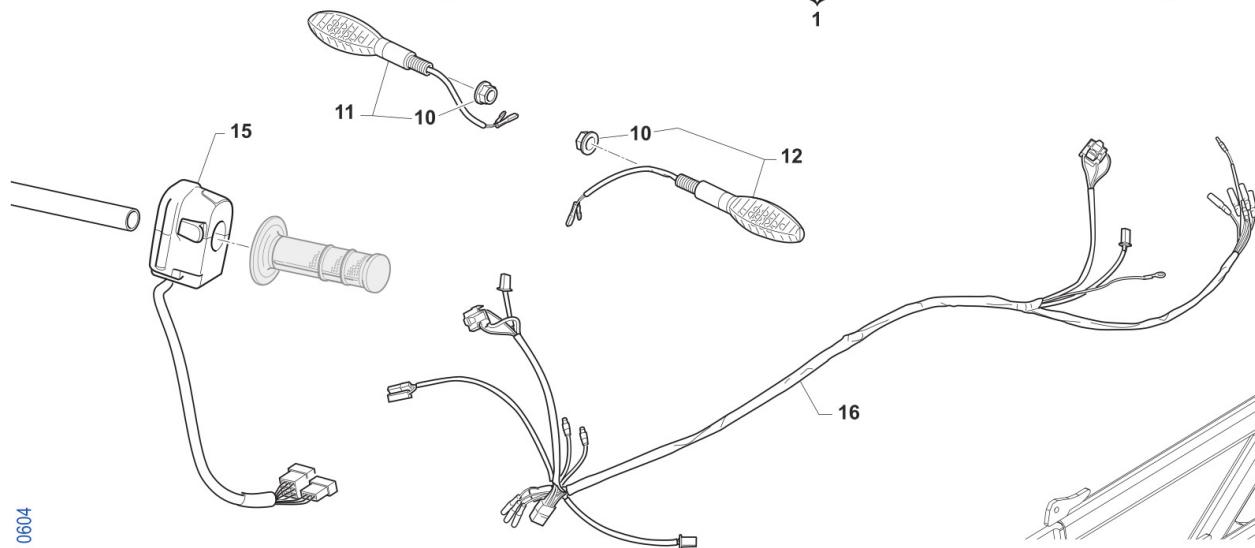
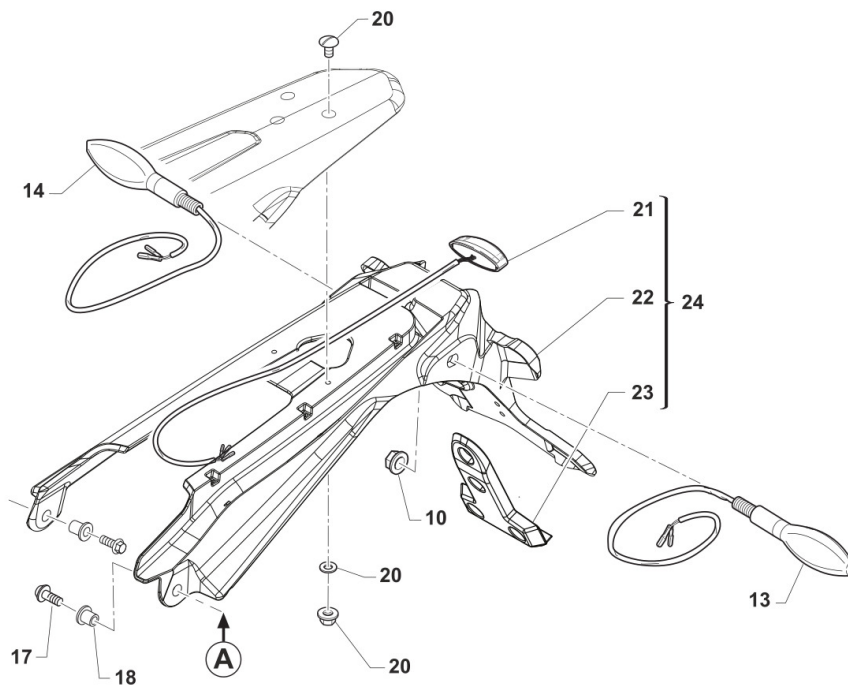
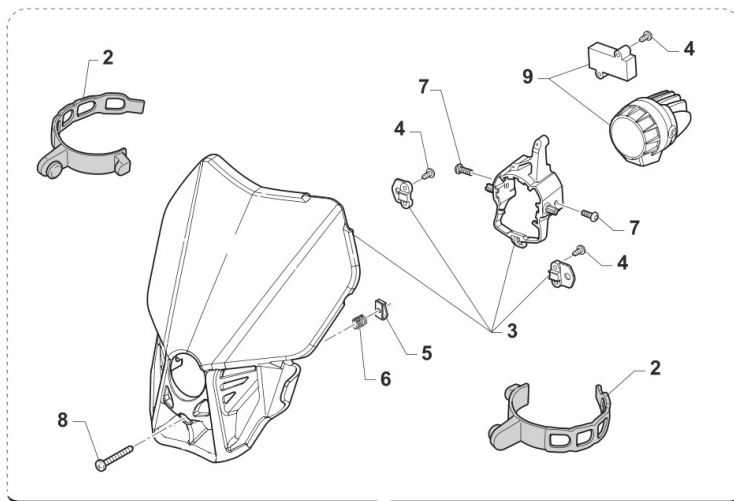


4T450FIEN26-T  
4T 450 Fi EN - 4S 450 Fi EN

CABLAGGI  
EXHAUST

16

Pos.	Codice	Q.tà	Note	Descrizione	Description
1	F68329	1		CABLAGGIO 4T 250/300/450/530 Fi MY2022	
2	50267	1		TRECCIA DI MASSA E.S. MY 22->	
3	F68334	1		CAVO BATTERIA NERO M. 2022	
4	F68333	1		CAVO BATTERIA ROSSO M. 2022	
5	68226	1		BATTERIA LITIO 12V 14AH	
5	68336	1		BATTERIA LITIO 12V ULT 1B	
5	68339	1		BATTERIA LFS-02 40 12.8V- 4.0Ah (+/-) 51.2Wh 113*70*85	
6	F68326	1		SUPPORTO COMPONENTI ELETTRICI MOTO 4T MY22	
7	26187	2		BOCCOLA FISSAGGIO PARAF/SUPP.COMP.ELET. MX/SMX MY22 15x6 F.6	
8	49374	2		VITE TB LARGA 5X20	BOLT TB 5X20
9	08123.0	1		CENTRALINA EN 450 4T 2025	
10	49913	2		VITE TE/FLANG. 5X20	
11	21045	2		GOMMINO C/CHILOM. & CDI 08/11	RUBBER, SPEEDOMETER/CDI 08/13
12	F26498	2		BOCCOLA CENTRALINA INIEZIONE F.5 H 12,5	
13	F15559	1		REGOLATORE KOKUSAN RX4513 ZERO SOSTITUISCE COD. F15476	REGULATOR KOKUSAN RX4513 REPLACE CODE F15476
14	49356	2		VITE TE F/R 6X20 Ch.8	BOLT 6X20 T.8
15	F15458	1		BOBINA KOKUSAN 4T MX PICCOLA	COIL, INGNITION KOK IG5132
16	49603	2		RONDELLA M 6,4 X 12 X 1,6	WASHER 6x12
17	49357	2		VITE TE F/R 6X25 Ch.8	BOLT 6X25 T.8
18	F68102	1		RELAY AVV. ELETTRICO 2 e 4 TEMPI	RELAY, ELECTRIC STARTER
19	F68212	1		RELAY AVV. ELETTRICO PAN. M2015->	RELAY EL. STARTER M.-> 15
20	F15557	1		CONDENSATORE SHINDENGEN ADP19	CAPACITOR SHINDENGEN ADP19
21	F68184	1		DIODO SDG	





4T450FIEN26-T  
4T 450 Fi EN - 4S 450 Fi EN

IMPIANTO LUCI  
LIGHTING SYSTEM

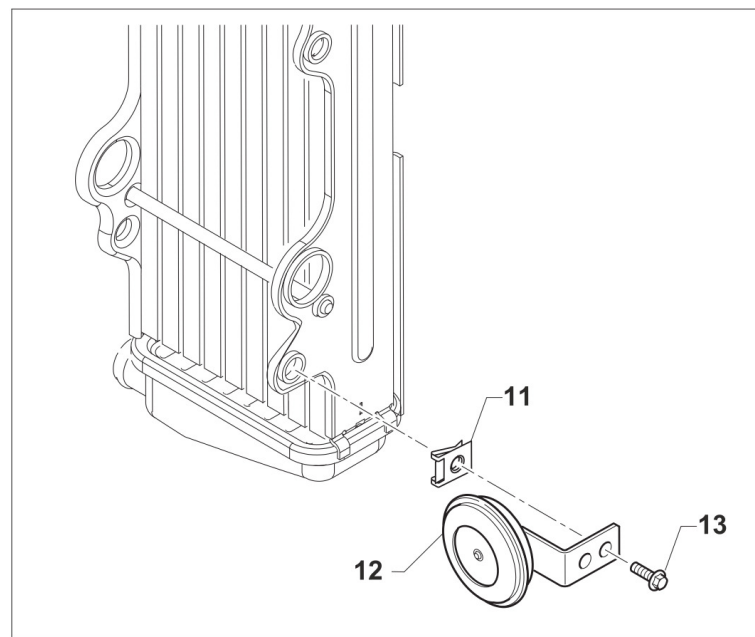
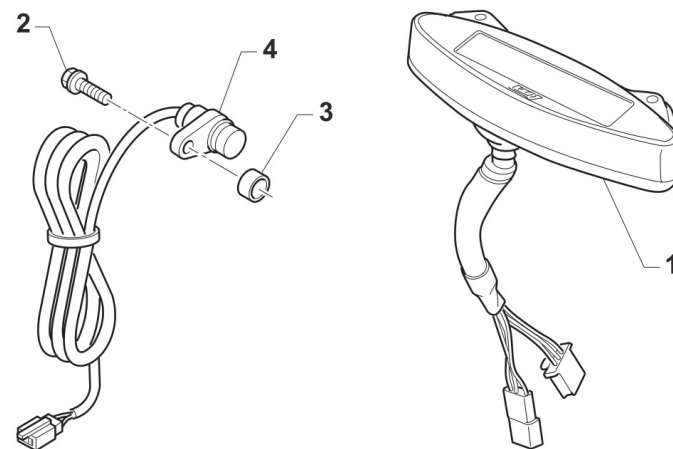
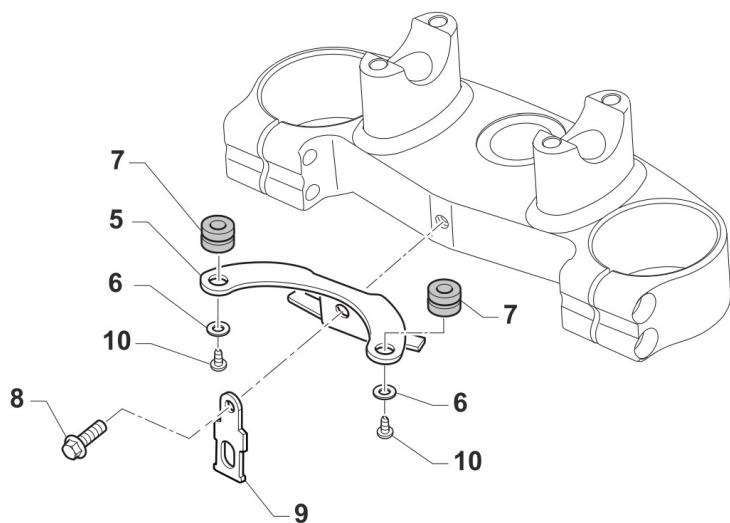
17

Pos.	Codice	Q.tà	Note	Descrizione	Description
1	67476	1		PORTAFARO CPL QUANTUM C/FARO LED MY25	
2	67220.7	2		ELASTICO PORTAFARO X 67043.12/20	ELASTIC FOR HEADLIGHT 67043.12 / 20
3	67468	1		PORTAFARO NUDO MY25 QUANTUM (X 67476)	HEADLIGHT MASK (ONLY PLASTIC) QUANTUM MY25
4	49802	5		VITE PARKER 3.5X 13	SCREW PARKER 3,5X13
5	51092	1		PRESTOLA M4 10 X 15	RANGE CHANGE MET.NUT M4 10 X 15
6	16072	1		MOLLA REGOLAZIONE FARO LED 2020 X 67043.20	SPRING
7	49785	2		VITE TBCE 5X 6	BOLT TBCE 5X6
8	49309	1		VITE T.C. 4X20	BOLT TC 4X20
9	68258	1		FANALE P.FARO A LED MY2020	
10	F49962	4		DADO M 10 X 1,25 CH 14 FLANGIATO	NUT, M10 X 1,25 KEY 14
11	68251.1	1		FRECCIA ANTERIORE LED DX	FLASHER LED, FRONT RH
12	68251.2	1		FRECCIA ANTERIORE LED SX	FLASHER LED, FRONT LH
13	68251.4	1		FRECCIA POSTERIORE LED SX	FLASHER LED, REAR LH
14	68251.3	1		FRECCIA POSTERIORE LED DX	FLASHER LED, REAR RH
15	68287	1		DISPOSITIVO DEVIOLUCI SX END. MY22->	
16	68292	1		CABLAGGIO LUCI 2T/4T ENDURO CPL MY2022	
17	49357	2		VITE TE F/R 6X25 Ch.8	BOLT 6X25 T.8
18	26186	2		BOCCOLA FISSAGGIO PARAF/P.TARGA EN/SMR MY22 18x12.8 F.6	
19	49676	2		DADO M 6X1 FLANG. AUTOBL.ACC.	NUT, FLANGED M6 X 1 S.B.
20	49277	1		KIT VITI PORTATARGA MY 2022	
21	67351	1		FANALINO POST. LED KOSO HAWKEYE	
22	F67180	1		PORTATARGA MY2022 NUDO	
23	F67181	1		SUPPORTO CATADIOTTRO MY2022	
24	F67208	1		PORTATARGA MY2022 COMPLETO	
25	F26717	1		SUPPORTO RELE' FRECCIE LED 2020	HOLDER
26	68250	1		CENTRALINA INTERM.FREC. 2019 Lampade led	CDI, FLASHER



4T450FIEN26-T  
4T 450 Fi EN - 4S 450 Fi EN

CONTA KM + CLACSON  
SPEEDOMETER + HORN



TM0609



4T450FIEN26-T  
4T 450 Fi EN - 4S 450 Fi EN

CONTA KM + CLACSON  
SPEEDOMETER + HORN

18

Pos.	Codice	Q.tà	Note	Descrizione	Description
1	64134	1		CONTACHILOMETRI DIG. M.22-> SENZA CABL. SENSOR.	
2	49356	1		VITE TE F/R 6X20 Ch.8	BOLT 6X20 T.8
3	26115	1		BOCCOLA SENSORE CKM KOSO 08	BUSH, SENSOR SPEEDOMETER 08
4	64135	1		CABLAGGIO SENSORE C/KM MY22->	
5	F64349	1		SUPPORTO CONTACHILOMETRI EU4	HOLDER, SPEEDOMETER eu 4
6	49982	2		RONDELLA 4x12x1 x CONTA/KM 64130	WASHER
7	21045	2		GOMMINO C/CHILOM. & CDI 08/11	RUBBER, SPEEDOMETER/CDI 08/13
8	49355	1		VITE TE F/R 6X16 Ch.8	BOLT 6X16 T.8
9	F26717	1		SUPPORTO RELE' FRECCHE LED 2020	HOLDER
10	49553	1		VITE TCEI 4X8 5931-912 Brun	BOLT TCEI 4X8
12	F68335	1		CLACSON C/C NO RETTIFICAT. LB	
13	49370	1		VITE TE F/R 6X12	BOLT 6X12

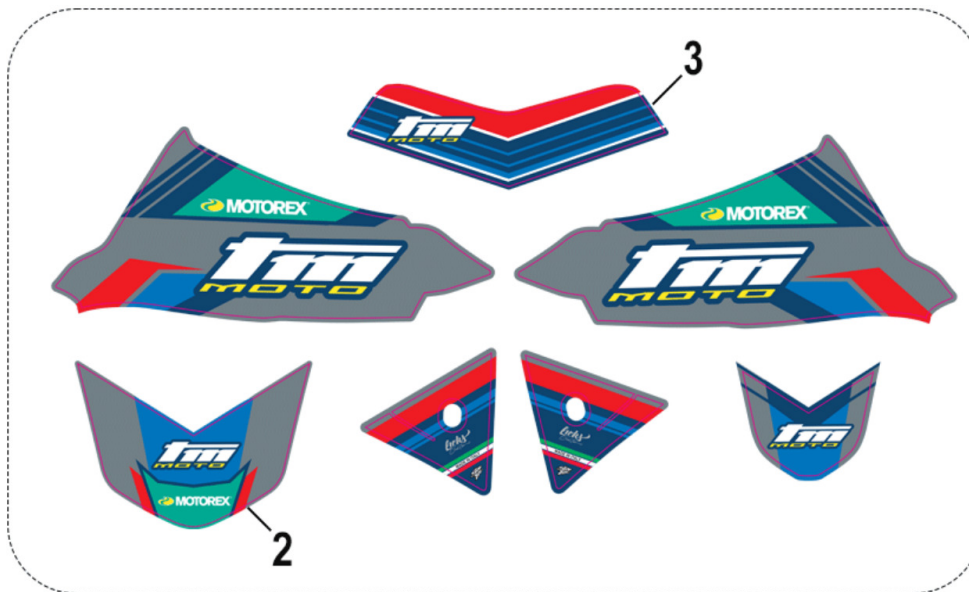


4T450FIEN26-T  
4T 450 Fi EN - 4S 450 Fi EN

KIT ADESIVI EN

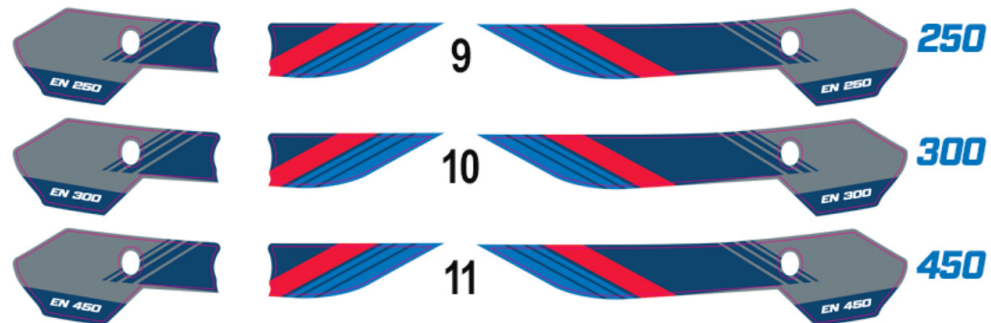
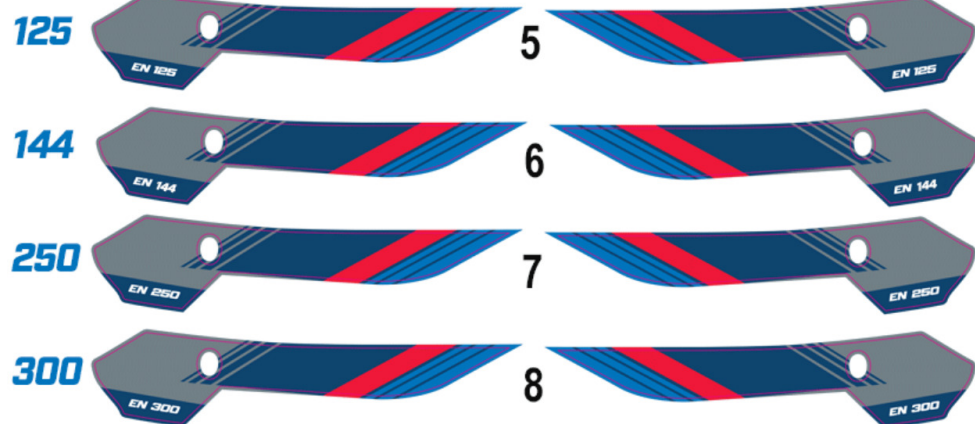


4



2T-2S

4T-4S





4T450FIEN26-T

4T 450 Fi EN - 4S 450 Fi EN

KIT ADESIVI EN

19

Pos.	Codice	Q.tà	Note	Descrizione	Description
1	94317.26	1		KIT ADESIVI - TM MOTO - M.2026 S/POST.	
2	94037.26	1		ADESIVO PARAFANGO ANT. -TM MOTO- MY26	
3	94161.26	1		ADESIVO PORTAFARO -TM MOTO- MY26	
4	94173	1		KIT ADESIVI FORC. KAYABA NERI	DECAL KYB BLACK
5	94333.125	1		KIT AD. LAT. P.NUM 2T EN 125 TM MOTO MY26	
6	94333.144	1		KIT AD. LAT. P.NUM 2T EN 144 TM MOTO MY26	
7	94333.250	1		KIT AD. LAT. P.NUM 2T EN 250 TM MOTO MY26	
8	94333.300	1		KIT AD. LAT. P.NUM 2T EN 300 TM MOTO MY26	
9	94334.250	1		KIT AD. LAT. P.NUM 4T EN 250 TM MOTO MY26	
10	94334.300	1		KIT AD. LAT. P.NUM 4T EN 300 TM MOTO MY26	
11	94334.450	1		KIT AD. LAT. P.NUM 4T EN 450 TM MOTO MY26	

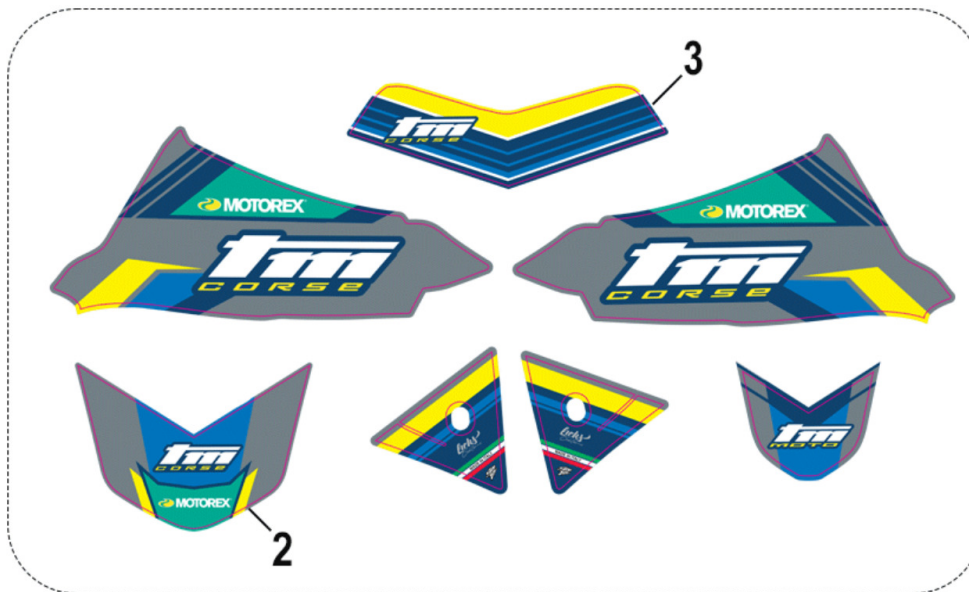


4T450FIEN26-T  
4T 450 Fi EN - 4S 450 Fi EN

KIT ADESIVI EN CORSE



4



2T-2S

4T-4S



125

5

EN 125



9

EN 250

EN 250

250



10

EN 300

EN 300

300



250

7

EN 250



11

EN 450

EN 450

450



300

8

EN 300



4T450FIEN26-T

4T 450 Fi EN - 4S 450 Fi EN

KIT ADESIVI EN CORSE

20

Pos.	Codice	Q.tà	Note	Descrizione	Description
1	94318.26	1		KIT ADESIVI - TM CORSE - M.2026 S/POST.	
2	94298.26	1		ADESIVO PARAFANGO ANT. -TM CORSE- MY26	
3	94314.26	1		ADESIVO PORTAFARO -TM CORSE- MY26	
4	94173	1		KIT ADESIVI FORC. KAYABA NERI	DECAL KYB BLACK
5	94340.125	1		KIT AD. LAT. P.NUM 2T EN 125 TM CORSE MY26	
7	94340.250	1		KIT AD. LAT. P.NUM 2T EN 250 TM CORSE MY26	
8	94340.300	1		KIT AD. LAT. P.NUM 2T EN 300 TM CORSE MY26	
9	94341.250	1		KIT AD. LAT. P.NUM 4T EN 250 TM CORSE MY26	
10	94341.300	1		KIT AD. LAT. P.NUM 4T EN 300 TM CORSE MY26	
11	94341.450	1		KIT AD. LAT. P.NUM 4T EN 450 TM CORSE MY26	