



4T250FISMK26-T

4T 250 Fi SMK

4S 250 Fi SMK

13/11/2025

TM MOTO SRL UNIPERSONALE - VIA FANO, 6 - 61122 PESARO – ITALY

WWW.TM-MOTO.IT



4T250FISMK26-T
4T 250 Fi SMK - 4S 250 Fi SMK

SOMMARIO
TABLE OF CONTENTS

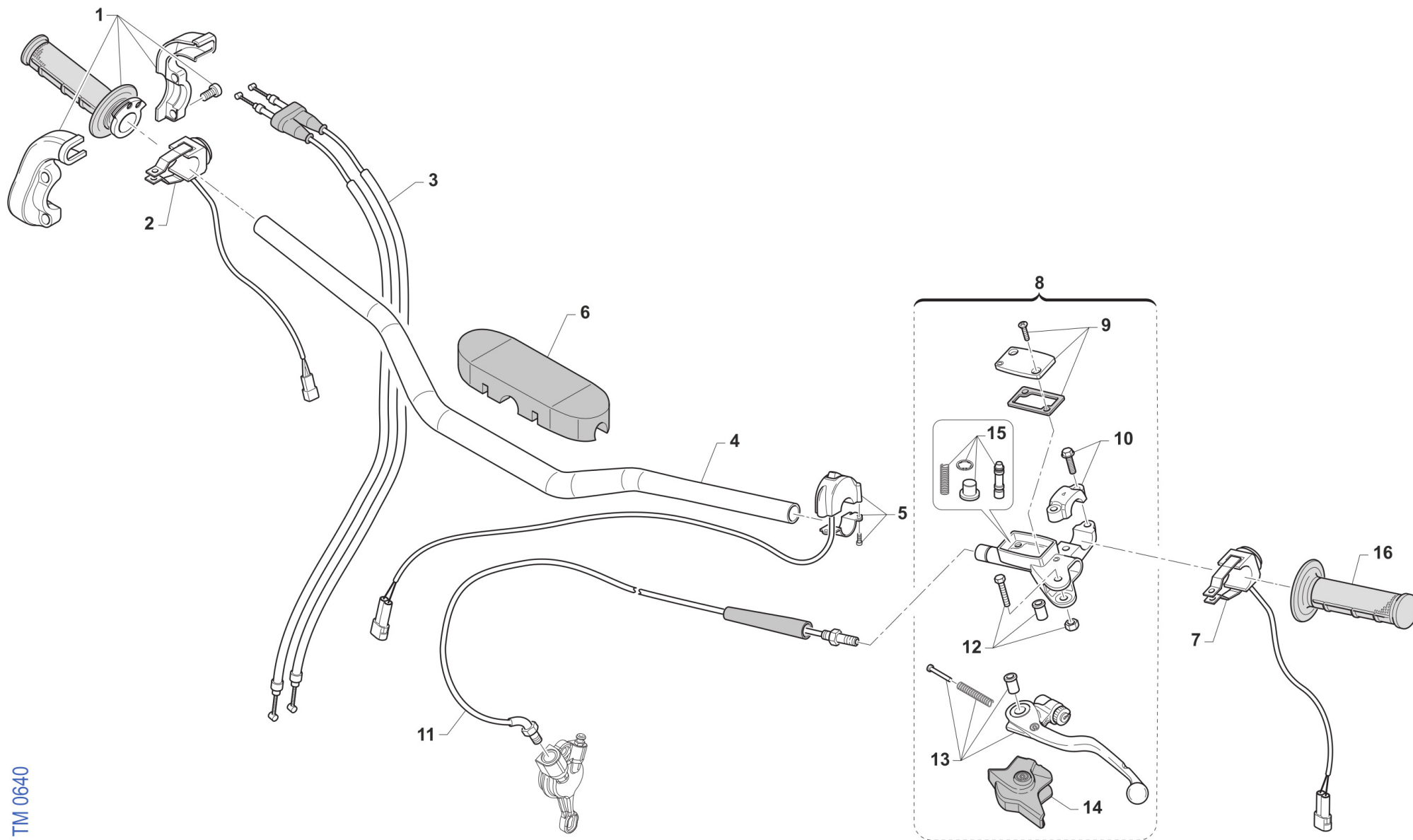
MANUBRIO - HANDLEBAR.....	3
FRENO ANTERIORE - FRONT BRAKE.....	5
FORCELLA - FORNT FORK.....	7
RUOTA ANTERIORE 16,5 X 3,5.....	10
RUOTA ANTERIORE 16 X 3,5.....	12
RADIATORI - RADIATORS.....	14
AIRBOX.....	16
TELAIO - FRAME.....	18
PLASTICHE E SELLA - PLASTIC AND SEAT.....	21
SERBATOIO - FUEL TANK.....	24
FORCELLONE - SWINGARM.....	26
LEVERAGGI - LINKAGE.....	28
RUOTA POSTERIORE - REAR WHEEL.....	30
FRENO POSTERIORE - REAR BRAKE.....	33
SCARICO - EXHAUST SYSTEM.....	36
CALBAGGI - WIRING.....	38
KIT ADESIVI SM.....	40



4T250FISMK26-T
4T 250 Fi SMK - 4S 250 Fi SMK

MANUBRIO
HANDLEBAR

1



TM 0640



4T250FISMK26-T
4T 250 Fi SMK - 4S 250 Fi SMK

MANUBRIO
HANDLEBAR

1

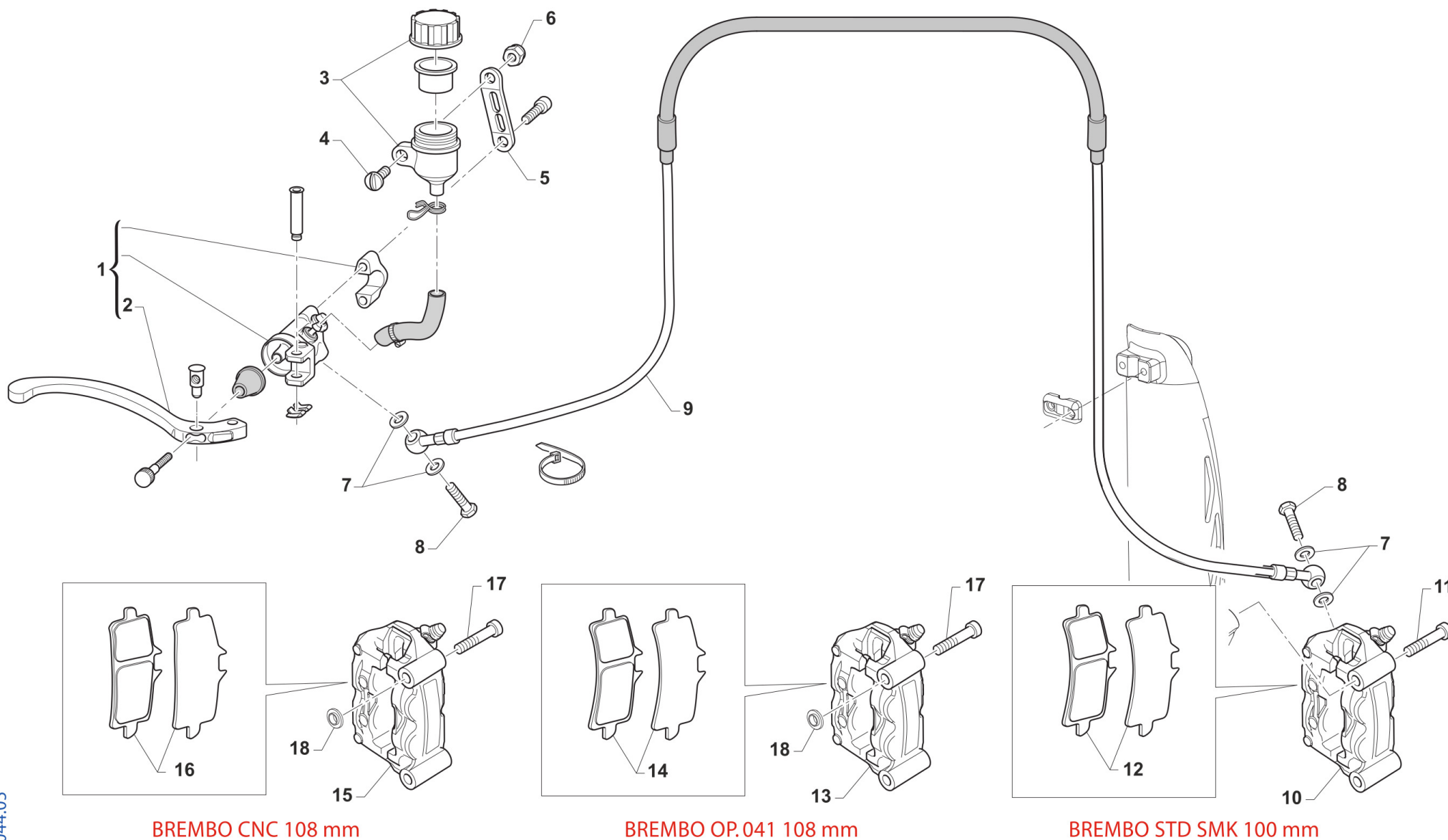
Pos.	Codice	Q.tà	Note	Descrizione	Description
1	F64300	1		COMANDO GAS DOMINO 4T + 2T Fi	THROTTLE CONTROL DOMINO 4S + 2S Fi
2	68244	1		PULSANTE AVVIAMENTO MOTO ES MY19->	BUTTON, START BIKE E.S. M. 19->
3	F64322	1		CAVO GAS 4T INIEZIONE M.10->	THROTTLE CABLE 4S Fi M.10/->
4	64085	1		MANUBRIO TM RACING 9012 TL	
5	68029	1		COMMUTATORE MAPPE CDI M.DOMINO	SWITCH, ECU MAP CONTROL DOMINO
6	64078.1	1		PARACOLPI MANUBRIO TM 2013 NR	PROTECTION FOR HANDLEBAR TM BLACK
7	F68189	1		PULSANTE DI MASSA MX Fi ASAHI	KILL BUTTON Fi
8	69360	1		POMPA FRIZIONE PS 9/17.7 BREMBO	PUMP, CLUTCH PS 9/17.7 BREMBO
9	64266	1		COPERCH./MEMBRAN.P.FRIZ.BREMBO 69360	
10	64249	1		CAVALLOTTO POMPA FRIZIONE BREM	HOLDER CLUTCH MASTER CY.BREMBO
11	F35606	1		TUBO FRIZIONE IDR. 250Fi MX 2018	CLUTCH HOSE, 4S TWIN
12	64245	1		PERNO LEVA POMPA FRIZ. BREMBO	PIN
13	64241	1		LEVA FRIZIONE BREMBO RICAMBIO	LEVER, CLUTCH BREMBO
14	64238	1		PARAPOLVERE POMPA FRIZIONE BR.	DUST SEAL,CLUTCH MASTER CYL.BR
15	64265	1		FLOTTANTE POMPA FRIZ. BREMBO 69360 9/17	
16	64087	1		MANOPOLE COPPIA CIRCUIT IV (AZZURRO)	
16	67418	1		MANOPOLE JUPITER MA042-213 COLORE NERO\GRIGIO COPPIA	



4T250FISMK26-T
4T 250 Fi SMK - 4S 250 Fi SMK

FRENO ANTERIORE
FRONT BRAKE

2



0044.05

BREMBO CNC 108 mm

BREMBO OP.041 108 mm

BREMBO STD SMK 100 mm



4T250FISMK26-T
4T 250 Fi SMK - 4S 250 Fi SMK

FRENO ANTERIORE
FRONT BRAKE

2

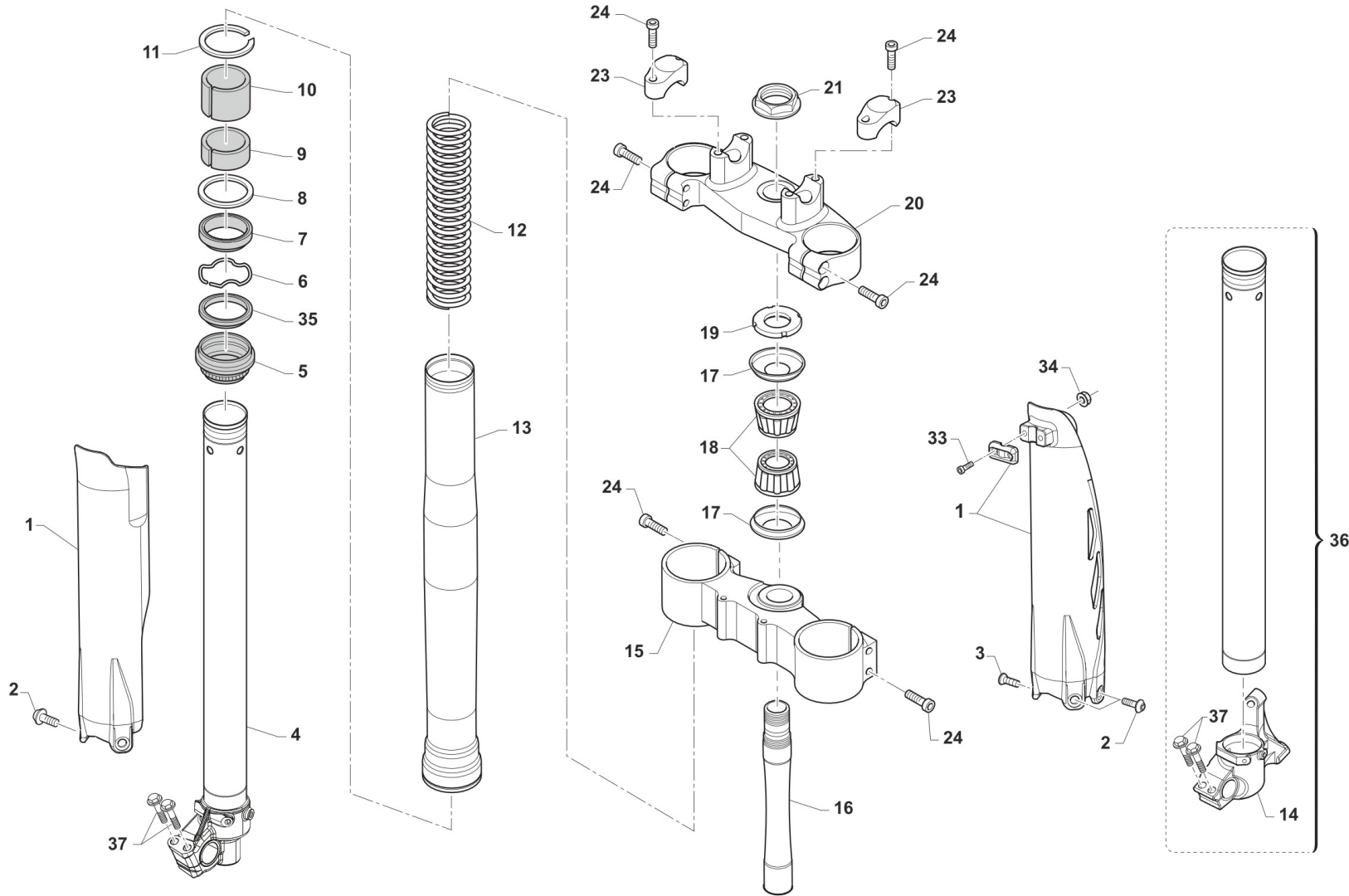
Pos.	Codice	Q.tà	Note	Descrizione	Description
1	69191	1	OPTIONAL BREMBO RC	POMPA FRENO ANT SMX BREMBO RC	BRAKE MASTER CILIN.SMX RACING
1	F69500	1	BREMBO	POMPA FRENO ANT S.M.PR16int.18	FRONT MASTER CYLINDER S.M. PR16 in.18
2	F69514	1	BREMBO	LEVA FRENO RICAMB.ANT CORTA 16	LEVER, FRONT BRAKE PR16B
3	69024.01	1		SERBATOIO OLIO M. 01/04 NISSIN	OIL TANK, REAR BRAKE 01/04 NIS
4	49320	1		VITE TB LARGA 6X15(16)LATERALI	BOLT TB LARGE 6X15(16)
5	26056	1		PIASTRINO SERB. P.F.RADIALE SM	SUPPORT RAD.HAND BRAKE CY.TANK
6	49676	1		DADO M 6X1 FLANG. AUTOBL.ACC.	NUT, FLANGED M6 X 1 S.B.
7	69034	2		RONDELLA X BULLONE FREN B22001	WASHER B22001, BRAKE HOSE
8	69093	2		BULLONE 10X1 TUBO FRENO BREMBO 03	HOLLOW SCREW M10X1 BREMBO BR.
9	69127.14	1		TUBO FRENO ANT SMX 03/->BIANCO	HOSE, FRONT BRAKE SMX 03-> WH.
10	69344	1	INT. 100	PINZA FRENO ANT. INT.100 SMX KIT 20D02050	BRAKE CALIPER, FRONT, WB100
11	49942	2	X 69344	VITE FZ 10X1.25X50 AT.PINZA SM	
12	69369	1		PASTIGLIE FRENO X PINZA 20D02050	PADS, BRAKE M.C. 20D02050
13	69271	1		PINZA FRENO ANT SM BREMBO M4.34 Int. 108	BRAKE CALIPER FRONT SMX RADIAL I.108
14	69322	1		PASTIGLIA FR.ANT.SMX RAD.I.108	PADS, BRAKE FRONT M.C. SMX RAD. I. 108
15	69184	1	INT. 100	PINZA FRENO ANT.SMX RADIALE RP	FR.BRAKE CALIP.SMX RADIAL CNC
16	69195	1	INT. 108	KIT PASTIGLIE ANT.RACING Z 04	KIT FRONT PADS, RACING Z 04
17	49856	2		VITE FZ 10X1.25X58 AT.PINZA SM	
18	26263	2		DISTANZ. PINZA FR. ANT. SMX H4.5	



4T250FISMK26-T
4T 250 Fi SMK - 4S 250 Fi SMK

FORCELLA
FORNT FORK

KAYABA 48



TM 0045.05



4T250FISMK26-T
4T 250 Fi SMK - 4S 250 Fi SMK

FORCELLA
FORNT FORK

Pos.	Codice	Q.tà	Note	Descrizione	Description
1	67494	1		PROTEZ.KIT FORC.USD SMR/SMK QUANTUM 2025	
2	49571	5		VITE TBCE 6 x 7 PROT. FORCELLA	BOLT TBCE 6x7
3	49403	1		VITE TSEI 6X12 ZINCATO	SCREW TSEI 6x12
4	72568	1		INNER TUBE COMP RIGHT	INNER TUBE COMP RIGHT
5	72502	2		PARAPOLVERE FORCELLA KYB 48 mm	DUST SEAL KYB FORK 48 mm
6	72525	2		SNAP RING OIL SEAL KYB 48 MM	SNAP RING OIL SEAL KYB 48 MM
7	72501	2		PARAOLIO FORCELLA KYB 48 mm	OIL SEAL KYB FORK 48 mm
8	72526	2		WASHER NEXT TO OIL SEAL KYB 48	WASHER NEXT TO OIL SEAL KYB 48
9	72504	2		SLIDE METAL KYB 48 mm	SLIDE METAL KYB 48
10	72503	1		PISTON METAL KYB 48 mm	PISTON METAL KYB 48
11	72530	2		SNAP RING OUTERTUBE KYB 48 MM	SNAP RING OUTERTUBE KYB 48 MM
12	72392	2		SPRING 4.3 N/mm FORC. KYB	
12	72393	2		SPRING 4.4 N/mm FORC. KYB	
12	72394	2		SPRING 4.5 N/mm FORC. KYB	
12	72395	2		SPRING 4.8 N/mm FORC. KYB	
12	F72445	2		MOLLA FORCELLA KAYABA 48 K=4.0	SPRING, FORKS KYB 48 K=4.0
13	72567.1	2		OUTER TUBE COMP (FODERO) COL. ORO Kashima Gold	OUTER TUBE COMP, GOLD
14	F72487	1		PIEDINO SX SMX (PR I108) K48 RP	
14	F72490	1		PIEDINO SX SMR (PR I100) K48 D	FOOT LH SMR KYB48 (W/B 100)
15	72000.106	1		PIASTRA INFERIORE FORCELLA KAYABA 48 19 SMX 450 FI 4T	
16	72007.98	1		CANOTTO STERZO CROSS M. 98/->	STEERING STEM, MX M.98/->
17	72002.02	2		PROTEZIONE CUSC/CANOTTO STERZO M. 02 ->	DUST SEAL, STEERING STEM 02/->
18	03070	2		CUSCINETTO CONICO STERZO 02/->	BUSH, STEERING M. 02/->
19	72008.98	1		GHIERA STERZO FORCELLA MY 98/26	NUT, STEERING BEARING
20	72000.107	1		PIASTRA SUPERIORE FORCELLA KAYABA 48 19 SMX 450 FI 4T	
21	49080	1		DADO CANOTTO STERZO 98/-> ALL	NUT, STEERING STEM ALUM 98/->



4T250FISMK26-T
4T 250 Fi SMK - 4S 250 Fi SMK

FORCELLA
FORNT FORK

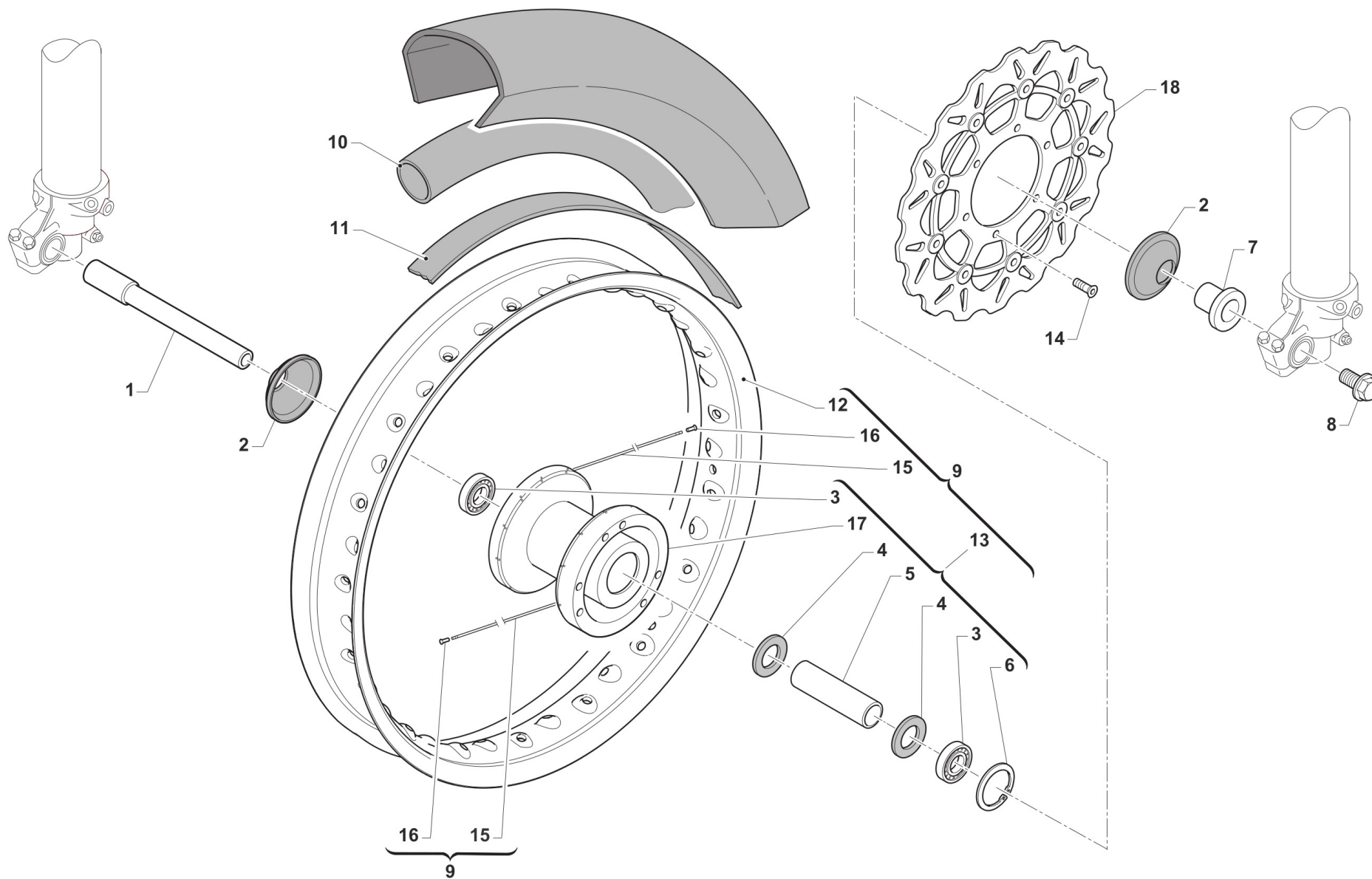
3

Pos.	Codice	Q.tà	Note	Descrizione	Description
23	72036.11	2		CAVALLOTTO SUP.M.11 SILVER	UPPER HANDLEBAR M.11 SILVER
24	49502	12		VITE TCEI 8X30	BOLT TCEI 8X30
33	49474	2		VITE TCEI 5X16 UNI 5931	BOLT TCEI 5X16
34	49629	2		DADO M 5 ALTO AUTOBLOCCANTE	NUT 5mm, HIGHT SELF-LOCKING
35	72341	2		SCRAPER FORC.KYB R.DEPT	SCRAPER
36	72569.1	1		CANNA FORCELLA KYB 48 SINISTRA SMR MY18CON PIEDINO F72490 (INT. 100)	INNER TUBE ASSY LH, KYB 48 SMR
36	72569.2	1		CANNA FORCELLA KYB 48 SINISTRA SMX/SMKCON PIEDINO F72487 (INT. 108)	
37	72622	4		VITE PIEDINO FORCELLA KYB	



4T250FISMK26-T
4T 250 Fi SMK - 4S 250 Fi SMK

RUOTA ANTERIORE 16,5 X 3,5



TM00046



4T250FISMK26-T
4T 250 Fi SMK - 4S 250 Fi SMK

RUOTA ANTERIORE 16,5 X 3,5

4

Pos.	Codice	Q.tà	Note	Descrizione	Description
1	74061	1		PERNO RUOTA ANT KYB SMX MY2021	
2	69998	2		PARAPOLVERE RUOTA ANT. MARZ. KYB 07->	DUST SEAL, FR WHEEL MA50 07/->
3	03071	2		CUSCINETTO RUOTA ANTER. + POSTER.	BUSH, FRONT WHEEL MA50 61905
4	70165	2		RONDELLA GOMMA 42X29X3 D.I.ANT	WASHER, RUBBER 42x29x3
5	70167	1		DIST.INT.R.ANT. MARZOCCHI 07	SPACER INTER.FRONT WHEEL MA.7
6	49250	1		SEEGER I 42 RP 94/96 ANT MARZ.50	CIRCLIP D.42 - REAR WHEEL
7	70166.4	1	STD 108	BOCCOLA RUOTA ANT KYB SMX H16,8	
7	70166.5	1	OPTIONAL INT. 100	BOCCOLA RUOTA ANT KYB SMK H 15,8	
8	49077	1		DADO PERNO RUOTA ANT M.K.07->	NUT, FR AXLE MA50 M.07/->
9	70250	1		CERCHIO ANT 16.5x3.5 MA50 CPL SMX M.11/-> EXCEL BLACK	WHEEL, FRONT 16.5X3.5 MA50
10	80123	1		CAMERA ARIA 17 J	INNER TUBE REAR WHEEL 17 J
11	70046	1		FLAP RUOTA ANT. SUPERMOTARD 17 3.50	FLAP. FRONT 17
12	70088.1	1	16.5x3.50 EXCEL BLACK	CERCHIO ANT SM 16.5x3.50 BK	
13	70194	1		MOZZO ANT SMX MA50/KYB R4 CPL 10/>	
14	49443	6		VITE TE 6X16 (10.9)	SCREW TE 6X16
15	70257	36	4x173	RAGGIO R.ANT.4.0/3.1/4.0 X 167	SPOKE FRONT WHEEL 4.0/3.1/4.0 x 167
16	70062	36		NIPPLO ACCIAIO 4	SPOKE NIPPLE 4 mm
17	70193	1		MOZZO ANT SMX MA50/KYB R4 NUDO 10/	
18	69196	1		DISCO FRENO ANT.RAC.SMX305X6,5 + VITI	
18	69270	1		DISCO FRENO ANT 306x5 SMX GALF DF828CWSTG + VITI DISCHI	BRAKE, FRONT DISK 306X5 SMX



4T250FISMK26-T

4T 250 Fi SMK - 4S 250 Fi SMK

RUOTA ANTERIORE 16 X 3,5

5

Pos.	Codice	Q.tà	Note	Descrizione	Description
1	70260	1		CERCHIO ANT SM 16x3.50 BK undrilled	
2	70062	36		NIPPLO ACCIAIO 4	SPOKE NIPPLE 4 mm
3	70255	36		RAGGIO RUOTA 14 166X4/3.1/4 J	SPOKE, 14 WHEEL 166X4/3.1/4 J
4	03071	2		CUSCINETTO RUOTA ANTER. + POSTER.	BUSH, FRONT WHEEL MA50 61905
5	70165	2		RONDELLA GOMMA 42X29X3 D.I.ANT	WASHER, RUBBER 42x29x3
6	70167	1		DIST.INT.R.ANT. MARZOCCHI 07	SPACER INTER.FRONT WHEEL MA.7
7	49250	1		SEEGER I 42 RP 94/96 ANT MARZ.50	CIRCLIP D.42 - REAR WHEEL
8	70193	1		MOZZO ANT SMX MA50/KYB R4 NUDO 10/	
9	70194	1		MOZZO ANT SMX MA50/KYB R4 CPL 10/>	
10	70261	1		CERCHIO ANT 16x3.5 MA50/KYB CPL NERO	
11	70046	1		FLAP RUOTA ANT. SUPERMOTARD 17 3.50	FLAP. FRONT 17
12	80329	1		CAMERA ARIA ANTERIORE SMX 16	



4T250FISMK26-T
4T 250 Fi SMK - 4S 250 Fi SMK

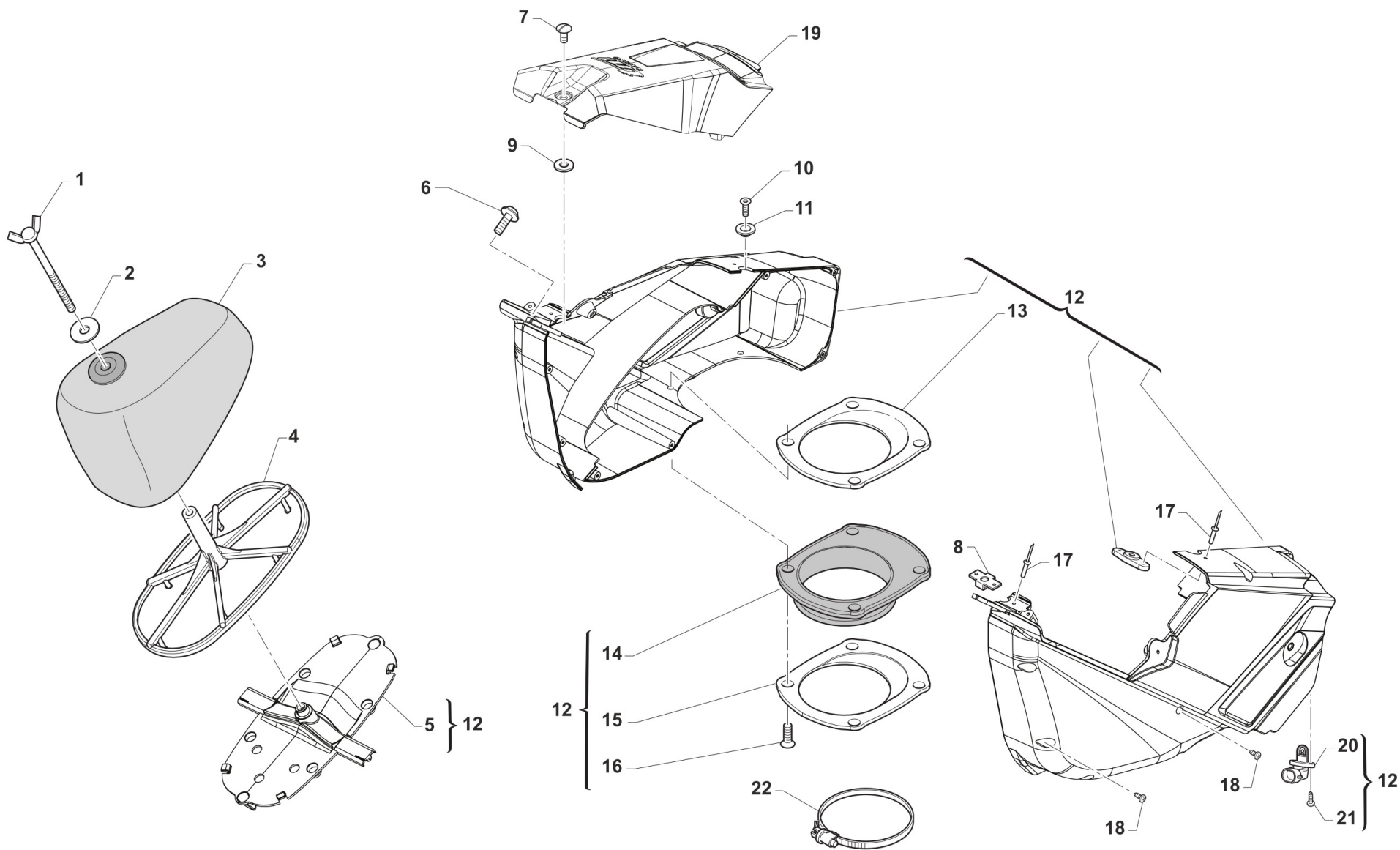
RADIATORI
RADIATORS

Pos.	Codice	Q.tà	Note	Descrizione	Description
1	23111	1		KIT PROTEZ. RAD. 4T MY 22/25 CPL BLU	GUARDS, RADIATOR 4S MY 22/25 BLUE
1	23112	1		KIT PROTEZ. RAD. 4T MY 22/25 CPL BIANCHE	GUARDS, RADIATOR 4S MY 22/25 WHITE
2	49482	4		VITE TCEI 6X14 UNI 5931	BOLT TCEI 6X14
3	26064	4		BOCCOLA RADIATORE MY 02 / 06 ->	BUSH, RADIATOR M.02/06
4	21102	4		GOMMINO ANTIV.RADIAT.SILENZ. MY 94->	RUBBER, GROMMET RADIATOR and SILENC.
5	23083	1		RADIATORE 4T DX LUNGO MY2022 FA L.TAP.(passaggio scarico)	
6	23062	1		TAPPO RADIATORE 1,8 BASSO(PER RADIATORE 23065)	RADIATOR CAP 1,8
7	23084	1		RADIATORE 2T+4T SX LUNGO MY2022 FA	
8	51001	2		FASCETTA 07/11 mm	CLAMP 07/11 mm
9	67028	1		TUBO HYDRO' ECO 6 X 12	
10	67170	1		TUBO COPOLAN GRIGIO 5x9 mm (rotolo 200 ml.)	HOSE, COPOLAN GREY 5x9 mm
11	49801	2		PRESTOLA RADIATORE M6 70117G	RANGE CHANGE MET.NUT M6 70117G
12	F21413.1	1		MANICOTTO ACQUA RADIATORE 05->	WATER HOSE RADIATOR M.2005
13	F21448	1		MANICOTTO ACQUA RADIATORE SX 4T MY22	
14	21023	1		MANICOTTO ACQUA RADIATORE ML	WATER HOSE RADIATOR ML
15	51062	3		FASCETTA A COLLARE DIAM.22 ZN	CLIP, WATER HOSE, d.22 ZN
16	F21439.1	1		MANICOTTO METALLICO ACQUA 4T 250/300	
17	F51115	3		FASCETTA OETIKER 25.6	
18	51036	4		FASCETTA A COLLARE DIAM.24 ZN	CLIP, WATER HOSE, d.24 ZN



4T250FISMK26-T
4T 250 Fi SMK - 4S 250 Fi SMK

AIRBOX



TM 0610



4T250FISMK26-T
4T 250 Fi SMK - 4S 250 Fi SMK

AIRBOX

Pos.	Codice	Q.tà	Note	Descrizione	Description
1	49418	1		GALLETTO C/PERNO FILTRO 6x102	SPECIAL BOLT AIR FILTER M6X102
3	66071	1		FILTRO ARIA 4T MY22 PACKED	AIR FILTER FS PACKED MY22->
4	F66521.22	1		GABBIA FILTRO 4T MY22	CAGE, AIR FILTER FS MY22->
5	F67202	1		STAFFA FISSAGGIO FILTRO MOTO 4T MY22	
6	F49822	1		VITE ES.FLANG.M6X12 T.AL.M08	BOLT, 6X12 AL. FRAME M.08->
7	49925	1		SPINOTTO D8-316-110-190 CORTO	PIN D8-316-110-190 SHORT
8	49924	1		RICETTACOLO D8-336-400-121	PIN D8-336-400-121
9	49923	1		RONDELLA D8-326-100-040	WASHER D8-326-100-040
10	49404	1		VITE TSEI 6X16	BOLT TSEI 6x16
11	26083	1		BOCCOLA FISS.SELLA/SERBAT. M08	BUSH, FIX SEAT / TANK M.08->
12	F67166.22	1		AIRBOX 4T TWIN MY22/23 + 450 MX 22/23 CPL	
13	F67139	1		FLANGIA CUFFIA C.FILT.4T M15 I INTERNA	FLANGE, INTERNAL
14	F66520	1		CUFFIA CASSA FILTRO 4T 2015	AIRBOOT, 4S MY15
15	F67139.1	1		FLANGIA CUFFIA C.FILT.4T M15 E ESTERNA	FLANGE, EXTERNAL
16	49402	4		VITE TSEI 5X20	BOLT TSEI 5X20
17	49888	4		RIVETTO ACC. 3 X12	RIVET 3X12
18	49872	9		VITE TMT+PZ 3X20 PER PLASTICA	SCREW 3X20
19	67465	1		COPERCHIO CASSA FILTRO MOTO 4T MY25 QUANTUM	
20	F08004	1		SENSORE TEMP. ARIA	SENSOR, AIR TEMPERATURE ATS05
21	49304	2		VITE T.C. 3X12	BOLT
22	51006	1		FASCETTA 92/112	CLAMP 92/112



4T250FISMK26-T
4T 250 Fi SMK - 4S 250 Fi SMK

TELAIO
FRAME

8

Pos.	Codice	Q.tà	Note	Descrizione	Description
1	73260	1		TELAIO SMK 250 4T MY 22/25	
2	F73527	1		CODINO TELAI0 4T TWIN MY 22/24CON PREDISPOSIZIONE GOMMINO	
3	49364	4		VITE TE F/R 8X25 Ch.10	BOLT, EH 8X25 To.10 mm
4	49724	6		VITE TE F/R 8X21	BOLT TE F/R 8x21
5	49792	1		VITE TE F/R 10X54 1.25 T.AL08	BOLT, M10X1.25X54 ALU.FRAME08
6	49681	3		DADO M 10 X 1,25 CH 14 FLANG. AUTOBLOCK	NUT M10x1,25 FLANGED SELF-LOCK
7	49352	1		VITE TE F/R 10X125 1.25 Ch.10	BOLT SPECIAL 10X125 1.25 T.13
8	49351	1		VITE TE F/R 10X120 1.25 Ch.10	BOLT SPECIAL 10X120 1.25 T.10
10	73161	2		PERNO PEDANE MY2022	
11	49382	2		VITE ESAG.FLANG.M12X25 T.A.	BOLT 12 X 25 FLANGE
12	49383	2		VITE ESAG.FLANG.M8X1.25X20 T.A	BOLT 8 X 20 FLANGE
13	49612	2		RONDELLA ACCIAIO 10	STEEL WASHER 10
14	73036	2		COPIGLIA PEDANA M. 92/01	COTTER PIN FOOTPEG 92/01
15	F16481	2		MOLLA RITORNO PEDANA MY2022	
16	F73507	1		PEDANA SINISTRA MY2022	
17	F73509	1		SUPPORTO PEDANA SINISTRA MY2022	
18	F73506	1		PEDANA DESTRA MY2022	
19	F73508	1		SUPPORTO PEDANA DESTRA MY2022	
20	16021	2		MOLLA PASSAGGIO CAVI MOTO (SX)	GROMMET BIKES LF
21	49597	2		VITE TBCEI 4 x 8 UNI 7380	BOLT TBCE 4 x 8
22	49367	1		VITE TE F/R 8X45 Ch.10	BOLT 8X45 T.10mm
23	67088	1		ROTELLA CATENA M. 90/07	CHAIN ROLLER M.90/07
24	F50843	1		PARAMOTORE 4T 250/300 MY 2022	
25	F49861	2		VITE PARACOPPA E.I. M6X16 FL.	BOLT, GUARD ENGINE 6X16
26	49611	1		RONDELLA ACCIAIO 8	WASHER STEEL 8mm
27	49445	1		VITE TE 8X50 UNI 5737	BOLT EH 8X50
28	F26737	1		PIASTRINO DESTRO FISSAGGIO TESTA 4T 250	

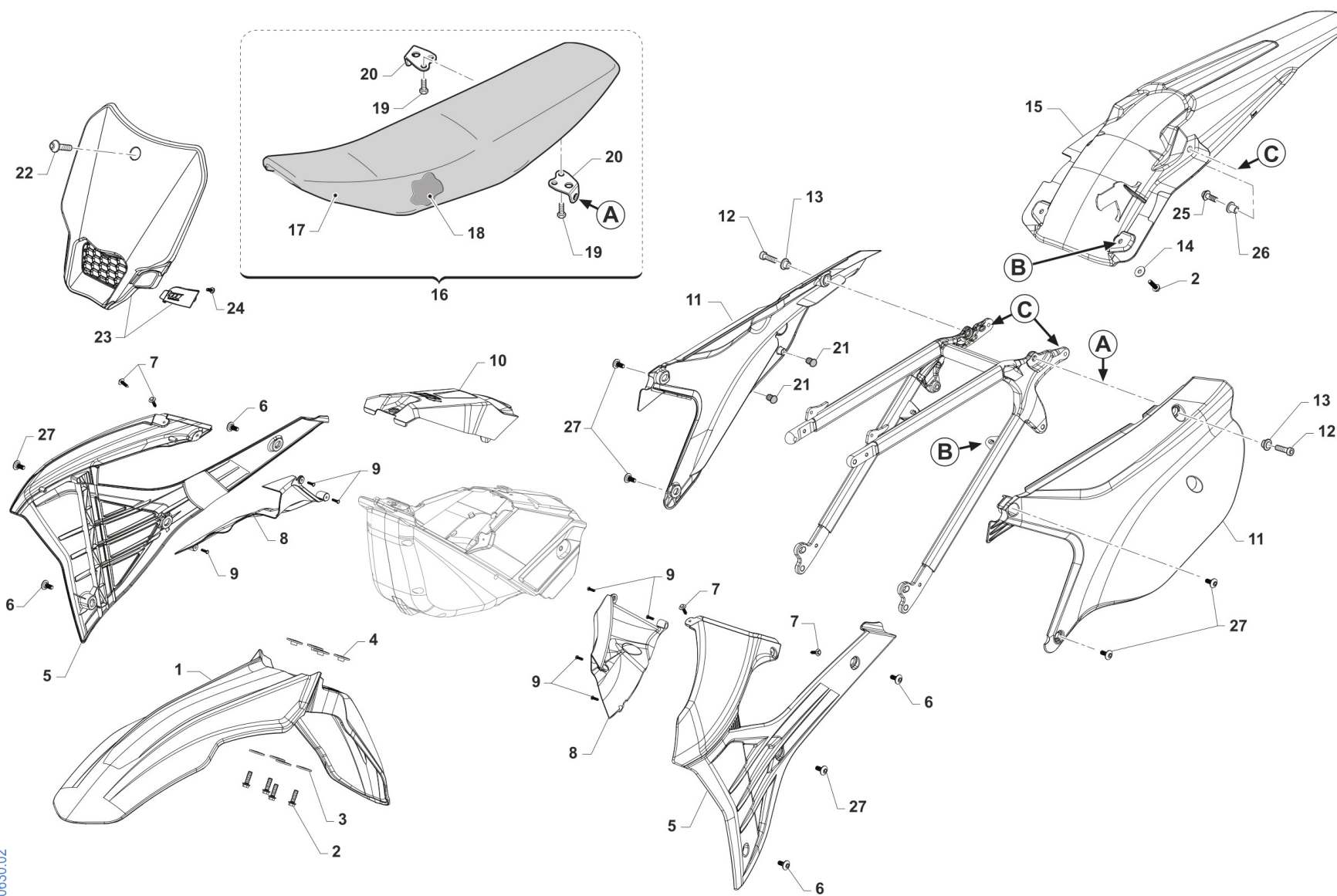


4T250FISMK26-T
4T 250 Fi SMK - 4S 250 Fi SMK

TELAIO
FRAME

8

Pos.	Codice	Q.tà	Note	Descrizione	Description
29	F26738	1		PIASTRINO SINISTRO FISSAGGIO TESTA 4T 250	
30	51097	1		FASCETTA 148x3.6 PER FISSAGGI SU TELAI 150-55850	
41	48263	2		DISTANZIALE INTERNO FISSAGGIO SCARICO	
42	21142	2		GOMMINO SILENZIATORE HGS MY22->	
43	48264	2		DISTANZIALE ESTERNO FISSAGGIO SCARICO	



TM 0630.02



4T250FISMK26-T
4T 250 Fi SMK - 4S 250 Fi SMK

PLASTICHE E SELLA
PLASTIC AND SEAT

Pos.	Codice	Q.tà	Note	Descrizione	Description
1	67454	1		PARAFANGO ANT SM MY25 QUANTUM	
2	49356	6		VITE TE F/R 6X20 Ch.8	BOLT 6X20 T.8
3	26084	4		RONDELLA PARAF ANT. 24x2 M.08	WASHER, FRONT FENDER 24 X 2
4	26132	4		BOCCOLA PARAF. ANT. M12	BUSH, FRONT MUDGUARD M.12->
5	67470	1		SET CONV. ARIA 2T/4T MY25 QUANTUM	RAD SHROUDS SET, 2S+4S, RH+LH, MY25 - QUANTUM GREY
6	49574	4		VITE TBCE 6 x 12 PLASTICHE	BOLT TBCE 6x12
7	49192	4		VITE TE COL.LARG.TL107 A 4X16 Chrm SERB.PL. MY22	
8	67271.22	1		SET CONVOGL. INTERNI 2T / 4T MY22->	
9	49984	7		VITE TCBL 3.0 X 12 FL. PLASTICA	BOLT
10	67465	1		COPERCHIO CASSA FILTRO MOTO 4T MY25 QUANTUM	
11	67474	1		SET LATER. P.NUM. 4T TWIN MY25 QUANTUM	
12	49484	2		VITE TCEI 6X20	BOLT TCEI 6X20
13	26059	2		BOCCOLA FISS.SELLA & LAT.03/->	COLLAR, SEAT/SIDE PANEL 03/->
14	49117	2		RONDELLA 18X6.5X2 X RADIAT.08	WASHER 18X6.5X2 RADIATOR 08
15	67457	1		PARAFANGO POSTERIORE 2T/4T MY25 QUANTUM	MUDGUARD, REAR MY 25 - QUANTUM GREY
16	67469	1		SELLA M.2025 2T/4T CPL QUANTUMTERMOSALDATA	SEAT 2S/4S STANDARD MY 2025 QUANTUM
17	67477	1		COPERTINA SELLA M.2025 2T/4T QUANTUMTERMOSALDATA	
18	67361	1		SPUGNA SELLA CROSS/ENDURO MOD.2022 2T/4T X 67363	
19	49435	4		VITE TE 5X12	SCREW TE 5X12
20	73047	2		PIASTRINO AL ATT.SELLA POSTER.	PLATE AI REAR SEAT HOLDER
21	21141	2		GOMMINO DIST.FIANC/SCARICO M22	
22	49574	1		VITE TBCE 6 x 12 PLASTICHE	BOLT TBCE 6x12
23	67475	1		PORTANUMERO ANTERIORE MY25 QUANTUM/NERO	NUMBER PLATE FRONT MX ASSY MY22 - QUANTUM GREY
24	49128	1		VITE TCEI 4x12 7505B	
25	49356	2		VITE TE F/R 6X20 Ch.8	BOLT 6X20 T.8
26	26187	2		BOCCOLA FISSAGGIO PARAF/SUPP.COMP.ELET. MX/SMX MY22 15x6 F.6	



4T250FISMK26-T
4T 250 Fi SMK - 4S 250 Fi SMK

PLASTICHE E SELLA
PLASTIC AND SEAT

9

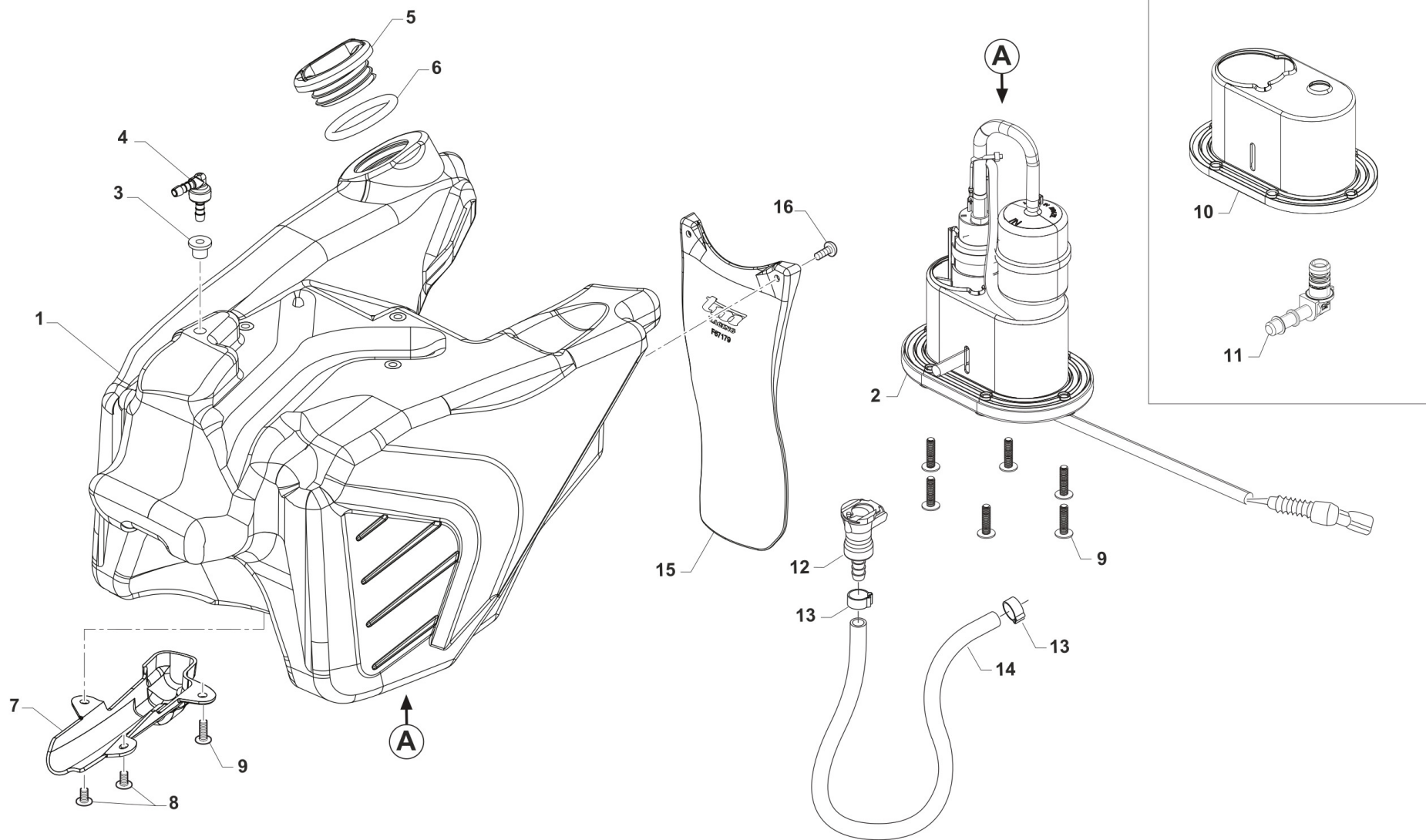
Pos.	Codice	Q.tà	Note	Descrizione	Description
27	490010	6		VITE TBCE 6 x 9 PLASTICHE	



4T250FISMK26-T
4T 250 Fi SMK - 4S 250 Fi SMK

SERBATOIO
FUEL TANK

10



TM 0614.01



4T250FISMK26-T
4T 250 Fi SMK - 4S 250 Fi SMK

SERBATOIO
FUEL TANK

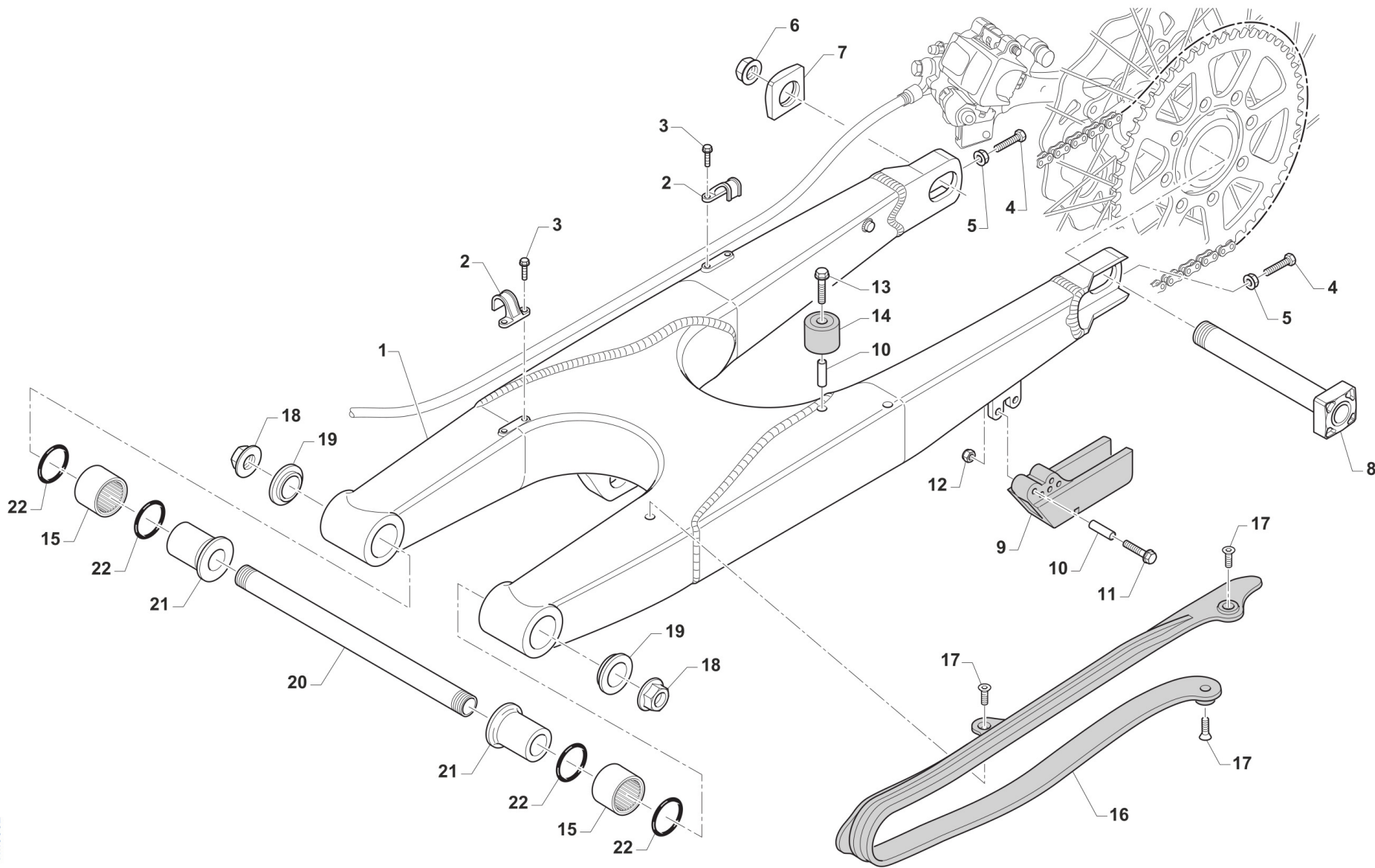
10

Pos.	Codice	Q.tà	Note	Descrizione	Description
1	F65139	1		SERBATOIO BENZINA MOTO 4T MY2022 TRASP.	
2	F08491	1		GRUPPO ASP. CARB. 3.5 BAR S/TERM. MY 2022MX/SMX/SMK SENZA RISERVA	
3	65035.2	1		PASSACAVO IN GOMMA DIAM.4,5 ARK DIS.174x KIT 65035	
4	F65142	1		VALVOLA DI SFIATO SERBATOIO MOTO 4T MY22	
5	F65140	1		TAPPO SERBATOIO 4T MY2022	
6	12039	1		O RING X TAPPO SERBATOIO 4T 15	O-RING TANK CAP F.S. 15->
7	F65136	1		CARTER CAVI POMPA BENZINA	PROTECTION, FUEL PUMP CABLES
8	49448	2		VITE TBCEI 5X10 UNI 7380	BOLT TBCEI 5X10 10.9
9	49754	7		VITE TBEI 5X20 TORX	BOLT TBCIX 5x20
10	F05866	1		KIT RICAMBIO GUARNIZIONE POMPA BENZINA	
11	F08122	1		RACC.MASCHIO GR.P.BENZ.BITRON	JOINT, FUEL PUMP Fi
12	F08370	1		RACCORDO SG.RAPIDO CPC 5/16 C/V	JOINT CPC 5/16 C/V
13	F51112	2		FASCETTA OETIKER 016,0-706R	CLAMP OETIKER 016,0-706R
14	67036	1		TUBO ANTIBENZINA 8 x 14	HOSE, OIL/FUEL 8x14
15	F67179	1		PROTEZIONE MONO MOTO 4T MY22	
16	490007	2		VITE TBCEI 5 x 12 7380 FLANGE 10.9	BOLT TBCEI 5 x 12 7380 FLANGE



4T250FISMK26-T
4T 250 Fi SMK - 4S 250 Fi SMK

FORCELLONE SWINGARM



TM0052



4T250FISMK26-T
4T 250 Fi SMK - 4S 250 Fi SMK

FORCELLONE
SWINGARM

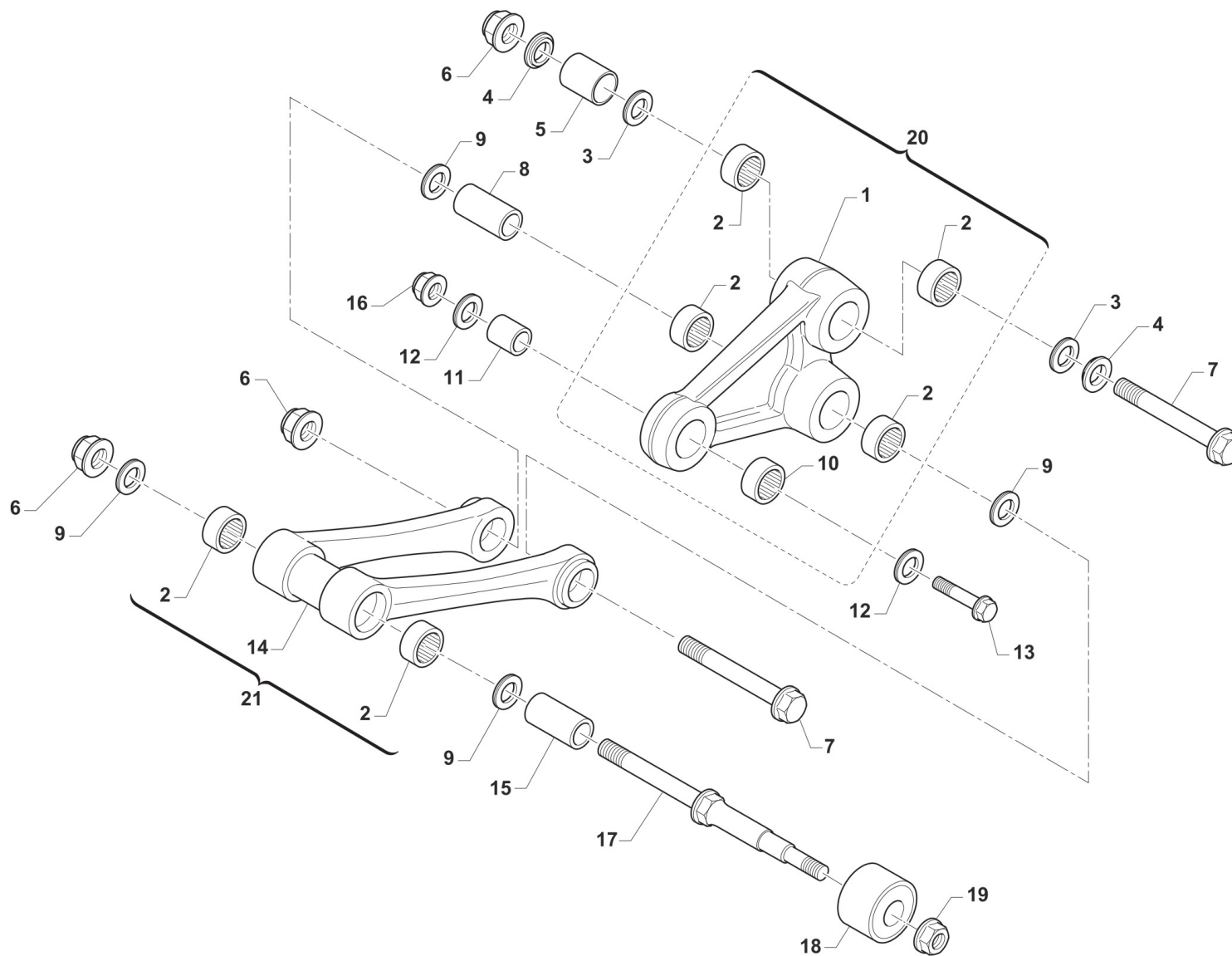
11

Pos.	Codice	Q.tà	Note	Descrizione	Description
1	73164	1		FORCELLONE MOTO SMX/SMK M. 2022	
2	67054	2		FERMA TUBO FRENO POST. M.97/->	RETAIN CLAMP BRAKE HOSE 97/->
3	49794	4		VITE AUTOFOR. 4.8X16 7504	BOLT, 4,8 X 16 7504
4	F49976	2		VITE TE 8X45 ES.10 FORCELLONE	SCREW TE 8X45 SWINGARM
5	49640	2		DADO M 8 FLANGIATO CHIAVE 12	NUT 8mm, FLANGE
6	49123	1		DADO PERNO RUOTA POST. M.2015	NUT, REAR WHEEL AXLE 15 ->
7	70323	1		TENDICATENA SMK/SMX MY 2022	
8	74055.15	1		PERNO RUOTA POSTERIORE M.15->	AXLE, REAR WHEEL M.15->
9	67172	1	NYLON	PASSACATENA NYLON SM 94/05 UFO	GUIDE, CHAIN SM
10	26090	2		BOCCOLA PASSACATENA SM M09 22 x 8 F.6	BUSH, CHAINGUARD SM M.09->
11	49359	2		VITE TE F/R 6X35 Ch.8	BOLT 6X35 T.8
12	49638	2		DADO M 6 ALTO AUTOBLOCCANTE	NUT 6mm, HIGHT SELF-LOCKING
13	49360	1		VITE TE F/R 6X40 Ch.8	SCREW TE F/R 6X40 Tool 8
14	67088.2	1		ROTELLA CATENA FORCELLONE 4T 250 SMK	
15	19043	2		ASTUCCIO A RULLI HK 2030	NEEDLE CAGE HK 20/30
16	67099.15	1		PROTEZIONE FORCELLONE M.2015	SWINGHARM PROTECTION M.2015
17	49396	3		VITE TSEI 5X10	BOLT TSEI 5X10
18	49095	2		DADO 16 FORCELLONE MOTO 95/10	NUT, SWINGARM AXLE M. 95/05
19	73115	2		COPERCHIO BOCCOLA FORC. M08->	COLLAR, SWINGARM M.08
20	74056	1		PERNO FORCELLONE MOD. 08/->	AXLE SWINGARM M. 08->
21	73112	2		BOCCOLA FORC. 08/-> F16(30X49)	BUSH, SWINGARM 08-> H.16 30X49
22	12102	4		O RING LEVERAGGIO & FORCELLONE	O-RING, LINKAGE & SWINGARM



4T250FISMK26-T
4T 250 Fi SMK - 4S 250 Fi SMK

LEVERAGGI
LINKAGE



TM 0645



4T250FISMK26-T
4T 250 Fi SMK - 4S 250 Fi SMK

LEVERAGGI
LINKAGE

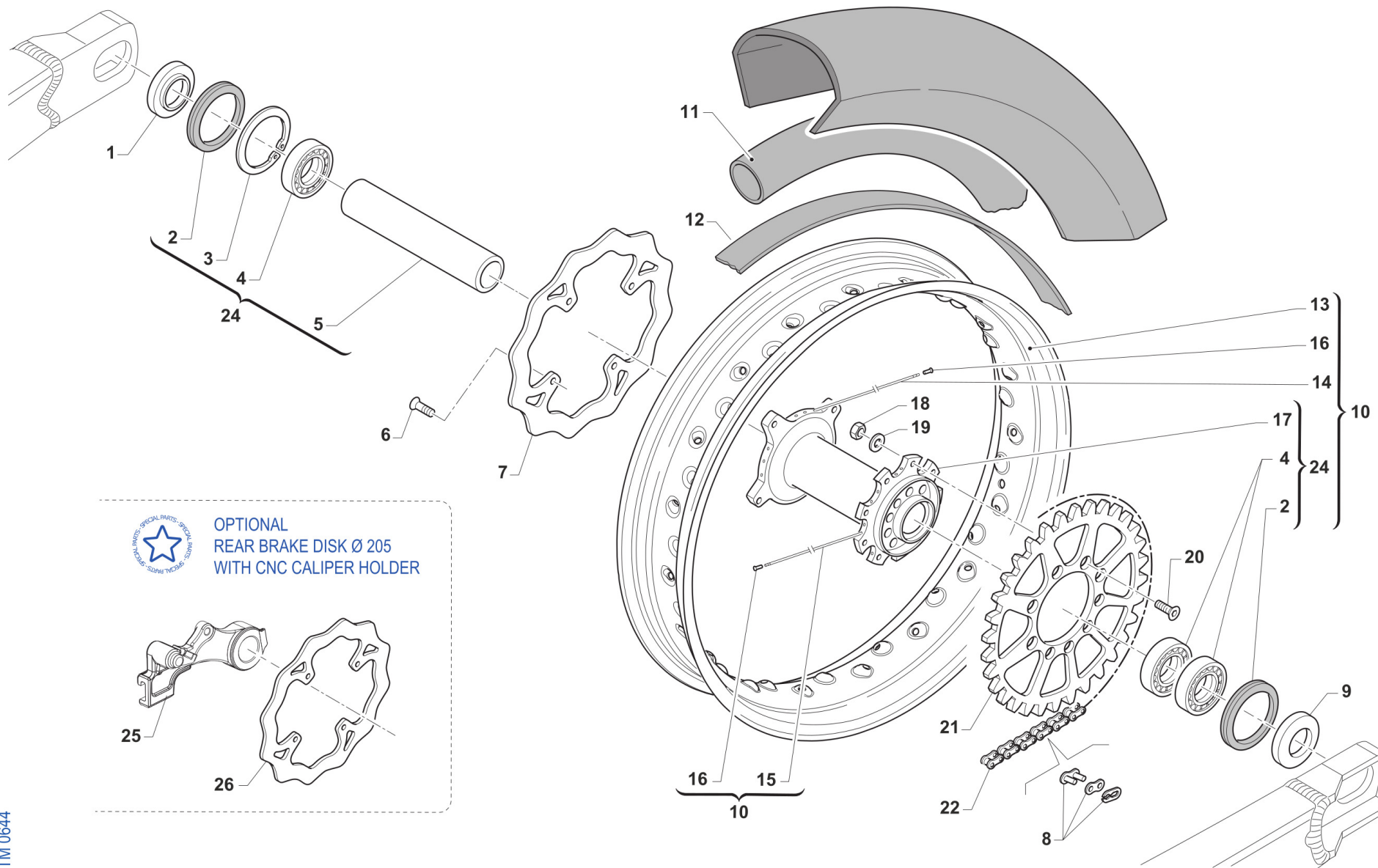
12

Pos.	Codice	Q.tà	Note	Descrizione	Description
1	F73522	1		TRIANGOLO LEVERAGGIO SMK 450 Fi MY22 NUDO	
2	19106	6		GABBIA RULLINI DL 2016 KYU	BUSH NEEDLE CAGE 26 X 20 H16
3	12010	2		O RING ORM 0240-30 TRIANG.05/6	O-RING, LINKAGE 05/6 ORM 0240-30
4	73075	2		COPERCHIO BOCCOLA TRIANG '05	COVER, BUSH
5	73211	1		BOCCOLA TRIANGOLO LEVER.05/->	BUSH, ARM RELAY 12X20X38
6	49194	3		DADO M12X1.25 FLANG. CH14	
7	49345	2		VITE TE F/R 12X90 1.25 Ch13	BOLT TE F/R 12X90 1.25 T.13
8	F73416	1		BOCCOLA TRIANG. 20x48F12 05/->	COLLAR, ROD M.04 12x20x48
9	12102	4		O RING LEVERAGGIO & FORCELLONE	O-RING, LINKAGE & SWINGARM
10	19101	1		GABBIA RULLINI DL 1812 KYU	BUSH NEEDLE CAGE DL 18/12
11	73214	1		BOCCOLA 18 X 20 F.10 TRIANGOLO 07/->	COLLAR, ARM ASSY 10 18X20 M.07
12	F12312	2		O RING FILTRO OLIO P.ASPIRAZ.+LEV.	O-RING, OIL FILTER
13	49347.1	1		VITE TE F/R 10X43 1.25 Ch.13	BOLT TE F/R 10X43 1.25 T.10
14	F73523	1		TRAPEZIO LEVERAGGIO SMX 450 Fi MY22 NUDO	
15	73204	1		BOCCOLA TRAPEZIO 20 x 74 F.12	BUSHING 20x74x12, ROD SUSP. 05
16	F49962	1		DADO M 10 X 1,25 CH 14 FLANGIATO	NUT, M10 X 1,25 KEY 14
17	49790	1		PERNO SNODO BIELLA/ROT.CAT.M08	PIVOT, LINKAGE/ROLLER 08/->
18	67088.08	1		ROTELLA CATENA M. 08/->	CHAIN ROLLER 08/->
19	49676	1		DADO M 6X1 FLANG. AUTOBL.ACC.	NUT, FLANGED M6 X 1 S.B.
20	73165	1		TRIANGOLO LEVERAGGIO CPL SMK 450Fi MY 22	
21	73166	1		TRAPEZIO LEVERAGGIO CPL SMK 450Fi MY 22	



4T250FISMK26-T
4T 250 Fi SMK - 4S 250 Fi SMK

RUOTA POSTERIORE
REAR WHEEL



TM 0644



4T250FISMK26-T
4T 250 Fi SMK - 4S 250 Fi SMK

RUOTA POSTERIORE
REAR WHEEL

13

Pos.	Codice	Q.tà	Note	Descrizione	Description
1	70241	1		DISTANZ. RUOTA PST. 2015 DX/SX	COLLAR REAR WHEEL LE.RI. 15->
2	04074	2		PARAPOLVERE RUOTA POST. MOD.15->	DUST SEAL, REAR WHEEL 15 ->
3	49257	1		SEEGER I 43 mm	CIRCLIP D. 43 INTERNAL
4	03071	3		CUSCINETTO RUOTA ANTER. + POSTER.	BUSH, FRONT WHEEL MA50 61905
5	70240	1		DIST.INT.MOZZO RUOTA PST.15 3C 114,2x31 SP2.7	SPACER INT.REAR WHEEL M.15->
6	49443	4		VITE TE 6X16 (10.9)	SCREW TE 6X16
7	69261	1		DISCO FRENO PST.2015 240x114 DF840W	DISC, REAR BRAKE 15-> 240X114
8	70098	2		GIUNTO CATENA REGINA 135 RX3	CHAIN LINK 135 RX3
9	70322	1		DISTANZ. RUOTA POST. LC SMK 2022	
10	70251.22	1		CERCHIO PST 17x5.50 CPL SMK MY 2022 EXCEL BLACK	
11	80240	1		CAMERA ARIA 17 POSTERIORE	TUBE, REAR 17
12	70157	1		FLAP RUOTA POST. SMX 17 4.50 82MM	FLAP, REAR 17
13	70117.1	1	17x5.50 EXCEL BLACK	CERCHIO POST 17x5.50 SM BK	
14	70265	18	4x173	RAGGIO R.PST.4.0/3.3/4.0 X 173	SPOKE 173 4/3,3/4
15	70264	18	4x183	RAGGIO R.PST.4.0/3.3/4.0 X 183	SPOKE 183 4/3,3/4
16	70062	36		NIPPLO ACCIAIO 4	SPOKE NIPPLE 4 mm
17	70319.1	1		MOZZO POSTERIORE MY22 SMX/SMK/SMY NUDO	
18	49643	9		DADO M 8 BASSO AUTOBLOCCANTE	NUT 8mm, LOW SELF-LOCKING
19	49611	9		RONDELLA ACCIAIO 8	WASHER STEEL 8mm
20	49422	9		VITE TSEI 8X30 UNI 5933	BOLT TSEI 8X30
21	70103.47	1		CORONA CATENA Z 47 M. 86/->	SPROCKET 47T, REAR, M.86/->
21	70290.38	1		CORONA CATENA Z 38 M. 86/-> ZF	
21	70290.39	1		CORONA CATENA Z 39 M. 86/-> ZF	
21	70290.40	1		CORONA CATENA Z 40 M. 86/-> ZF	
21	70290.41	1		CORONA CATENA Z 41 M. 86/-> ZF	
21	70290.42	1		CORONA CATENA Z 42 M. 86/-> ZF	
21	70290.43	1		CORONA CATENA Z 43 M. 86/-> ZF	
21	70290.44	1		CORONA CATENA Z 44 M. 86/-> ZF	



4T250FISMK26-T
4T 250 Fi SMK - 4S 250 Fi SMK

RUOTA POSTERIORE
REAR WHEEL

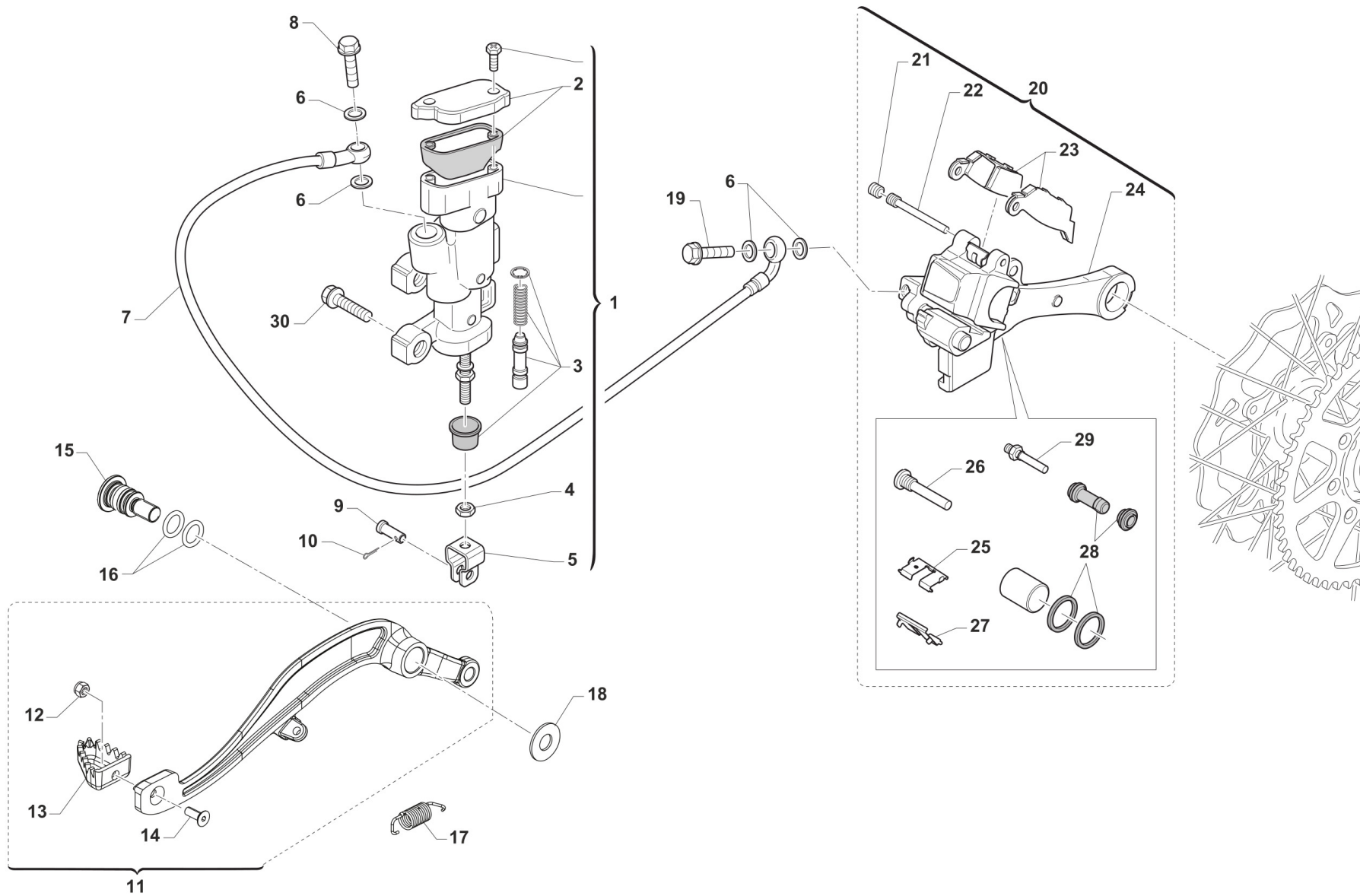
13

Pos.	Codice	Q.tà	Note	Descrizione	Description
21	70290.45	1		CORONA CATENA Z 45 M. 86/-> ZF	
21	70290.46	1		CORONA CATENA Z 46 M. 86/-> ZF	
22	70220.1	1		CATENA REGINA 135GPXVB 110 MG C/GTO TIPO 26	
24	70319	1		MOZZO POSTERIORE MY22 SMX/SMK/SMY CPL	
25	F69545	1		SUPP.PINZA POST.SMX RP Ø25.3 2022	
26	69331	1		DISCO FRENO POSTERIORE SM D.205 mm	BRAKE DISK, REAR SM D. 205 mm



4T250FISMK26-T
4T 250 Fi SMK - 4S 250 Fi SMK

FRENO POSTERIORE
REAR BRAKE



TM 0615.01



4T250FISMK26-T
4T 250 Fi SMK - 4S 250 Fi SMK

FRENO POSTERIORE
REAR BRAKE

14

Pos.	Codice	Q.tà	Note	Descrizione	Description
1	69345	1		POMPA FRENO POST 05/-> INTEGR (OBLO' 2020)	
2	69321	1		KIT TAPPO/GUARN. POMPA PST NIS	CAP AND RUBBER
3	69084.05	1		KIT REV. PIST.POMPA POST.05/->	KIT, REV. REAR MASTER CYL.05->
4	49636	1		DADO M 6	NUT M6
5	69125	1		FORCHETTINA POMPA FRENO POS.05	FORK, REAR BRAKE 05
6	69034	4		RONDELLA X BULLONE FREN B22001	WASHER B22001, BRAKE HOSE
7	F69523	1		TUBO FRENO POSTERIORE SM 2015/2023	HOSE, REAR BRAKE
8	69094	1		BULLONE 10X1.25 T.FRENO NISSIN 03	BOLT,10X1,25 BRAKE HOSE NISSIN
9	69012.05	1		PERNO SNODO FRENO POST. MY 05->	PIN REAR BRAKE MASTER CYL. MY 05->
10	68997	1		COPIGLIA PEDALE FRENO	COTTER PIN BRAKE PEDAL
11	69450	1		PEDALE F.POST 2T 250/300 + 4T 450/530 MY 22	BRAKE PEDAL, REAR 2S 250/300 + 4S 450/530 MY 22
12	49629	1		DADO M 5 ALTO AUTOBLOCCANTE	NUT 5mm, HIGHT SELF-LOCKING
13	69002.99	1		PARTE ANT.PED.FRENO POST.99/->	PIT, RR BRAKE PEDAL 99/->
14	49400	1		VITE TSEI 5X14	BOLT TSEI 5x14
15	F49063	1		VITE FISSAGGIO PEDALE FRENO MY22	
16	12110	2		O RING PEDALE FRENO POST. MY22->	
17	F16482	1		MOLLA PEDALE FRENO MY 22	
18	F48403	1		RONDELLA PEDALE FRENO MY22	
19	69094	1		BULLONE 10X1.25 T.FRENO NISSIN 03	BOLT,10X1,25 BRAKE HOSE NISSIN
20	69185.15	1		PINZA FRENO POST. 15-> NISSIN	BRAKE CALIPER, REAR, M. 15/->
21	69087	1		GRANO PERNO 69088 NISSIN 01/11	SCREW PLUG FOR BRAKE PIN 01/07
22	69088	1		PERNO PAST. POST NISSIN 01/11	PIN, RR BRAKE NISSIN M. 01/->
23	69096.05	1		PASTIGLIE FRENO POST. M.05-> NISSIN	PAD ASSY, RR BRAKE NISSIN MY 05->
24	69285.15	1		SUPPORTO PINZA D. 25 FRENO POST NISSIN 15/->	HOLDER, REAR BRAKE CALIPER
25	69309	1		PIASTR.FERMA P.NISSIN RETAINER	RETAINER BRAKE PADS NISSIN
26	69257	1		PERNO/VITE PINZA POST.01/->	PIN, RR BRAKE CALIPER 01-> NI.
27	69086	1		LAMIERINO PINZA POST NIS 01/->	PLATE, REAR BRAKE CALIPER 01->
28	69258	1		KIT REV.GOMM. PINZA PST 05/->	REAR BRAKE CALIPER RUBBER REVIEW 05/->



4T250FISMK26-T
4T 250 Fi SMK - 4S 250 Fi SMK

FRENO POSTERIORE
REAR BRAKE

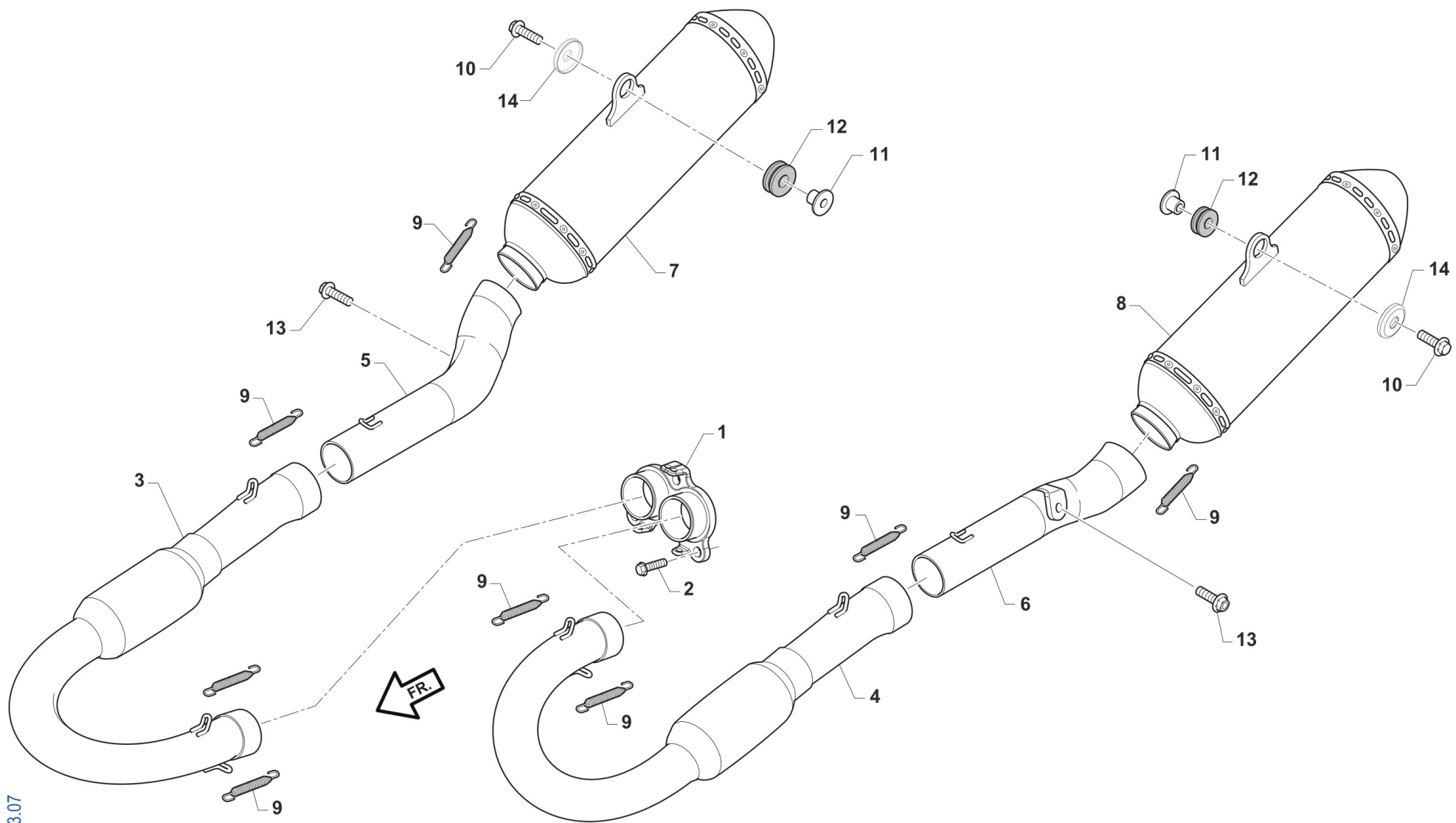
14

Pos.	Codice	Q.tà	Note	Descrizione	Description
29	69232	1		PERNO X PINZA FRENO POST.05/12	PIN, RR BRAKE CALIPER 05/12
30	49574	2		VITE TBCE 6 x 12 PLASTICHE	BOLT TBCE 6x12



4T250FISMK26-T
4T 250 Fi SMK - 4S 250 Fi SMK

SCARICO
EXHAUST SYSTEM



TM 0613.07

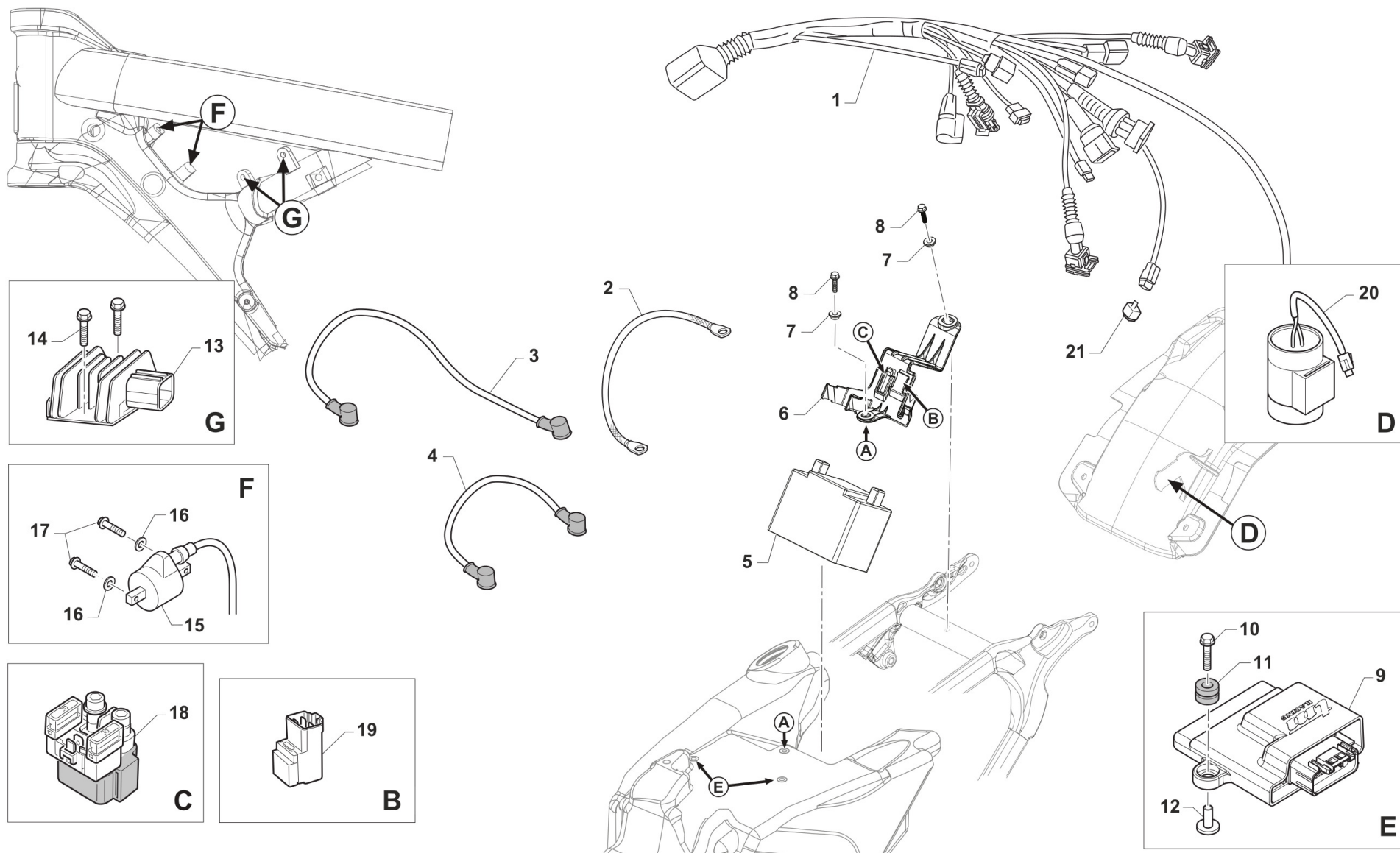


4T250FISMK26-T
4T 250 Fi SMK - 4S 250 Fi SMK

SCARICO
EXHAUST SYSTEM

15

Pos.	Codice	Q.tà	Note	Descrizione	Description
1	F27624	1		COLLETTORE DI SCARICO INCLINATO 250 REPLICA 2022	
2	49483	3		VITE TCEI 6X16 UNI 5931	BOLT TCEI 6X16
3	F27640	1		COLLET. SEC. 250/300 Fi DX MY22->(USE ONLY FOR RACES)	
4	F27641	1		COLLET. SEC. 250/300 Fi SX MY22->(USE ONLY FOR RACES)	
5	F27642	1		COLLET. CENTRALE 250/300 DX MY22->	
6	F27643	1		COLLET. CENTRALE 250/300 SX MY22->	
7	F27644	1		SILENZIATORE 250/300 DX MY22->WITH SPARKNET	
8	F27645	1		SILENZIATORE 250/300 SX MY22->WITH SPARKNET	
9	F27476	8		MOLLA TR.SCARICO BICONICA 4T M08 MM42 ACCIAIO INOX	SPRING, EXHAUST MM42 INOX
10	49898	2		VITE TE F/R 8X30 Ch.10	
11	26196	2		BOCCOLA GOMMINO SILENZ. HGS MY22->	
12	21142	2		GOMMINO SILENZIATORE HGS MY22->	
13	490006	2		VITE TBCEI 8 x 20 ISO 7380 FLANGE 10.9	
14	48264	2		DISTANZIALE ESTERNO FISSAGGIO SCARICO	



TM 0621



4T250FISMK26-T
4T 250 Fi SMK - 4S 250 Fi SMK

CALBAGGI
WIRING

16

Pos.	Codice	Q.tà	Note	Descrizione	Description
1	F68329	1		CABLAGGIO 4T 250/300/450/530 Fi MY2022	
2	50267	1		TRECCIA DI MASSA E.S. MY 22->	
3	F68334	1		CAVO BATTERIA NERO M. 2022	
4	F68333	1		CAVO BATTERIA ROSSO M. 2022	
5	68226	1		BATTERIA LITIO 12V 14AH	
5	68336	1		BATTERIA LITIO 12V ULT 1B	
5	68339	1		BATTERIA LFS-02 40 12.8V- 4.0Ah (+/-) 51.2Wh 113*70*85	
6	F68326	1		SUPPORTO COMPONENTI ELETTRICI MOTO 4T MY22	
7	26187	2		BOCCOLA FISSAGGIO PARAF/SUPP.COMP.ELET. MX/SMX MY22 15x6 F.6	
8	49374	2		VITE TB LARGA 5X20	BOLT TB 5X20
9	F08492.0	1		CENTRALINA 250 4T SMX MY2022	
10	49913	2		VITE TE/FLANG. 5X20	
11	21045	2		GOMMINO C/CHILOM. & CDI 08/11	RUBBER, SPEEDOMETER/CDI 08/13
12	F26498	2		BOCCOLA CENTRALINA INIEZIONE F.5 H 12,5	
13	F15559	1		REGOLATORE KOKUSAN RX4513 ZERO SOSTITUISCE COD. F15476	REGULATOR KOKUSAN RX4513 REPLACE CODE F15476
14	49356	2		VITE TE F/R 6X20 Ch.8	BOLT 6X20 T.8
15	F15458	1		BOBINA KOKUSAN 4T MX PICCOLA	COIL, INGNITION KOK IG5132
16	49603	2		RONDELLA M 6,4 X 12 X 1,6	WASHER 6x12
17	49357	2		VITE TE F/R 6X25 Ch.8	BOLT 6X25 T.8
18	F68102	1		RELAY AVV. ELETTRICO 2 e 4 TEMPI	RELAY, ELECTRIC STARTER
19	F68212	1		RELAY AVV. ELETTRICO PAN. M2015->	RELAY EL. STARTER M.-> 15
20	F15557	1		CONDENSATORE SHINDENGEN ADP19	CAPACITOR SHINDENGEN ADP19
21	F68184	1		DIODO SDG	

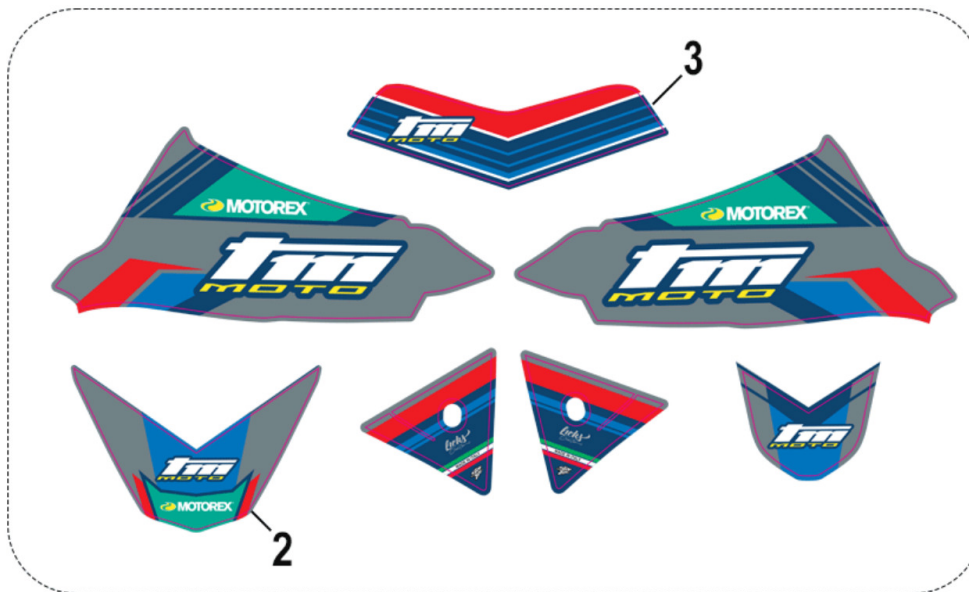


4T250FISMK26-T
 4T 250 Fi SMK - 4S 250 Fi SMK

KIT ADESIVI SM

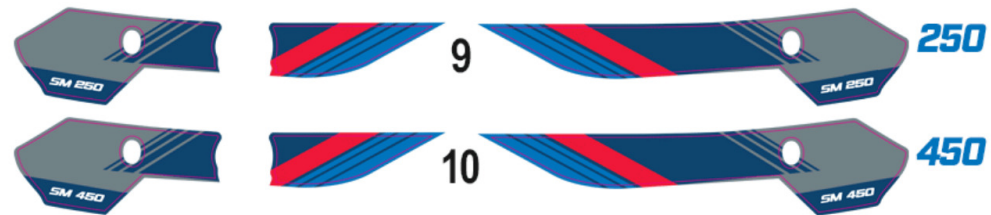


4



2T-2S

4T-4S





4T250FISMK26-T
4T 250 Fi SMK - 4S 250 Fi SMK

KIT ADESIVI SM

17

Pos.	Codice	Q.tà	Note	Descrizione	Description
1	94317.26	1		KIT ADESIVI - TM MOTO - M.2026 S/POST.	
2	94104.26	1		ADESIVO PARAFANGO ANT. SM -TM MOTO- MY26	
3	94161.26	1		ADESIVO PORTAFARO -TM MOTO- MY26	
4	94173	1		KIT ADESIVI FORC. KAYABA NERI	DECAL KYB BLACK
5	94335.125	1		KIT AD. LAT. P.NUM 2T SM 125 TM MOTO MY26	
6	94335.300	1		KIT AD. LAT. P.NUM 2T SM 300 TM MOTO MY26	
9	94336.250	1		KIT AD. LAT. P.NUM 4T SM 250 TM MOTO MY26	
10	94336.450	1		KIT AD. LAT. P.NUM 4T SM 450 TM MOTO MY26	