



2T85SMXJ26-T

2T 85 SMX JUNIOR

2S 85 SMX JUNIOR

10/11/2025

TM MOTO SRL UNIPERSONALE - VIA FANO, 6 - 61122 PESARO – ITALY

WWW.TM-MOTO.IT



2T85SMXJ26-T
2T 85 SMX JUNIOR - 2S 85 SMX JUNIOR

SOMMARIO
TABLE OF CONTENTS

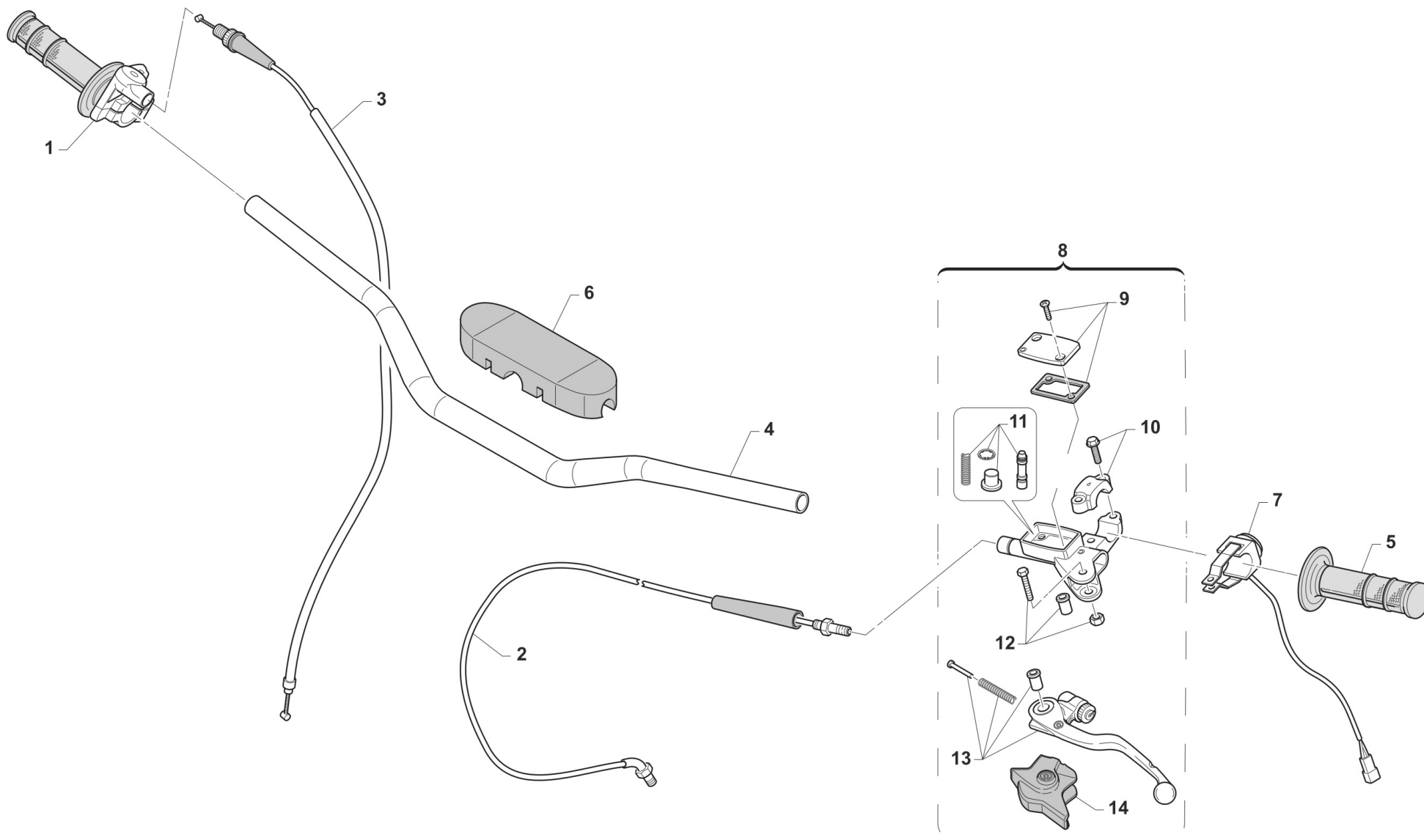
MANUBRIO - HANDLEBAR.....	3
FRENO ANTERIORE - FRONT BRAKE.....	5
FORCELLA MUPO 38 SMX - FORK, MUPO 38 SMX.....	7
RUOTA ANTERIORE - FRONT WHEEL.....	9
IMPIANTO RAFFREDDAMENTO - RADIATOR.....	11
SERBATOIO - FUEL TANK.....	13
TELAIO - FRAME.....	15
PALSTICHE E SELLA - PLASTICS AND SEAT.....	17
FILTRO ARIA - AIR FILTER.....	19
FORCELLONE - SWINGARM.....	21
LEVERAGGI - LINKAGE.....	23
RUOTA POSTERIORE SMX - REAR WHEEL SMX.....	25
FRENO POSTERIORE - REAR BRAKE.....	27
SCARICO - EXHAUST SYSTEM.....	30
KIT ADESIVI SMX-J - DECALS KIT SMX-J.....	32



2T85SMXJ26-T
2T 85 SMX JUNIOR - 2S 85 SMX JUNIOR

MANUBRIO
HANDLEBAR

1



TM0106



2T85SMXJ26-T
2T 85 SMX JUNIOR - 2S 85 SMX JUNIOR

MANUBRIO
HANDLEBAR

1

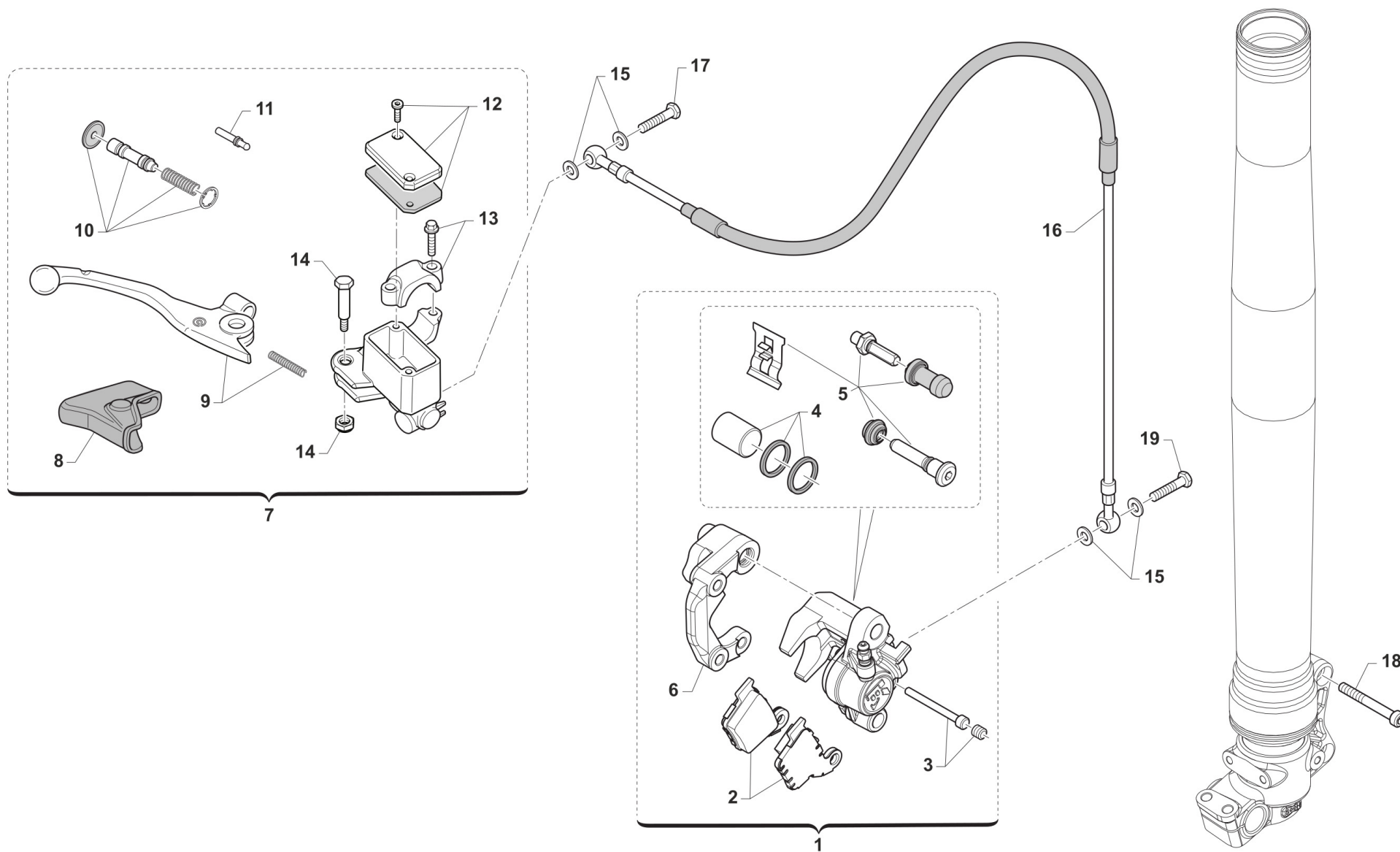
Pos.	Codice	Q.tà	Note	Descrizione	Description
1	64017	1		COMANDO GAS DOMINO MOD. 99->	THROTTLE CONTROL DOMINO 2S 99/->
2	35270.13	1		TUBO FRIZ. IDR. 85J M.13/-> WH	HYDR.CLUTCH HOSE 85J M.13->
3	64040	1		CAVO GAS JUNIOR M.13->	THROTTLE CABLE JUNIOR 13
4	64086	1		MANUBRIO TECLIN 85J + MB M.13/->	
5	64087	1		MANOPOLE COPPIA CIRCUIT IV (AZZURRO)	
6	64078.1	1		PARACOLPI MANUBRIO TM 2013 NR	PROTECTION FOR HANDLEBAR TM BLACK
7	68068	1		PULSANTE DI MASSA 85cc J13	SWITCH, ENGINE STOP 85cc 13/->
8	69360	1		POMPA FRIZIONE PS 9/17.7 BREMBO	PUMP, CLUTCH PS 9/17.7 BREMBO
9	64266	1		COPERCH./MEMBRAN.P.FRIZ.BREMBO 69360	
10	69362	1		CAVALLOTTO POMPA FRENO ANT PS10/16	HOLDER
11	64265	1		FLOTTANTE POMPA FRIZ. BREMBO 69360 9/17	
12	64245	1		PERNO LEVA POMPA FRIZ. BREMBO	PIN
13	64241	1		LEVA FRIZIONE BREMBO RICAMBIO	LEVER, CLUTCH BREMBO
14	64238	1		PARAPOLVERE POMPA FRIZIONE BR.	DUST SEAL,CLUTCH MASTER CYL.BR



2T85SMXJ26-T
2T 85 SMX JUNIOR - 2S 85 SMX JUNIOR

FRENO ANTERIORE
FRONT BRAKE

2



TM0107



2T85SMXJ26-T
2T 85 SMX JUNIOR - 2S 85 SMX JUNIOR

FRENO ANTERIORE
FRONT BRAKE

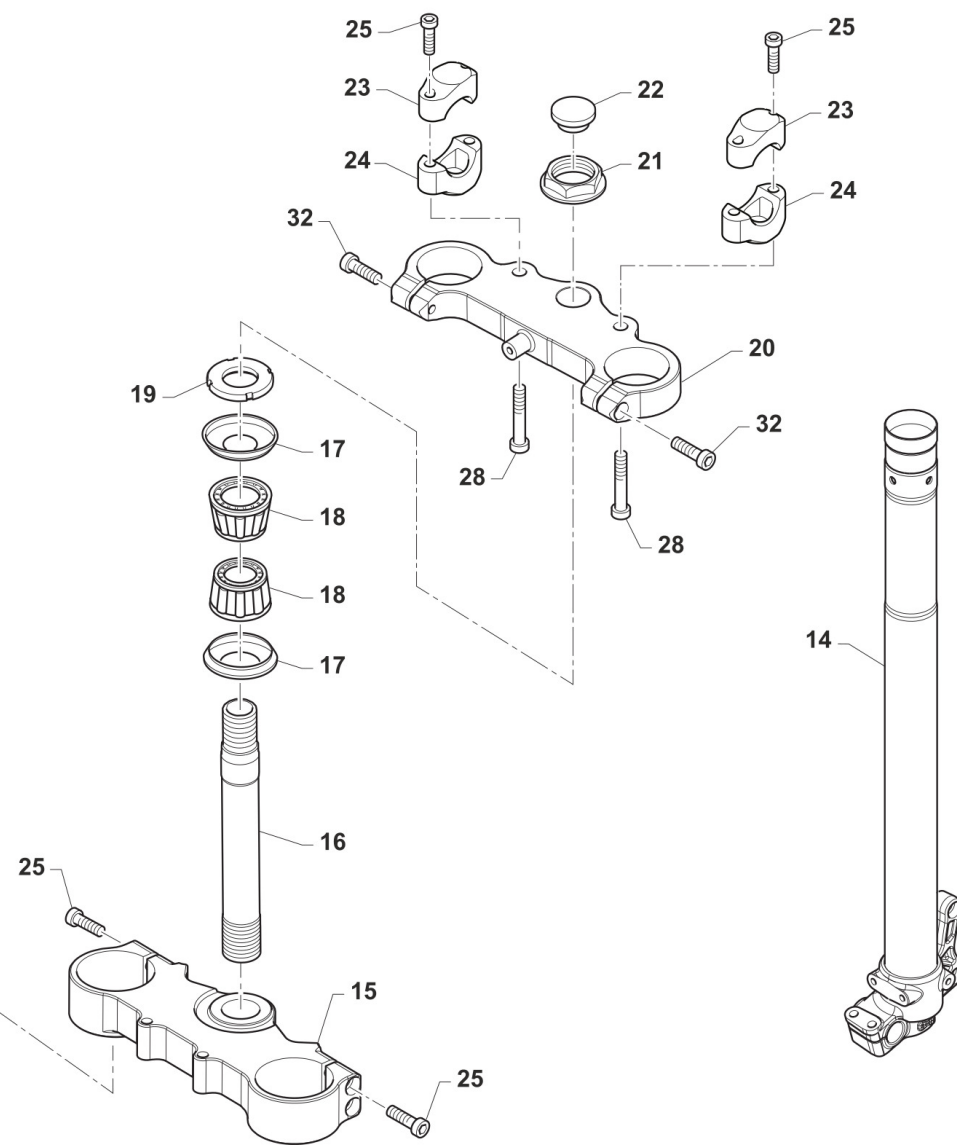
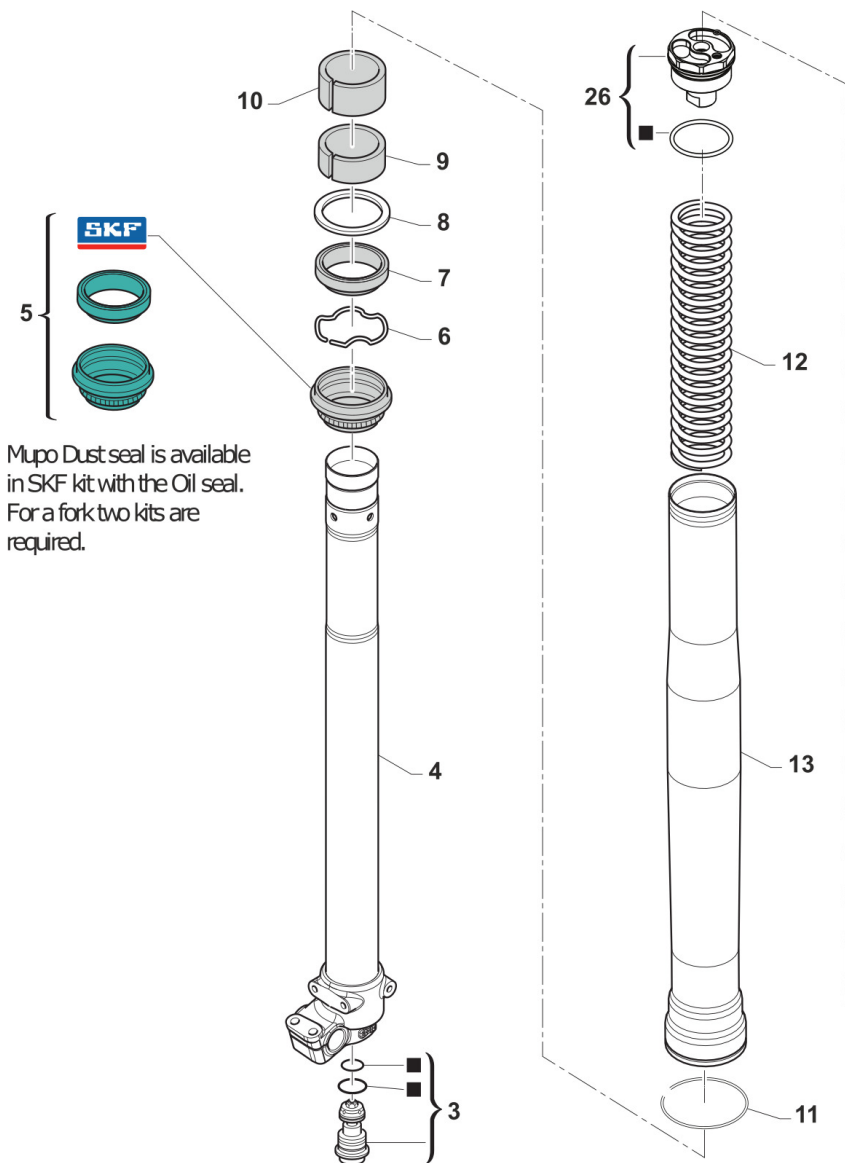
2

Pos.	Codice	Q.tà	Note	Descrizione	Description
1	69236	1		PINZA FRENO ANTERIORE J M13->	BRAKE CALIPER, FRONT JUNIOR
2	69247	1		PASTIGLIE ANT. / POST. JUNIOR M.13->	PAD KIT, F.&R. CALIPER J 13
3	69280	1		PERNO + GRANO PAST. ANT/POST BRAKING JUNIOR	PIN+GRUB ANT/POST BRAKING JUNIOR
4	ND	1		NON DISPONIBILE	TEMPORARILY NOT AVAILABLE
5	69254	1		KIT VITI + CUFFIE + LAMIERINO PINZA ANT/POST BRAKING JUNIOR	BOLT+RETAINER BRAKE PAD ANT/POST JUNIOR
6	69343	1		SUPPORTO PINZA ANT BRAKING J13	HOLDER, FRONT BRAKE CALIPER
7	69248	1		POMPA FRENO ANT PS10/16 BREMBO	FRONT MASTER CYLINDER PS 10/16 BREMBO
8	69363	1		CAPPUCCIO POMPA FRENO ANT PS10/16	RUBBER FRONT MASTER CYLINDER BREMBO
9	69357	1		LEVA FRENO ANT BR. X 69248	BRAKE FRONT LEVER BREMBO X 69248
10	69358	1		KIT FLOTTANTE POMPA FREN.69248	CYLINDER AND RUBBER KIT 69248
11	69364	1		PUNTALINO POMPA FRENO ANT PS10/16	PUSH ROD
12	69368	1		TAPPO POMPA FRENO BREMBO 69248	CAP
13	69362	1		CAVALLOTTO POMPA FRENO ANT PS10/16	HOLDER
14	69365	1		PERNO LEVA POMPA FRENO ANT PS10/16	PIN, LEVER
15	69034	4		RONDELLA X BULLONE FREN B22001	WASHER B22001, BRAKE HOSE
16	69246	1		TUBO FRENO ANT 85J + MB M. 13/->	HOSE, FRONT BRAKE 85J M. 13->
17	69093	1		BULLONE 10X1 TUBO FRENO BREMBO 03	HOLLOW SCREW M10X1 BREMBO BR.
18	49501	2		VITE TCEI 8X25 UNI 5931	BOLT TCEI 8X25
19	69094	1		BULLONE 10X1.25 T.FRENO NISSIN 03	BOLT,10X1,25 BRAKE HOSE NISSIN



2T85SMXJ26-T
2T 85 SMX JUNIOR - 2S 85 SMX JUNIOR

FORCELLA MUPO 38 SMX
FORK, MUPO 38 SMX



MUPO 38

0108.04



2T85SMXJ26-T
2T 85 SMX JUNIOR - 2S 85 SMX JUNIOR

FORCELLA MUPO 38 SMX
FORK, MUPO 38 SMX

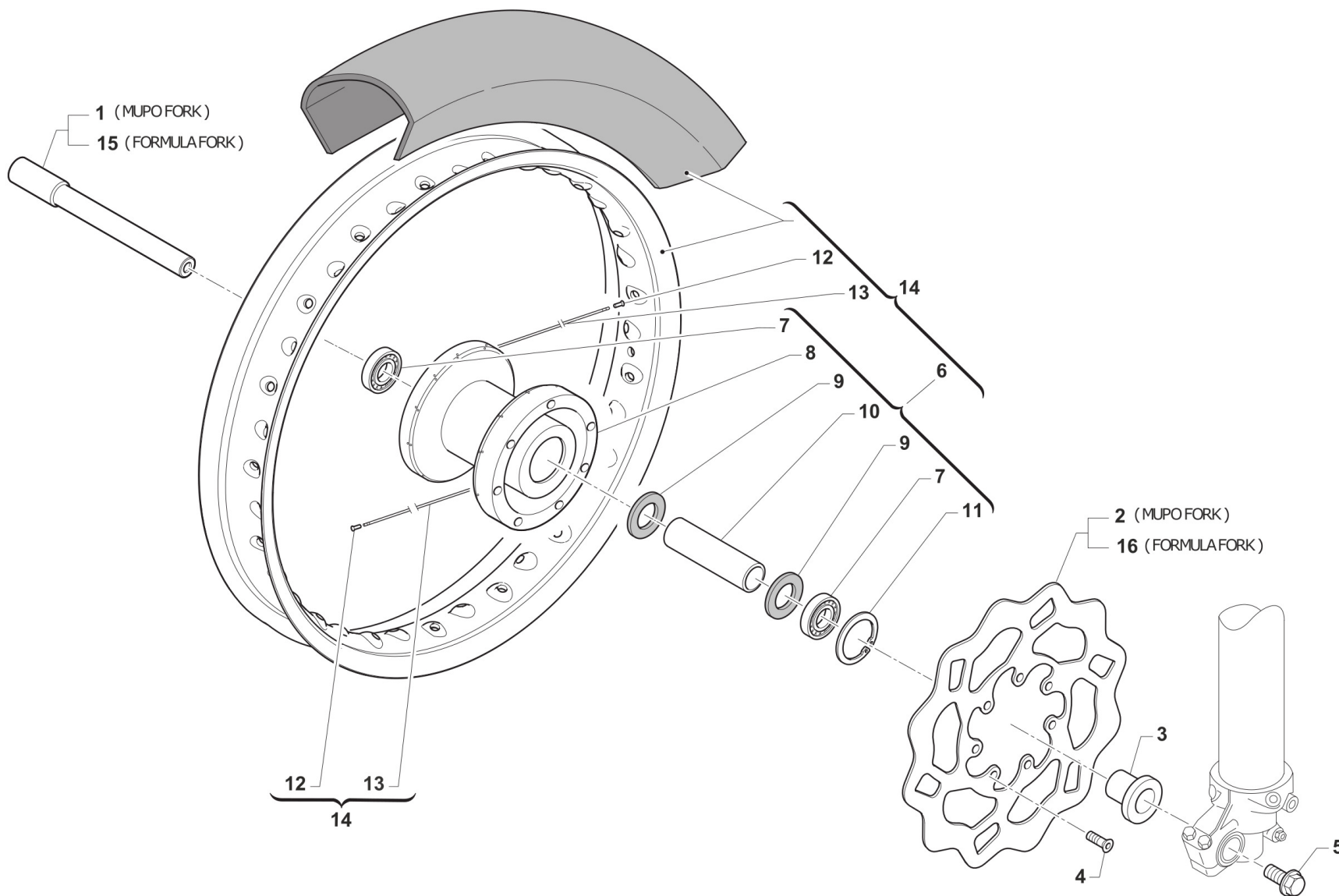
3

Pos.	Codice	Q.tà	Note	Descrizione	Description
3	72267	2		ASSIEME PORTA PIST.COMPL.FORC. MUPO	REBOUND ADJUSTER MUPO 38
4	72285	1		GRUPPO TUBO FORZA DX MUPO D.39	
5	72441	2		KIT PARAOLIO-PARAPOLVERE F.38	
6	72265	2		ANELLO DI ARRESTO FORC. MUPO	RING MUPO 38
7	72260	2		PARAOLIO FORCELLA MUPO 38	OIL SEAL MUPO 38
8	72264	2		RONDELLA PARAOLIO FORC. MUPO	WASHER, OIL SEAL, MUPO
9	72262	2		BOCCOLA DU FORCELLA MUPO 38x42x12	BUSHING MUPO 38x42x12
10	72263	2		BOCCOLA DU FORCELLA MUPO 38x36x20	BUSHING MUPO 38x36x20
11	72266	2		ANELLO SEEGER FORC. MUPO	CIRCLIP, PROTECION, MUPO 38
12	72287.1	2		MOLLA FORCELLA MUPO D.38 K 4.5 - 85j SMX	
13	72284	2		FODERO FORCELLA MUPO USD D.39	
14	72286	1		GRUPPO TUBO FORZA SX MUPO D.39	
15	72118	1		PIASTRA INF.FORC 85J 13/-> F39	FORK BRIDGE, BOTTOM 85J 13->
16	72097	1		CANOTTO STERZO 85J M. 13/->	STEERING STEM, JUNIOR MY13
17	72002.01	2		PROTEZ. CUSC/CANOTTO STERZO JUN.13 ->	DUST SEAL, STEERING STEM J13->
18	03072	2		CUSCINETTO CONICO STERZO J '13	BUSH, STEERING JUNIOR 11/->
19	72099	1		GHIERA CANNOTTO STERZO J. 2011	NUT, STEERING BEARING 85J 11->
20	72119	1		PIASTRA SUP.FORC 85J 13/-> F39	FORK TRPLE CLAMP 85J 13->
21	72098	1		DADO CANOTTO STERZO 85J 13/->	NUT, STEERING BEARING 85J 13->
22	21033	1		TAPPO PLAST.D25 -CANOT.STER.EN	PLASTIC CAP D.25mm STEER. AXE
23	72036.11	2		CAVALLOTTO SUP.M.11 SILVER	UPPER HANDLEBAR M.11 SILVER
24	72124	2		CAVALLOTTO INF. 85J M.13/->	LOWER HANDLEBAR 85J M.13->
25	49502	8		VITE TCEI 8X30	BOLT TCEI 8X30
26	72268	2		TAPPO CARTUCCIA COMPL.FORC. MUPO	TOP CAP MUPO 38
28	49758	2		VITE TCEI 10X30	BOLT TCEI 10X30
32	49501	2		VITE TCEI 8X25 UNI 5931	BOLT TCEI 8X25



2T85SMXJ26-T
2T 85 SMX JUNIOR - 2S 85 SMX JUNIOR

RUOTA ANTERIORE
FRONT WHEEL



110.01



2T85SMXJ26-T
2T 85 SMX JUNIOR - 2S 85 SMX JUNIOR

RUOTA ANTERIORE
FRONT WHEEL

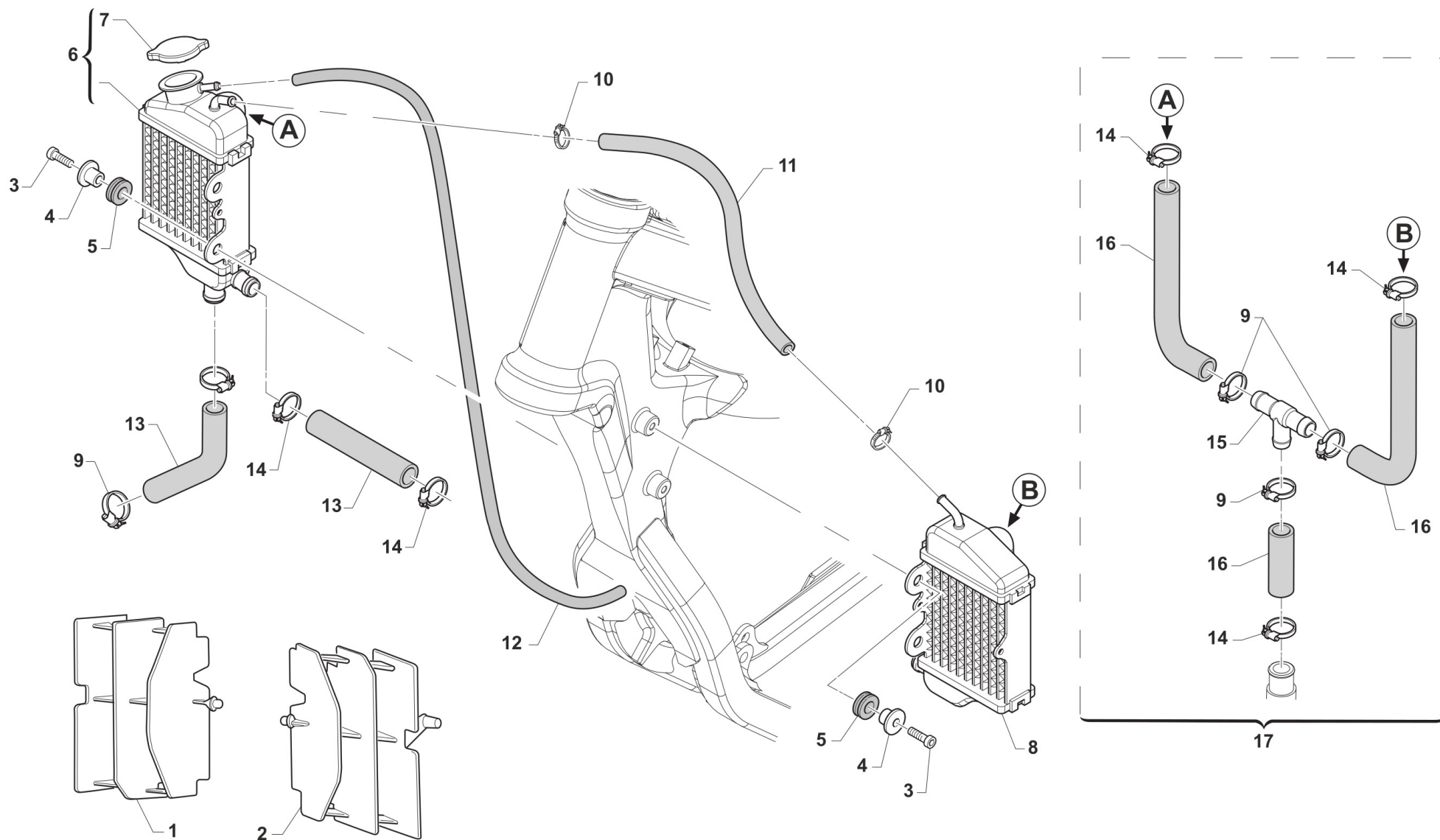
4

Pos.	Codice	Q.tà	Note	Descrizione	Description
1	74060	2		PERNO RUOTA ANT 85j MY13 20-17X200 FORC. MUPO	AXLE, FRONT WHEEL, JUNIOR, MUPO 38
2	69307	1		DISCO FRENO 240X3 ANT J '18 MM - FORC. MUPO	BRAKE DISK, FRONT, JUNIOR, MUPO 38
3	26144	1		BOCCOLA CUSC.R.ANT.J13 15 F.17	BUSH, FRONT WHEEL BEA.J 15 H17
4	49370	7		VITE TE F/R 6X12	BOLT 6X12
5	49084	1		DADO PERNO R.ANT 85 J M. 13/->	NUT, AXLE FRONT WHEEL 85J 13->
6	70221	1		MOZZO ANT 80/85J 13/-> CPL	FRONT HUB ASSY, JUNIOR
7	03062	2		CUSCINETTO RUOTA ANT 6003 85J	BUSH, FRONT WHEEL BRAKE SIDE
8	70221.1	1		MOZZO ANT 80/85J 13/-> NUDO	HUB, FRONT
9	12062	1		O RING DISTANZIALE RUOTA JUNIOR M.13->	O-RING SPACER WHEEL JUNIOR MY 13->
10	70231	1		DIST.INTERNO RUOTA ANT. JUNIOR M.13->	INNER SPACER FRONT WHEEL J. M.13->
11	49261	1		SEEGER MOZZO FORC.45/50/BS I35	SEEGER, FRONT WHEEL HUB I35
12	70313	28		NIPPLO ACCIAIO 3 (85 SMX)	NIPPLE 3MM
13	70310	28		RAGGIO R.ANT 85 SMX 128 X 3.0	SPOKE, FRONT SMX-J
14	70239.1	1		RUOTA ANT.CPL.JUNIOR 12 13 C/G SMX, COMPLETA DI GOMMA MONTATA	WHEEL, FRONT, SMX-J ASSY WITH TYRE 12
15	74058	1		PERNO RUOTA ANT 85j MY13 20-17X209 FORC. FORMULA	AXLE, FR WHEEL 85J M.13
16	69306	1		DISCO FRENO 220X3 ANT J '17 MM	BRAKE DISK, FRONT 220x3 JUNIOR



2T85SMXJ26-T
2T 85 SMX JUNIOR - 2S 85 SMX JUNIOR

IMPIANTO RAFFREDDAMENTO
RADIATOR



TM0111



2T85SMXJ26-T
2T 85 SMX JUNIOR - 2S 85 SMX JUNIOR

IMPIANTO RAFFREDDAMENTO
RADIATOR

5

Pos.	Codice	Q.tà	Note	Descrizione	Description
1	23016	1		PROT. RADIATORE DX 80J 45333	GUARD, RADIATOR RIGHT 80J
2	23017	1		PROT. RADIATORE SX 80J 45332	GUARD, RADIATOR LEFT 80J
3	49484	4		VITE TCEI 6X20	BOLT TCEI 6X20
4	26064	4		BOCCOLA RADIATORE MY 02 / 06 ->	BUSH, RADIATOR M.02/06
5	21102	4		GOMMINO ANTIV.RADIAT.SILENZ. MY 94->	RUBBER, GROMMET RADIATOR and SILENC.
6	23067	1		RADIATORE 2T DX JUN MY19 FA L.TAP	RADIATOR RH JUNIOR
7	23062	1		TAPPO RADIATORE 1,8 BASSO(PER RADIATORE 23065)	RADIATOR CAP 1,8
8	23068	1		RADIATORE 2T SX JUN MY19 FA	RADIATOR LH JUNIOR
9	51036	4		FASCETTA A COLLARE DIAM.24 ZN	CLIP, WATER HOSE, d.24 ZN
10	51014	2		FASCETTA INOX 9 - 14 H5 IMBUT	BAND, INOX 9-14 H5 IMBUT
11	67036	1		TUBO ANTIBENZINA 8 x 14	HOSE, OIL/FUEL 8x14
12	67170	1		TUBO COPOLAN GRIGIO 5x9 mm (rotolo 200 ml.)	HOSE, COPOLAN GREY 5x9 mm
13	21020	1		MANICOTTO ACQUA LUNGO 90	HOSE, RUBBER 90cms
14	51062	5		FASCETTA A COLLARE DIAM.22 ZN	CLIP, WATER HOSE, d.22 ZN
15	21071	1		Raccordo a T radiatori Junior 2019	JOINT, RADIATOR JUNIOR
16	F21413.1	2		MANICOTTO ACQUA RADIATORE 05->	WATER HOSE RADIATOR M.2005
17	21122.19	1		MANICOTTO COLL. TESTA A RAD DX E SX 85J	HOSES KIT WATER, HEAD TO COOLER 85J



2T85SMXJ26-T
2T 85 SMX JUNIOR - 2S 85 SMX JUNIOR

SERBATOIO
FUEL TANK

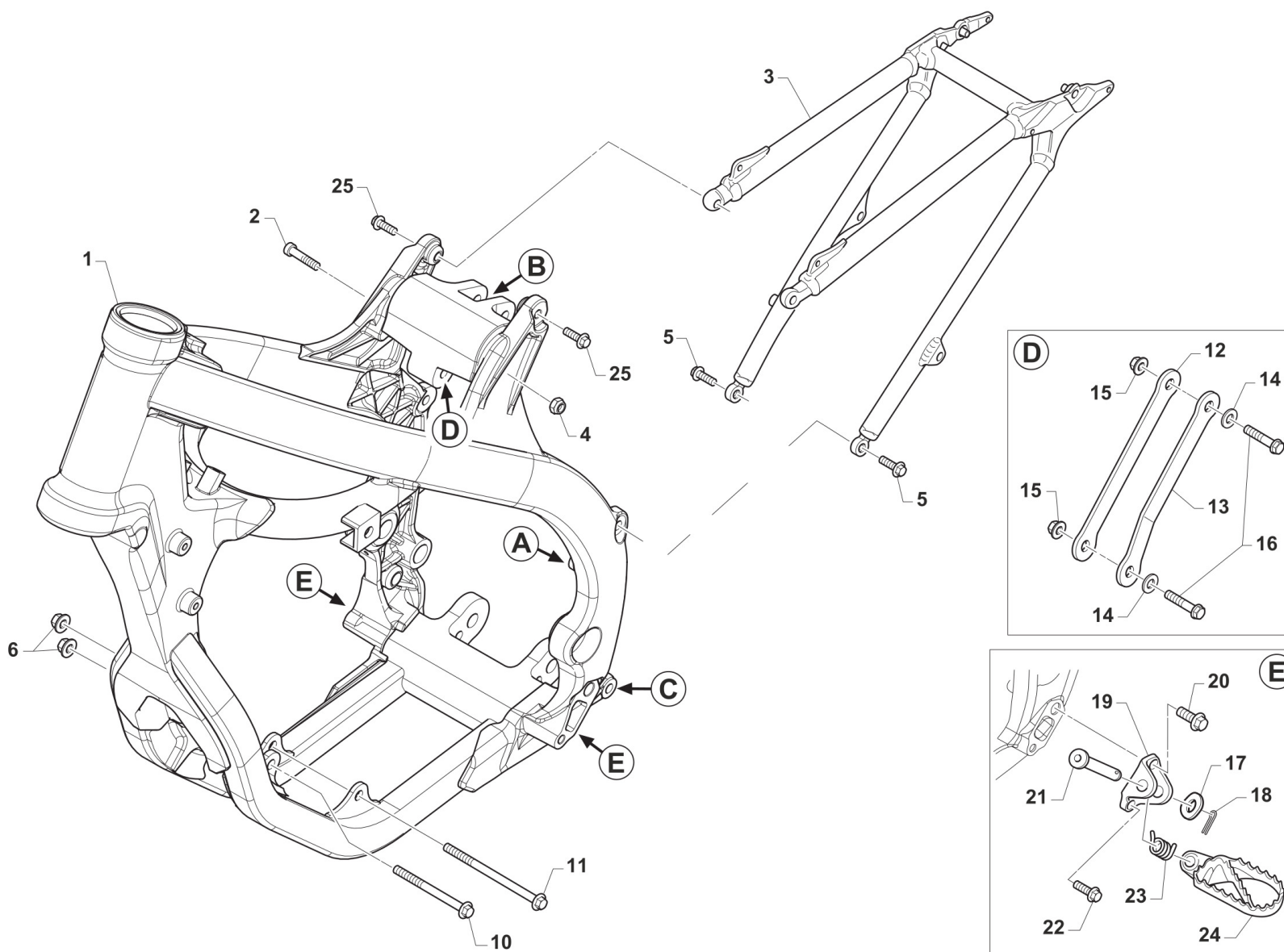
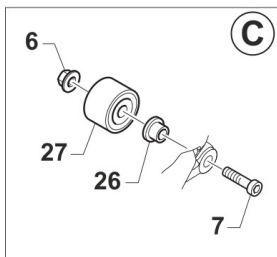
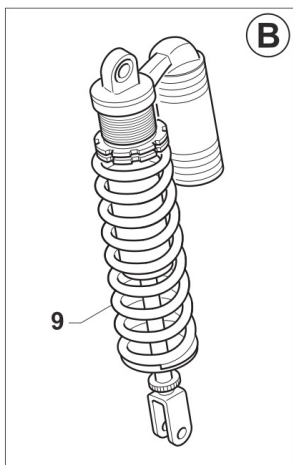
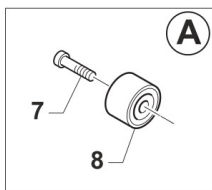
6

Pos.	Codice	Q.tà	Note	Descrizione	Description
1	67320	1		SERBATOIO 85J COMPLETO M.13/-> PLASTICA	FUEL TANK ASSY, JUNIOR
2	67311	1		SERBATOIO 85J M.13/-> PLASTICA NERO	FUEL TANK 85J M.13->
3	65061	1		RUBINETTO BENZINA DIRITTO J-13/ carb 2022	FUEL COCK J13->
4	49435	2		VITE TE 5X12	SCREW TE 5X12
5	26083	1		BOCCOLA FISS.SELLA/SERBAT. M08	BUSH, FIX SEAT / TANK M.08->
6	49404	1		VITE TSEI 6X16	BOLT TSEI 6x16
7	65009	1		TAPPO SERBATOIO PICC.98-07/ 15	CAP, FUEL TANK M.98/07
8	F49822	1		VITE ES.FLANG.M6X12 T.AL.M08	BOLT, 6X12 AL. FRAME M.08->
9	26082	1		PIASTRINO PL.SERBATOIO M 08/10	PLASTIC PLATE TANK M.08->10
10	49574	2		VITE TBCE 6 x 12 PLASTICHE	BOLT TBCE 6x12



2T85SMXJ26-T
2T 85 SMX JUNIOR - 2S 85 SMX JUNIOR

TELAIO
FRAME



TM0113



2T85SMXJ26-T
2T 85 SMX JUNIOR - 2S 85 SMX JUNIOR

TELAIO
FRAME

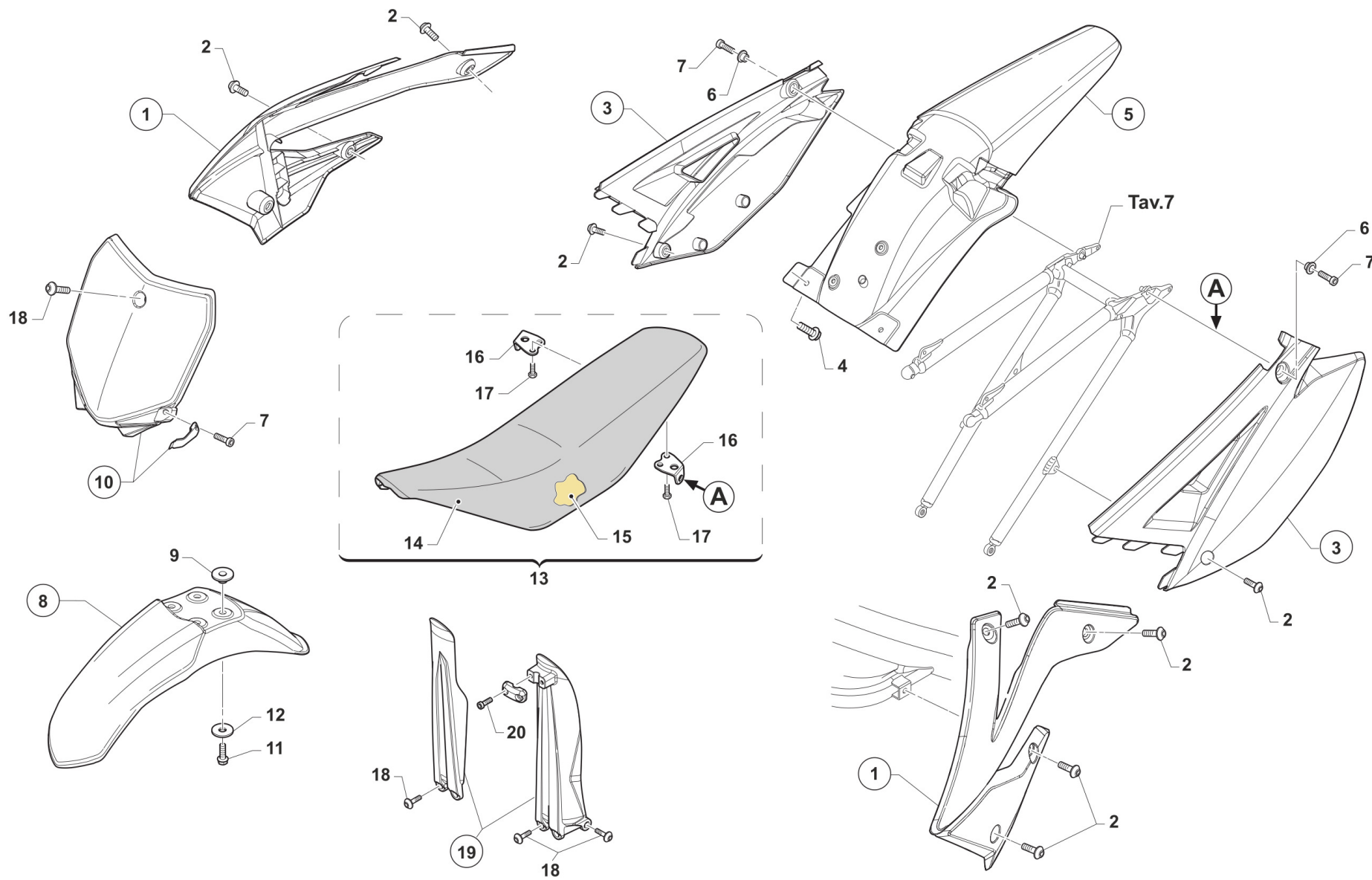
7

Pos.	Codice	Q.tà	Note	Descrizione	Description
1	73000.13	1		TELAIO MOTO 80/85/100 AL J13	FRAME JUNIOR MY13
2	49792	1		VITE TE F/R 10X54 1.25 T.AL08	BOLT, M10X1.25X54 ALU.FRAME08
3	73002.12	1		CODINO TELAIO 85 JUNIOR M. 13	REAR SUBFRAME 85J M.13->
4	49681	1		DADO M 10 X 1,25 CH 14 FLANG. AUTOBLOCK	NUT M10x1,25 FLANGED SELF-LOCK
5	49724	2		VITE TE F/R 8X21	BOLT TE F/R 8x21
6	49680	3		DADO M 8 X 1,25 CH 12 FLANG. AUTOBLOCK	NUT, M 8X1,25 FLANG. SB
7	49366	2		VITE TE F/R 8X40 Ch.10	BOLT 8X40 T.10mm
8	67088	1		ROTELLA CATENA M. 90/07	CHAIN ROLLER M.90/07
9	72132	1		AMMORTIZZATORE EXTREMETECH J13	SHOCK ABSORBER EXTREMETECH J13
10	49353	1		VITE TE F/R 8X90 1.25 Ch.10	SCREW TE F/R 8X90 1.25 Ch.10
11	49354	1		VITE TE F/R 8X120 1.25 Ch.10	SCREW TE F/R 8X120 1.25 T.10
12	26228	1		PIASTRA TIRANTE 85/100 J DX MY 13/->	PLATE RH, CYLINDER/FRAME 85-100 J
13	26229	1		PIASTRA TIRANTE 85/100 J SX MY 13/->	PLATE LH, CYLINDER/FRAME 85-100 J
14	49611	2		RONDELLA ACCIAIO 8	WASHER STEEL 8mm
15	49680	2		DADO M 8 X 1,25 CH 12 FLANG. AUTOBLOCK	NUT, M 8X1,25 FLANG. SB
16	49445	2		VITE TE 8X50 UNI 5737	BOLT EH 8X50
17	49612	2		RONDELLA ACCIAIO 10	STEEL WASHER 10
18	73036	2		COPIGLIA PEDANA M. 92/01	COTTER PIN FOOTPEG 92/01
19	00692	2		PIASTRINO TELAIO AL.ATT.PED.08	HOLDER, FOOTPEGS, M. 08/->
20	49382	2		VITE ESAG.FLANG.M12X25 T.A.	BOLT 12 X 25 FLANGE
21	73064	2		PERNO PEDANE M.08-> X T.ALLUM.	PIN, FOOT PEG, 08/->
22	49383	2		VITE ESAG.FLANG.M8X1.25X20 T.A	BOLT 8 X 20 FLANGE
23	16022	2		MOLLA RITORNO PEDANE M.08/->	SPRING, FOOT PEG PIN 08/->
24	73048.10	1		PEDANA DX MOD. 2010	FOOTPEG, RIGHT M.10->
24	73049.10	1		PEDANA SX MOD. 2010	FOOTPEG, LEFT M.10->
25	49364	2		VITE TE F/R 8X25 Ch.10	BOLT, EH 8X25 To.10 mm
26	26141	1		BOCCOLA ROTELLA CATENA.JUN'13	BUSH, CHAIN WHEEL JUNIOR 13->
27	67088.08	1		ROTELLA CATENA M. 08/->	CHAIN ROLLER 08/->



2T85SMXJ26-T
2T 85 SMX JUNIOR - 2S 85 SMX JUNIOR

PALSTICHE E SELLA
PLASTICS AND SEAT



0114.07



2T85SMXJ26-T
2T 85 SMX JUNIOR - 2S 85 SMX JUNIOR

PALSTICHE E SELLA
PLASTICS AND SEAT

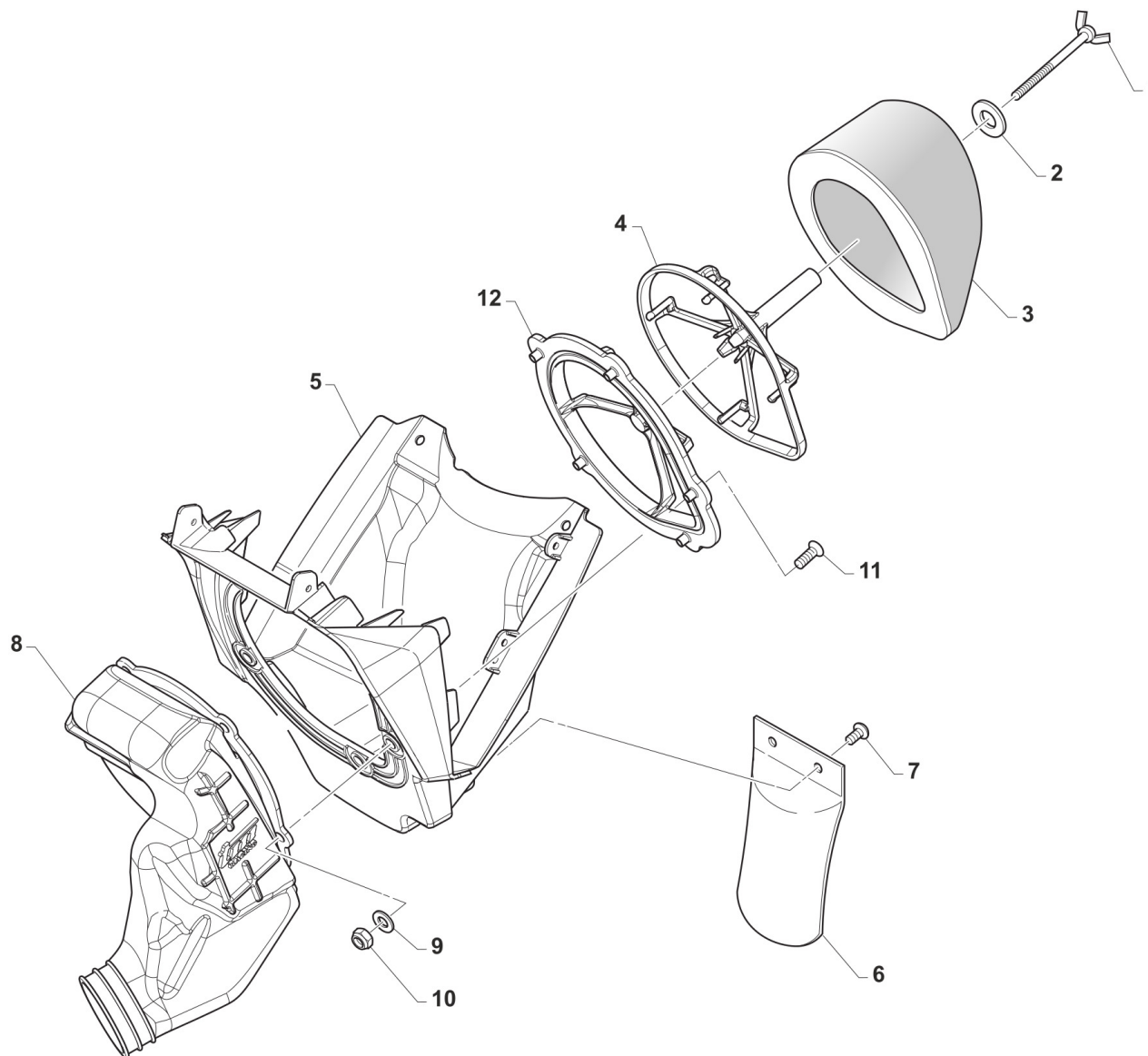
8

Pos.	Codice	Q.tà	Note	Descrizione	Description
1	67490	1		SET CONV. ARIA 2T 85 J MY 2025 QUANTUM	RAD SHROUDS, JUNIOR MY25 - QUANTUM GREY
2	49574	10		VITE TBCE 6 x 12 PLASTICHE	BOLT TBCE 6x12
3	67491	1		SET LAT P.NUM 2T 85 J MY 2025 QUANTUM	SIDE PANELS RH+LH JUNIOR MY25 - QUANTUM GREY
4	49356	2		VITE TE F/R 6X20 Ch.8	BOLT 6X20 T.8
5	67483	1		PARAFANGO POSTERIORE JUNIOR'25 QUANTUM	MUDGUARD, REAR JUNIOR MY25 - QUANTUM GREY
6	26059	2		BOCCOLA FISS.SELLA & LAT.03/->	COLLAR, SEAT/SIDE PANEL 03/->
7	49484	2		VITE TCEI 6X20	BOLT TCEI 6X20
8	67289	1		PARAFANGO ANT JUN'13 SMX BLU TMSenza fori	MADGUARD, FRONT SMX-J BLU
9	26132	4		BOCCOLA PARAF. ANT. M12	BUSH, FRONT MUDGUARD M.12->
10	67487	1		PORTANUMERO ANT 85J 2025 QUANTUM CON PASSACAVO	FRONT N.PLATE JUNIOR MY25 - QUANTUM GREY
11	49356	4		VITE TE F/R 6X20 Ch.8	BOLT 6X20 T.8
12	49117	4		RONDELLA 18X6.5X2 X RADIAT.08	WASHER 18X6.5X2 RADIATOR 08
13	67488	1		SELLA JUNIOR MODELLO 2025 QUANTUMTERMOSALDATA	
14	67489	1		COPERTINA SELLA JUNIOR QUANTUM MY25	
15	67309.00	1		SPUGNA SELLA JUNIOR 13->	FOAM, SEAT JUNIOR M.13->
16	73047	2		PIASTRINO AL ATT.SELLA POSTER.	PLATE AI REAR SEAT HOLDER
17	49435	4		VITE TE 5X12	SCREW TE 5X12
18	49571	5		VITE TBCE 6 x 7 PROT. FORCELLA	BOLT TBCE 6x7
19	67486	1		KIT PROTEZ.FORC.JUN'25 CPL QUANTUM CON PASSACAVO	FORK PROTECTOR KIT JUNIOR MY25 - QUANTUM GREY
20	49474	1		VITE TCEI 5X16 UNI 5931	BOLT TCEI 5X16



2T85SMXJ26-T
2T 85 SMX JUNIOR - 2S 85 SMX JUNIOR

FILTRO ARIA
AIR FILTER



TM0115



2T85SMXJ26-T
2T 85 SMX JUNIOR - 2S 85 SMX JUNIOR

FILTRO ARIA
AIR FILTER

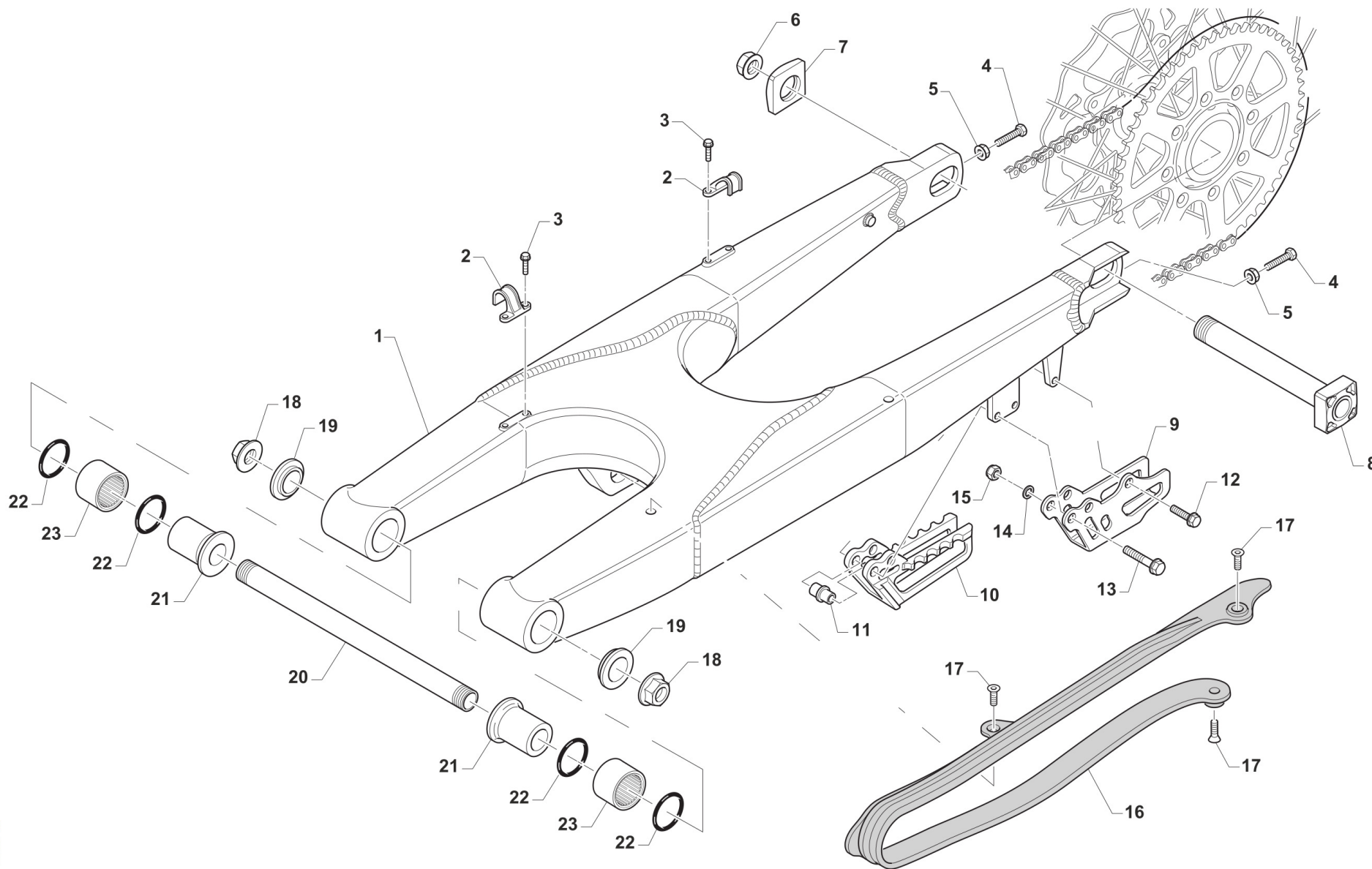
9

Pos.	Codice	Q.tà	Note	Descrizione	Description
1	49324	1		GALLETTO C/PERNO FILTRO 6x70	SCREW WITH PIN AIR FILTER 6X70
2	26084	1		RONDELLA PARAF ANT. 24x2 M.08	WASHER, FRONT FENDER 24 X 2
3	66060	1		FILTRO ARIA 2T/4T/85 M.13/14ES	AIR FILTER M. 2013 ES
4	66062	1		GABBIA FILTRO M.2013 ES/J'13	CAGE, AIR FILTER 66060 ES/J'13
5	67305	1		CASSA FILTRO JUNIOR 2013 CPL	AIR BOX 85 JUNIOR M.13-> ASSY
6	67104	1		PROTEZIONE MONO MOD. 92/->	GUARD, SHOCK ABSOVER M. 92/->
7	49320	2		VITE TB LARGA 6X15(16)LATERALI	BOLT TB LARGE 6X15(16)
8	67312	1		CUFFIA CASSA FILTRO JUN.2013	AIR BOOT JUNIOR MY13
9	49602	5		RONDELLA 5 x 15 x 1,2	WASHER 5x15
10	49629	5		DADO M 5 ALTO AUTOBLOCCANTE	NUT 5mm, HIGHT SELF-LOCKING
11	49402	5		VITE TSEI 5X20	BOLT TSEI 5X20
12	66017	1		PIASTRA MANIC. C.FILTRO 2013	PLATE, AIR FILTER MANIFOLD 13



2T85SMXJ26-T
2T 85 SMX JUNIOR - 2S 85 SMX JUNIOR

FORCELLONE
SWINGARM



TM0116



2T85SMXJ26-T
2T 85 SMX JUNIOR - 2S 85 SMX JUNIOR

FORCELLONE
SWINGARM

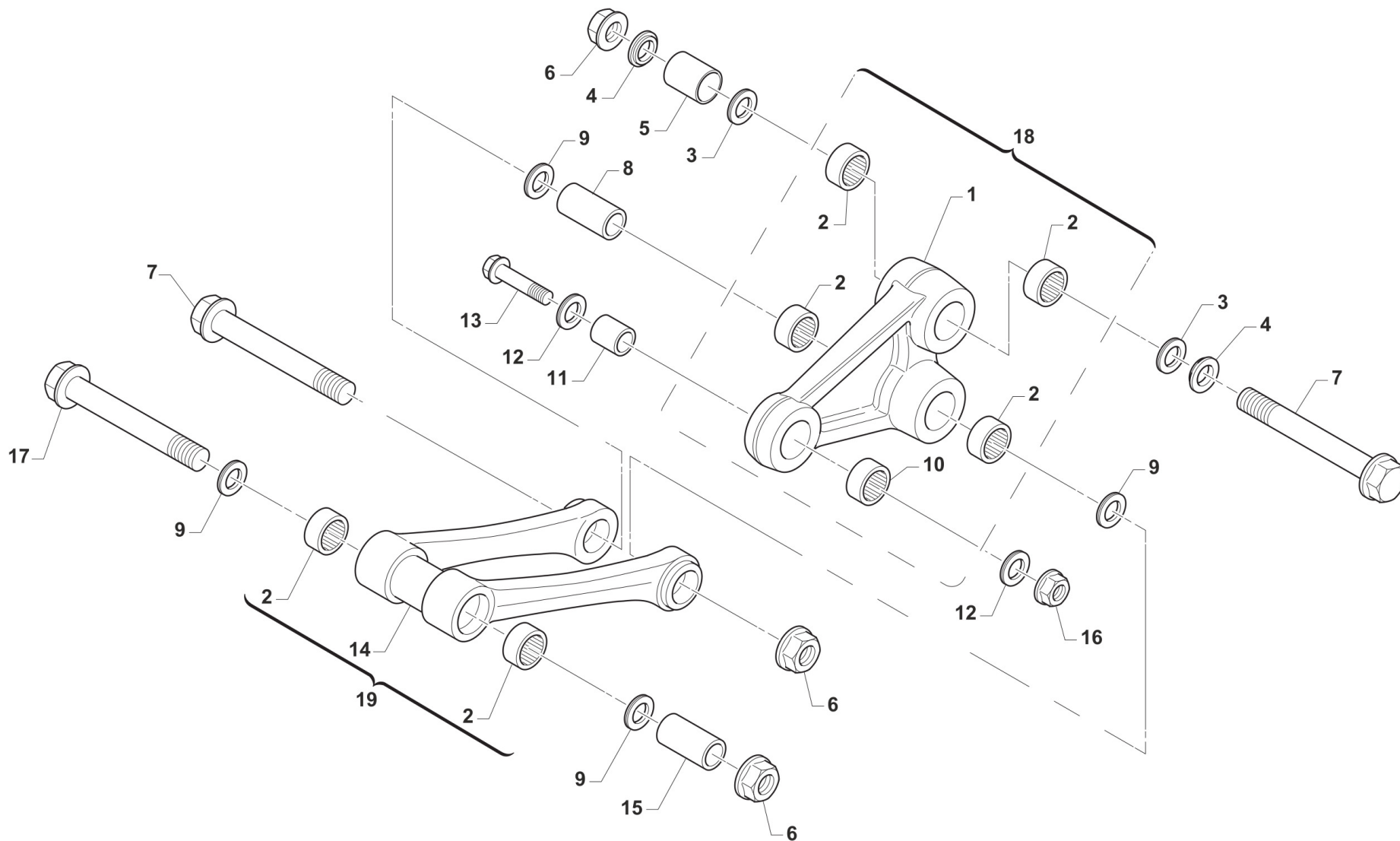
10

Pos.	Codice	Q.tà	Note	Descrizione	Description
1	73001.13	1		FORCELLONE 85 JUNIOR M. 13/->	SWINGARM JUNIOR MY13
2	67054	2		FERMA TUBO FRENO POST. M.97/->	RETAIN CLAMP BRAKE HOSE 97/->
3	49794	4		VITE AUTOFOR. 4.8X16 7504	BOLT, 4,8 X 16 7504
4	F49976	2		VITE TE 8X45 ES.10 FORCELLONE	SCREW TE 8X45 SWINGARM
5	49640	2		DADO M 8 FLANGIATO CHIAVE 12	NUT 8mm, FLANGE
6	49115	1		DADO PERNO R.PST J 06 CH20X1.5	NUT, RR WHEEL JUNIOR 20X1.5
7	70225	1		TENDICATENA JUNIOR'13 MOBILE	ADJ BLOCK, CHAIN JUNIOR 2013
8	74045.13	1		PERNO RUOTA POST. JUNIOR 2013	AXLE, RR WHEEL JUNIOR 2013
9	73130	1		PASSACATENA ALLUM. MOD. 11/->	PLATE, CHAIN GUIDE M. 11/->
10	67102.10	1		PASSACATENA NYLON MOD.2011	GUIDE, CHAIN M. 11/->
11	26092	1		BOCCOLA PASSACATENA M.11->	BUSH, CHAINGUIDE M11->
12	49370	1		VITE TE F/R 6X12	BOLT 6X12
13	49362	2		VITE TE F/R 6X50 Ch.8	BOLT 6X50 T.8
14	49603	2		RONDELLA M 6,4 X 12 X 1,6	WASHER 6x12
15	49638	2		DADO M 6 ALTO AUTOBLOCCANTE	NUT 6mm, HIGHT SELF-LOCKING
16	67099.15	1		PROTEZIONE FORCELLONE M.2015	SWINGARM PROTECTION M.2015
17	49396	3		VITE TSEI 5X10	BOLT TSEI 5X10
18	49095	2		DADO 16 FORCELLONE MOTO 95/10	NUT, SWINGARM AXLE M. 95/05
19	73115	2		COPERCHIO BOCCOLA FORC. M08->	COLLAR, SWINGARM M.08
20	74013	1		PERNO FORCELLONE M.95/07 85J13	AXLE, SWINGARM 16 M. 95/06
21	73138	2		BOCCOLA FORC.'13 F16 30X44.5	BUSH JUNIOR FORK H.16 30X44,5
22	12102	4		O RING LEVERAGGIO & FORCELLONE	O-RING, LINKAGE & SWINGARM
23	19043	2		ASTUCCIO A RULLI HK 2030	NEEDLE CAGE HK 20/30



2T85SMXJ26-T
2T 85 SMX JUNIOR - 2S 85 SMX JUNIOR

LEVERAGGI
LINKAGE



TM0117



2T85SMXJ26-T
2T 85 SMX JUNIOR - 2S 85 SMX JUNIOR

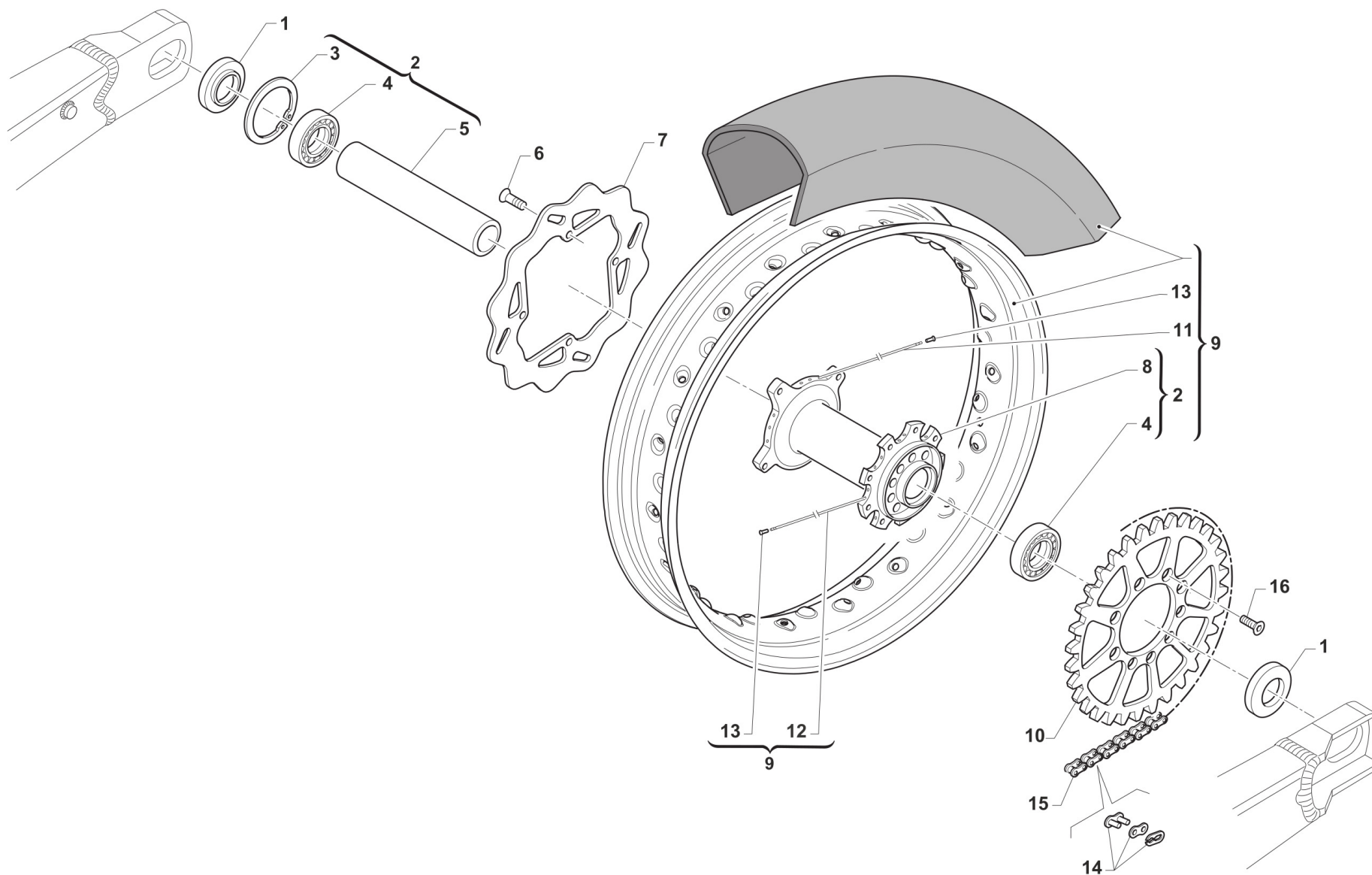
LEVERAGGI
LINKAGE

Pos.	Codice	Q.tà	Note	Descrizione	Description
1	73134	1		TRIANGOLO SOSP. 85J 13/-> NUDO	ARM, LINKAGE
2	19106	6		GABBIA RULLINI DL 2016 KYU	BUSH NEEDLE CAGE 26 X 20 H16
3	12010	2		O RING ORM 0240-30 TRIANG.05/6	O-RING, LINKAGE 05/6 ORM 0240-30
4	73075	2		COPERCHIO BOCCOLA TRIANG '05	COVER, BUSH
5	73211	1		BOCCOLA TRIANGOLO LEVER.05/->	BUSH, ARM RELAY 12X20X38
6	49682	3		DADO M12X1,25 FLANG.AUTOBL.AC	NUT, M 12 x 1,25 FLANGE SL
7	49345	1		VITE TE F/R 12X90 1.25 Ch13	BOLT TE F/R 12X90 1.25 T.13
8	F73416	1		BOCCOLA TRIANG. 20x48F12 05/->	COLLAR, ROD M.04 12x20x48
9	12102	4		O RING LEVERAGGIO & FORCELLONE	O-RING, LINKAGE & SWINGARM
10	19101	1		GABBIA RULLINI DL 1812 KYU	BUSH NEEDLE CAGE DL 18/12
11	73214	1		BOCCOLA 18 X 20 F.10 TRIANGOLO 07/->	COLLAR, ARM ASSY 10 18X20 M.07
12	F12312	2		O RING FILTRO OLIO P.ASPIRAZ.+LEV.	O-RING, OIL FILTER
13	49791	1		VITE TE F/R 10X39 1.25 T.AL08	BOLT, M10X1.25X39 ALU.FRAME08
14	73135	1		TRAPEZIO SOSP. 85J 13/-> NUDO	ROD, LINKAGE
15	73204	1		BOCCOLA TRAPEZIO 20 x 74 F.12	BUSHING 20x74x12, ROD SUSP. 05
16	F49874	1		DADO M 10 X 1,25 CH 12 FLANGIATO	NUT FLANGED M 10x1,25 T.12mm
17	49884	1		VITE TE F/R 12X110 LEV.85J13->	BOLT TE F/R 12X110 LINKAGE 85J
18	73142	1		TRIANGOLO SOSP. 85J 13/-> CPL	ARM ASSY JUNIOR
19	73143	1		TRAPEZIO SOSP. 85J 13/-> CPL	ROD ASSY JUNIOR



2T85SMXJ26-T
2T 85 SMX JUNIOR - 2S 85 SMX JUNIOR

RUOTA POSTERIORE SMX
REAR WHEEL SMX



TM0119



2T85SMXJ26-T
2T 85 SMX JUNIOR - 2S 85 SMX JUNIOR

RUOTA POSTERIORE SMX
REAR WHEEL SMX

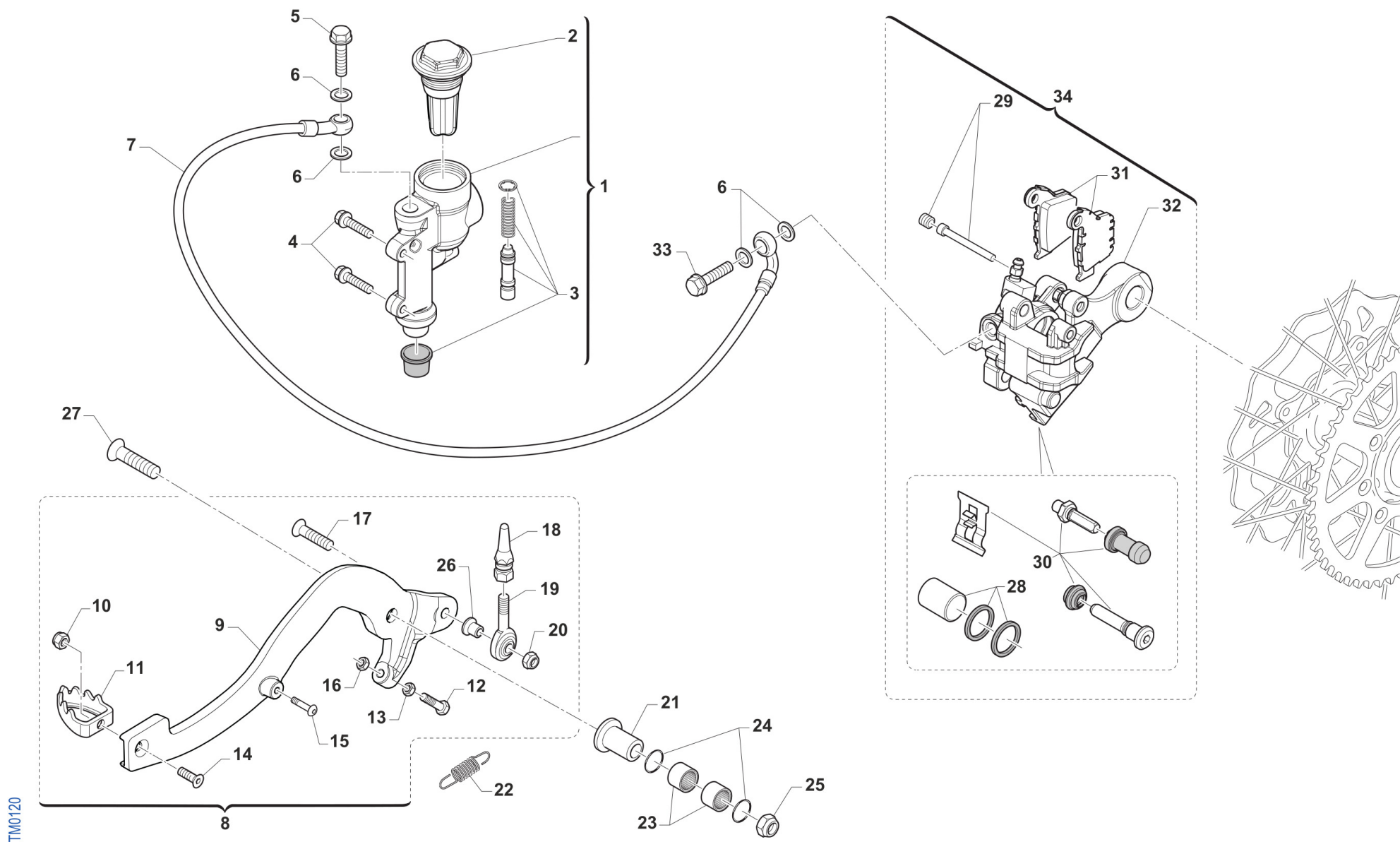
12

Pos.	Codice	Q.tà	Note	Descrizione	Description
1	26104	2		BOCCOLA CUSC.POS.80J 35X17 D/S	BUSH, RR WHEEL BEAR. 85J 35X17
2	70228	1		MOZZO POST 80/85J 13/-> CPL	HUB REAR WHEEL 85J 13-> ASSY
3	49249	1		SEEGER I 40 RUOTA POST.JUNIOR	SEEGER I 40
4	03067	2		CUSCINETTO RUOTA POST. 80/85 Jun.	BUSH, REAR WHEEL 80/85cc Jun.
5	70232	1		DIST.INT.R.POST. JUN'2013	INNER SPACER REAR WHEEL J.13->
6	49440	4		VITE TE 6X14	BOLT TE 6X14
7	69308	1		DISCO FRENO 190X3.5 PST 85J 18MM	BRAKE DISK, REAR 85J 190x3.5 18mm
8	70228.1	1		MOZZO POST 80/85J 13/-> NUDO	HUB, REAR WHEEL JUNIOR
9	70238.1	1		RUOTA PST.CPL.JUNIOR 12 13 C/G SMX, COMPLETA DI GOMMA MONTATA	WHEEL, REAR, SMX-J ASSY WITH TYRE 12
10	70104.42	1		CORONA CAT. 85 JUNIOR - Z 42	SPROCKET 42T, REAR, JUNIOR
10	70104.43	1		CORONA CAT. 85 JUNIOR - Z 43	SPROCKET 43T, REAR, JUNIOR
10	70104.44	1		CORONA CAT. 85 JUNIOR - Z 44	SPROCKET 44T REAR JUNIOR
10	70104.45	1		CORONA CAT. 85 JUNIOR - Z 45	SPROCKET 45T REAR JUNIOR
10	70104.46	1		CORONA CAT. 85 JUNIOR - Z 46	SPROCKET 46T, REAR, JUNIOR
10	70104.47	1		CORONA CAT. 85 JUNIOR - Z 47	SPROCKET 47T, REAR, JUNIOR
11	70311	14		RAGGIO R.POST L.FRENO 85 SMX 137 X 3.0	SPOKE, REAR SMX-J, BRAKE SIDE
12	70312	14		RAGGIO R.POST L.CORONA 85 SMX 142 X 3.0	SPOKE, REAR SMX-J, SPROCKET SIDE
13	70313	28		NIPPLO ACCIAIO 3 (85 SMX)	NIPPLE 3MM
14	70097	1		GIUNTO CATENA 126 HK 85j	CHAIN, JOINT 126 RH
15	70092.1	1		CATENA REGINA 126 MG 85J	CHAIN 126 RX3 X 126 85J
16	49421	7		VITE TSEI 8X25	BOLT TSEI 8X25



2T85SMXJ26-T
2T 85 SMX JUNIOR - 2S 85 SMX JUNIOR

FRENO POSTERIORE
REAR BRAKE





2T85SMXJ26-T
2T 85 SMX JUNIOR - 2S 85 SMX JUNIOR

FRENO POSTERIORE
REAR BRAKE

13

Pos.	Codice	Q.tà	Note	Descrizione	Description
1	69243	1		POMPA FRENO POST 85J 13/-> BRE	MASTER CYLINDER, REAR 85J 13->
2	69264	1		TAPPO POMPA FRE.POST.JUNIOR	CAP + RUBBER, REAR BRAKE PUMP JUNIOR
3	69263	1		FLOTTANTE POMPA FRENO POST.JUNIOR	REPAIRASSY, RR BRAKE PUMP JUNIOR MY13->
4	49355	2		VITE TE F/R 6X16 Ch.8	BOLT 6X16 T.8
5	69093	1		BULLONE 10X1 TUBO FRENO BREMBO 03	HOLLOW SCREW M10X1 BREMBO BR.
6	69034	4		RONDELLA X BULLONE FREN B22001	WASHER B22001, BRAKE HOSE
7	69068.13	1		TUBO FRENO POST. JUNIOR M13-> BRAK	HOSE, REAR BRAKE 85J M.13->
8	69235	1		PEDALE FRENO POST.JUN'13 CPL	BRAKE PEDAL, REAR JUN.13->ASSY
9	69235.1	1		PEDALE FRENO POST.JUN'12 NUDO	BRAKE PEDAL RR JUNIOR M.12->
10	49633	1		DADO M 5 BASSO AUTOBLOCCANTE	NUT 5mm, LOW SELF-LOCKING
11	69002.99	1		PARTE ANT.PED.FRENO POST.99/->	PIT, RR BRAKE PEDAL 99/->
12	49444	1		VITE TE 6X25	BOLT TE 6 X 25
13	49635	1		DADO M 6 BASSO 5589	NUT M 6
14	49400	1		VITE TSEI 5X14	BOLT TSEI 5x14
15	49557	1		VITE TBCE 4X16	BOLT TBCE 4x16
16	49367	2		VITE TE F/R 8X45 Ch.10	BOLT 8X45 T.10mm
17	49414	1		VITE TSPEI 6X30 NORMALE UNI 5933	BOLT TSEI 6X30
18	69244	1		PERNO UNIBALL PEDALE FR.JUN'13	PIN UNIBALL BRAKE PEDAL JUN.13
19	69133	1		SNODO SFERICO PED.FRENO 85JM13	JOINT BRAKE PEDAL 85cc M13->
20	49367	1		VITE TE F/R 8X45 Ch.10	BOLT 8X45 T.10mm
21	69205	1		BOCCOLA FRENO POST T.AL 08/->	BUSH, REAR BRAKE 08/->
22	F16434	1		MOLLA PEDALE FRENO M.08 T.AL.	SPRING, RR BRAKE PEDAL 08/->
23	19044	2		GABBIA A RULLI FRENO POST.	NEEDLE BUSH REAR BRAKE PEDAL
24	12051	2		O RING FRENO POST. PEDALE	O-RING REAR BRAKE PEDAL BUSH
25	49680	1		DADO M 8 X 1,25 CH 12 FLANG. AUTOBLOCK	NUT, M 8X1,25 FLANG. SB
26	69245	1		DIST. UNIBALL PEDALE FR.JUN'13	SPACER, UNIBALL
27	49427	1		VITE TSEI 8X55	BOLT TSEI 8X55



2T85SMXJ26-T
2T 85 SMX JUNIOR - 2S 85 SMX JUNIOR

FRENO POSTERIORE
REAR BRAKE

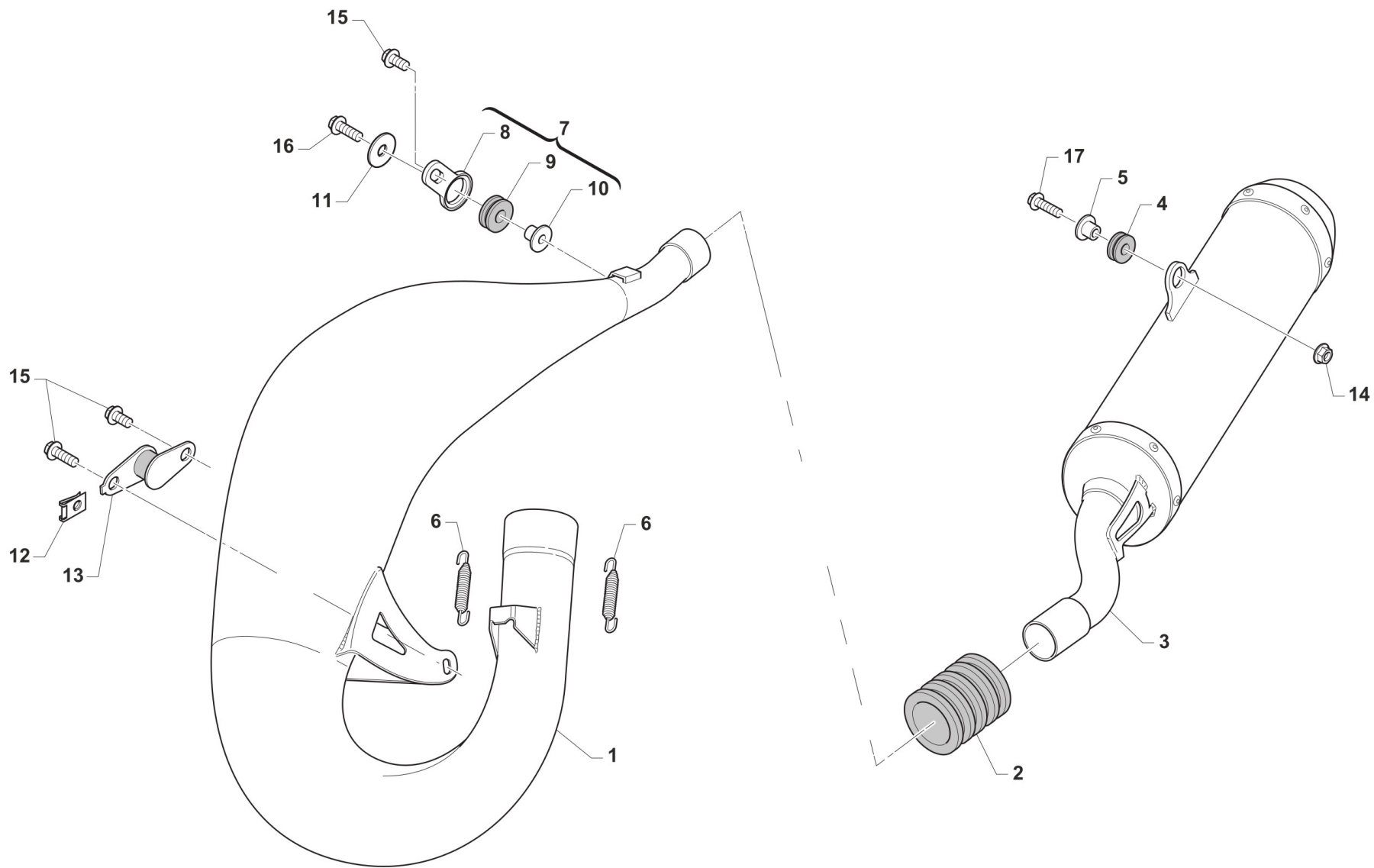
13

Pos.	Codice	Q.tà	Note	Descrizione	Description
28	69253	1		KIT PISTONE+ OR PINZA FRENO POST d.25 BRAKING JUNIOR	PISTON+O-RING REAR CALIPER BRAKING JUNIOR
29	69280	1		PERNO + GRANO PAST. ANT/POST BRAKING JUNIOR	PIN+GRUB ANT/POST BRAKING JUNIOR
30	69254	1		KIT VITI + CUFFIE + LAMIERINO PINZA ANT/POST BRAKING JUNIOR	BOLT+RETAINER BRAKE PAD ANT/POST JUNIOR
31	69247	1		PASTIGLIE ANT. / POST. JUNIOR M.13->	PAD KIT, F.&R. CALIPER J 13
32	69241	1		SUPPORTO PINZA PST.BRAKING J13	HOLDER, REAR BRAKE CALIPER J13
33	69094	1		BULLONE 10X1.25 T.FRENO NISSIN 03	BOLT,10X1,25 BRAKE HOSE NISSIN
34	69242	1		PINZA FRENO POST. JUNIOR M.13->	REAR BRAKE CALIPER D.25mm



2T85SMXJ26-T
2T 85 SMX JUNIOR - 2S 85 SMX JUNIOR

SCARICO
EXHAUST SYSTEM



TM0121



2T85SMXJ26-T
2T 85 SMX JUNIOR - 2S 85 SMX JUNIOR

SCARICO
EXHAUST SYSTEM

14

Pos.	Codice	Q.tà	Note	Descrizione	Description
1	27184	1		MARMITTA 85 JUNIOR MY 2019 SCALVINI	EXHAUST, SCALVINI JUNIOR MY19
2	21019	1		MANICOTTO SILENZIATORE SILICONE 97 ->	RUBBER, SILENCER/PIPE 97/->
2	21078	1		MANICOTTO MARMIT/SILENZ. SILICONE 85cc BLU	
3	27160	1		SILENZIATORE 85 JUNIOR M14 SC	SILENCER 85cc JUNIOR 14-> SCAL
4	21008	1		GOMMINO ANTIVIBR.RAD.K.SILENZ.	RUBBER, GROMMET RADIATOR/SILEN
5	26117	1		BOCCOLA SILENZIATORE 09->	BUSH, SILENCER M.09->11
6	16051	2		MOLLA TR.SCARICO BIC. KF3/85j	SPRING, EXHAUST KF3/85j
7	21094	1		SILENT BLOCK 05 PIAST+GOMM+BOC	SILENT BLOCK 05 ASSY PL+RU+BU
8	21093	1		PIASTRINO SILENT BLOCK 05 NUDO	PLATE, SILENT BLOCK 05
9	21102	1		GOMMINO ANTIV.RADIAT.SILENZ. MY 94->	RUBBER, GROMMET RADIATOR and SILENC.
10	26074	1		BOCCOLINA X SILENT-BLOCK 21094	BUSH FOR SILENT-BLOCK COD21094
11	26084	1		RONDELLA PARAF ANT. 24x2 M.08	WASHER, FRONT FENDER 24 X 2
12	49803	1		PRESTOLA SILENT BLOCK MARMITTA	RANGE CHANGE METAL NUT M6
13	21111	1		SILENT BLOCK MARMITTA M.94->	SILENT BLOCK EXHAUST PI.M.94->
14	49676	1		DADO M 6X1 FLANG. AUTOBL.ACC.	NUT, FLANGED M6 X 1 S.B.
15	49355	3		VITE TE F/R 6X16 Ch.8	BOLT 6X16 T.8
16	49356	1		VITE TE F/R 6X20 Ch.8	BOLT 6X20 T.8
17	49359	1		VITE TE F/R 6X35 Ch.8	BOLT 6X35 T.8

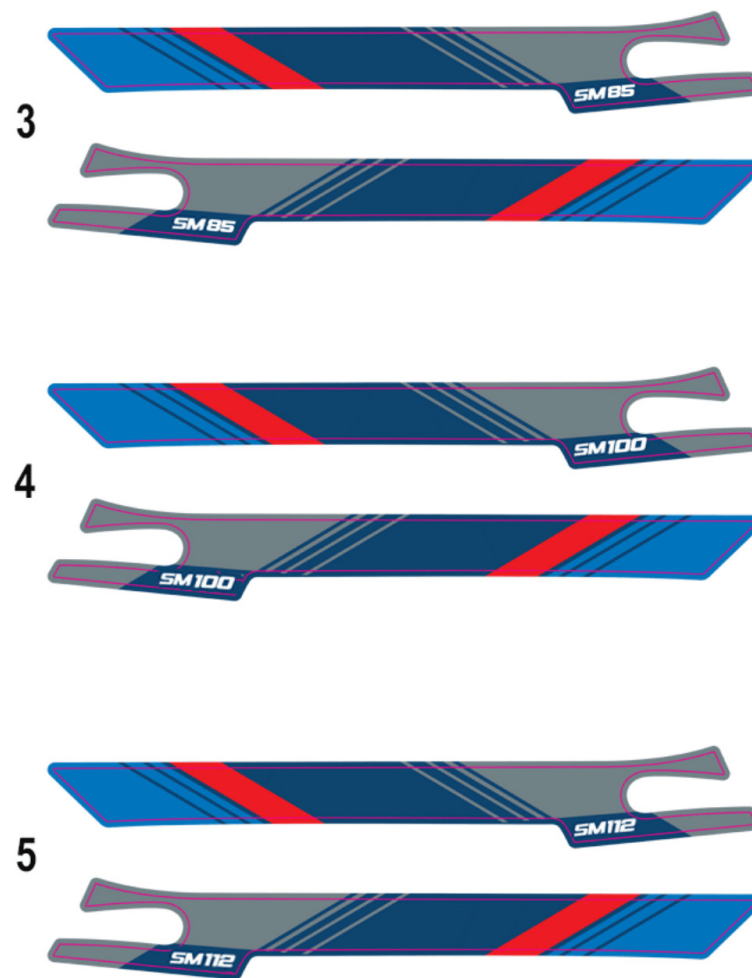


2T85SMXJ26-T
2T 85 SMX JUNIOR - 2S 85 SMX JUNIOR

KIT ADESIVI SMX-J
DECALS KIT SMX-J



1



3

4

5

KA26-SMXJ



2T85SMXJ26-T
2T 85 SMX JUNIOR - 2S 85 SMX JUNIOR

KIT ADESIVI SMX-J
DECALS KIT SMX-J

15

Pos.	Codice	Q.tà	Note	Descrizione	Description
1	94088.26	1		KIT ADESIVI JUNIOR M.2026 S/P.POST	
2	94020.26	1		ADESIVO PARAF. ANT JUNIOR MY 2026	
3	94345.85	1		KIT AD. CIL. SM 85 JUNIOR MY26	
4	94345.100	1		KIT AD. CIL. SM 100 JUNIOR MY26	
5	94345.112	1		KIT AD. CIL. SM 112 JUNIOR MY26	