



2T85MXJ26

2T 85 MX JUNIOR

2S 85 MX JUNIOR

10/11/2025

TM MOTO SRL UNIPERSONALE - VIA FANO, 6 - 61122 PESARO – ITALY

WWW.TM-MOTO.IT



2T85MXJ26
2T 85 MX JUNIOR - 2S 85 MX JUNIOR

SOMMARIO
TABLE OF CONTENTS

MANUBRIO - HANDLEBAR.....	4
FRENO ANTERIORE - FRONT BRAKE.....	6
FORCELLA FORMULA 39 - FORK, FORMULA 39.....	8
RUOTA ANTERIORE - FRONT WHEEL.....	11
IMPIANTO RAFFREDDAMENTO - RADIATOR.....	13
SERBATOIO - FUEL TANK.....	15
TELAIO - FRAME.....	17
PLASTICHE E SELLA - PLASTIC AND SEAT.....	20
FILTRO ARIA - AIR FILTER.....	22
FORCELLONE - SWINGARM.....	24
LEVERAGGI - LINKAGE.....	26
RUOTA POSTERIORE - REAR WHEEL.....	28
FRENO POSTERIORE - REAR BRAKE.....	31
SCARICO - EXHAUST SYSTEM.....	34
KIT ADESIVI MX-J - DECALS KIT MX-J.....	36
CILINDRO - CYLINDER.....	38
ALBERO MOTORE 20 - PISTONE - CRANKSHAFT 20 - PISTON.....	40
ACCENSIONE - IGNITION.....	42
CENTRIFUGA E CARTER FRIZIONE - WATER PUMP - CLUTCH COVERS.....	44
FRIZIONE - CLUTCH.....	47
BASAMENTO E PACCO - CASE AND REEDS BOX.....	50
MESSA IN MOTO - KICK STARTER.....	52



2T85MXJ26
2T 85 MX JUNIOR - 2S 85 MX JUNIOR

SOMMARIO
TABLE OF CONTENTS

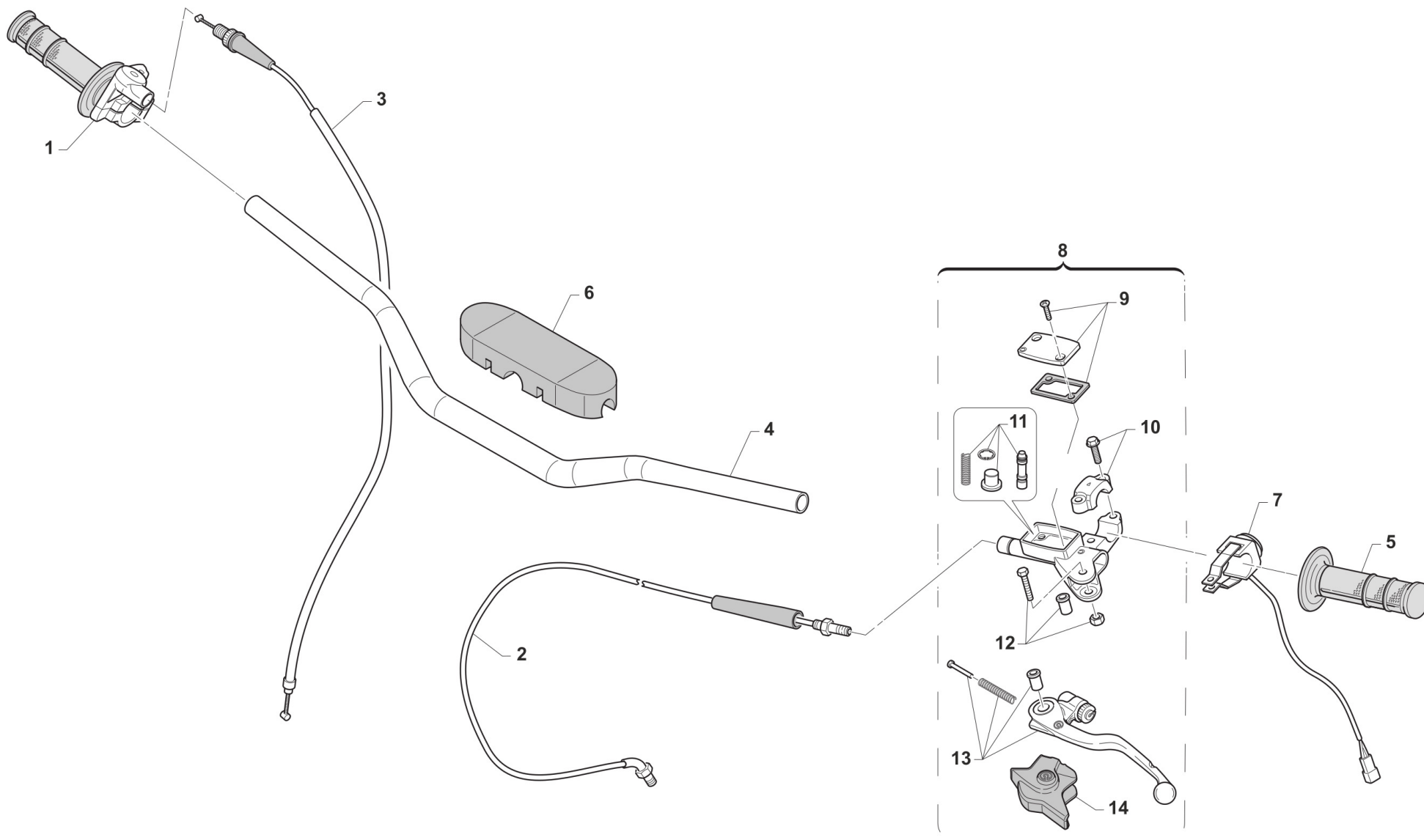
COMANDO CAMBIO - GEARSHIFT MECHANISM.....	54
CAMBIO - GEAR BOX.....	57
VITI COPERCHI.....	60
VITI BASAMENTO.....	62
MONO EXTREME 85/100 JUNIOR - SHOCK ABSORVER.....	64
CARBURATORE KEIHIN PWK 28 - CARBURETTOR KEIHIN PWK 28.....	67



2T85MXJ26
2T 85 MX JUNIOR - 2S 85 MX JUNIOR

MANUBRIO
HANDLEBAR

1



TM0106



2T85MXJ26
2T 85 MX JUNIOR - 2S 85 MX JUNIOR

MANUBRIO
HANDLEBAR

1

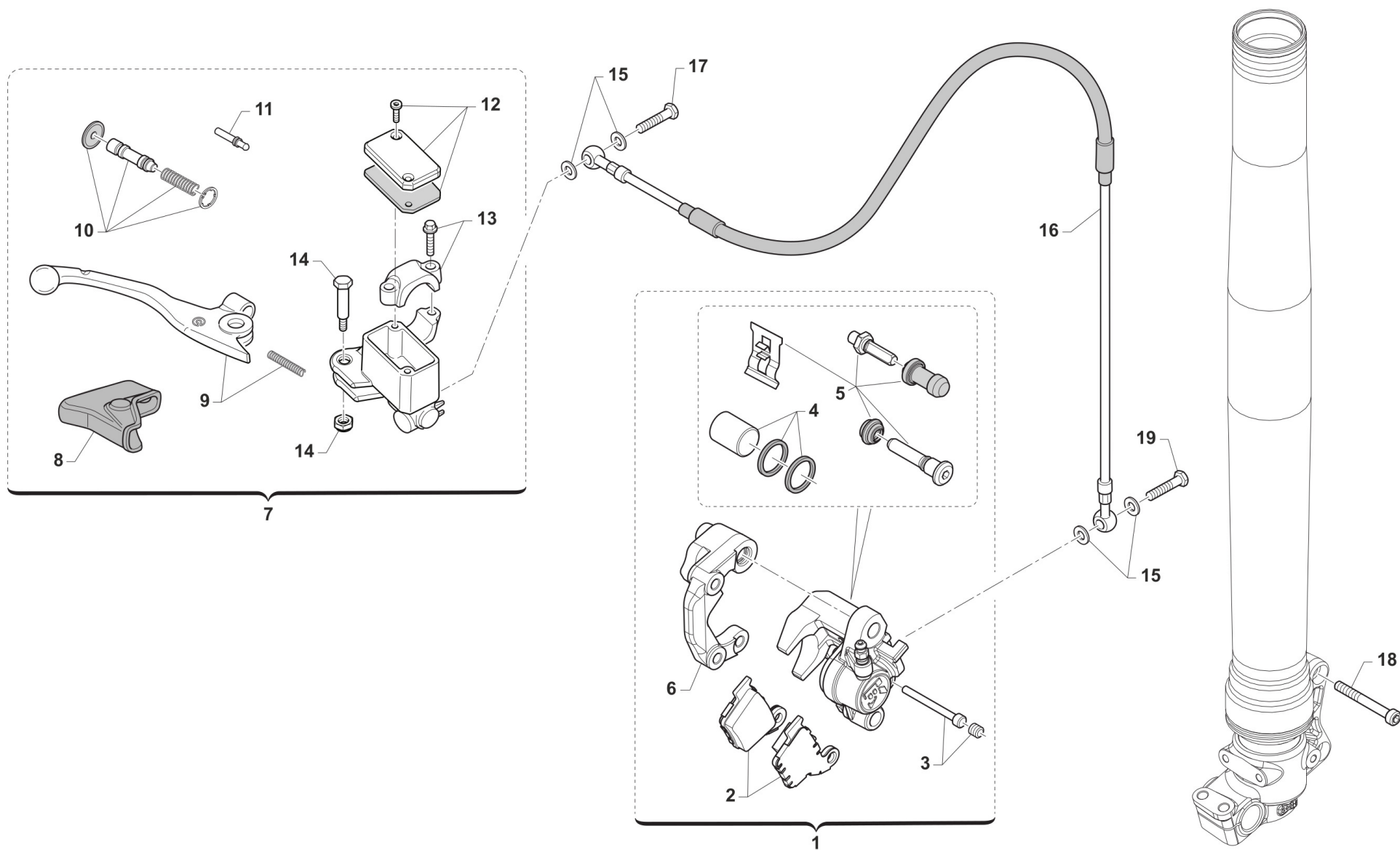
Pos.	Codice	Q.tà	Note	Descrizione	Description
1	64017	1		COMANDO GAS DOMINO MOD. 99->	THROTTLE CONTROL DOMINO 2S 99/->
2	35270.13	1		TUBO FRIZ. IDR. 85J M.13/-> WH	HYDR.CLUTCH HOSE 85J M.13->
3	64040	1		CAVO GAS JUNIOR M.13->	THROTTLE CABLE JUNIOR 13
4	64086	1		MANUBRIO TECLIN 85J + MB M.13/->	
5	64087	1		MANOPOLE COPPIA CIRCUIT IV (AZZURRO)	
6	64078.1	1		PARACOLPI MANUBRIO TM 2013 NR	PROTECTION FOR HANDLEBAR TM BLACK
7	68068	1		PULSANTE DI MASSA 85cc J13	SWITCH, ENGINE STOP 85cc 13/->
8	69360	1		POMPA FRIZIONE PS 9/17.7 BREMBO	PUMP, CLUTCH PS 9/17.7 BREMBO
9	64266	1		COPERCH./MEMBRAN.P.FRIZ.BREMBO 69360	
10	69362	1		CAVALLOTTO POMPA FRENO ANT PS10/16	HOLDER
11	64265	1		FLOTTANTE POMPA FRIZ. BREMBO 69360 9/17	
12	64245	1		PERNO LEVA POMPA FRIZ. BREMBO	PIN
13	64241	1		LEVA FRIZIONE BREMBO RICAMBIO	LEVER, CLUTCH BREMBO
14	64238	1		PARAPOLVERE POMPA FRIZIONE BR.	DUST SEAL,CLUTCH MASTER CYL.BR



2T85MXJ26
2T 85 MX JUNIOR - 2S 85 MX JUNIOR

FRENO ANTERIORE
FRONT BRAKE

2



TM0107



2T85MXJ26
2T 85 MX JUNIOR - 2S 85 MX JUNIOR

FRENO ANTERIORE
FRONT BRAKE

2

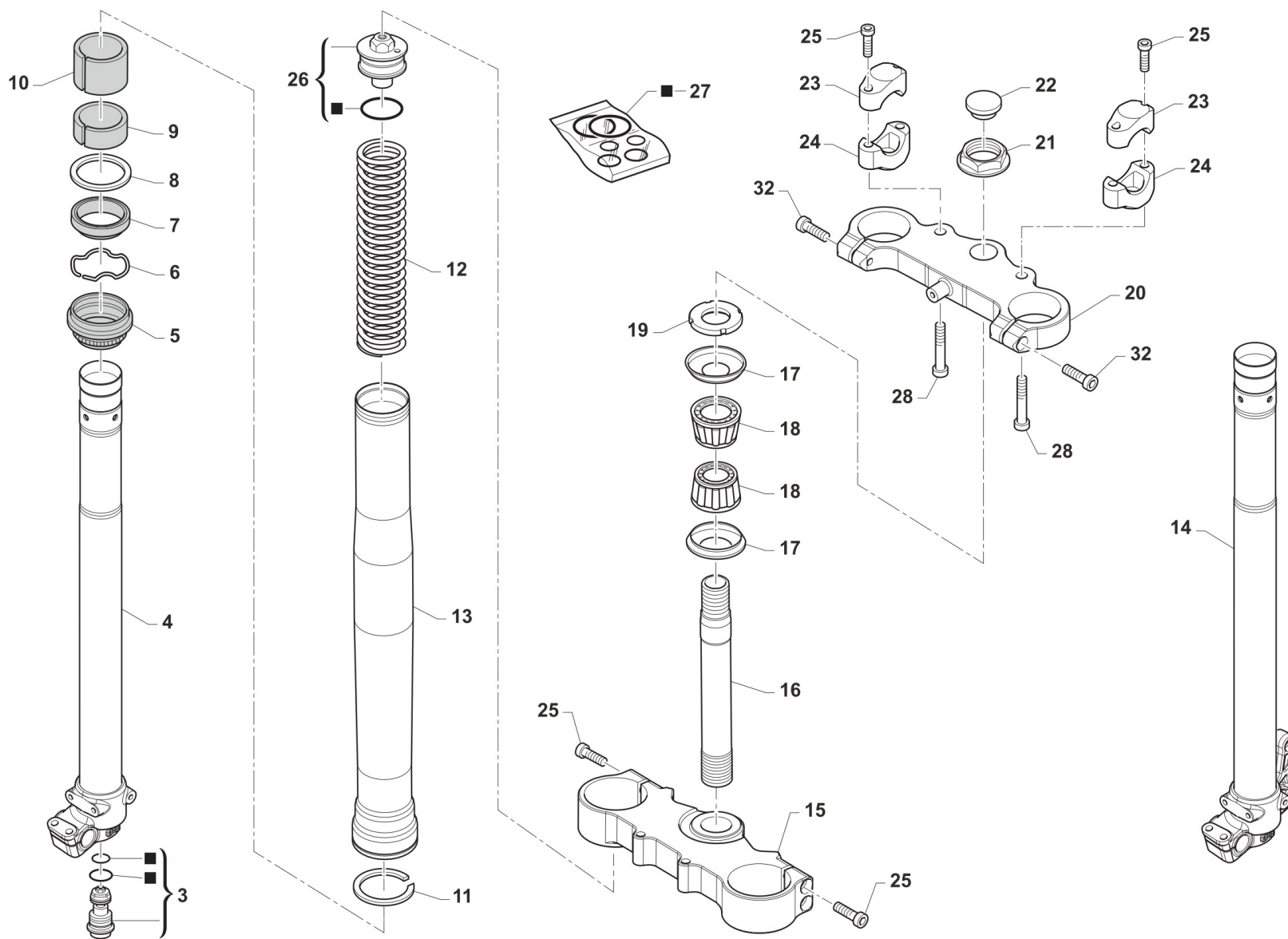
Pos.	Codice	Q.tà	Note	Descrizione	Description
1	69236	1		PINZA FRENO ANTERIORE J M13->	BRAKE CALIPER, FRONT JUNIOR
2	69247	1		PASTIGLIE ANT. / POST. JUNIOR M.13->	PAD KIT, F.&R. CALIPER J 13
3	69280	1		PERNO + GRANO PAST. ANT/POST BRAKING JUNIOR	PIN+GRUB ANT/POST BRAKING JUNIOR
4	ND	1		NON DISPONIBILE	TEMPORARILY NOT AVAILABLE
5	69254	1		KIT VITI + CUFFIE + LAMIERINO PINZA ANT/POST BRAKING JUNIOR	BOLT+RETAINER BRAKE PAD ANT/POST JUNIOR
6	69343	1		SUPPORTO PINZA ANT BRAKING J13	HOLDER, FRONT BRAKE CALIPER
7	69248	1		POMPA FRENO ANT PS10/16 BREMBO	FRONT MASTER CYLINDER PS 10/16 BREMBO
8	69363	1		CAPPUCCIO POMPA FRENO ANT PS10/16	RUBBER FRONT MASTER CYLINDER BREMBO
9	69357	1		LEVA FRENO ANT BR. X 69248	BRAKE FRONT LEVER BREMBO X 69248
10	69358	1		KIT FLOTTANTE POMPA FREN.69248	CYLINDER AND RUBBER KIT 69248
11	69364	1		PUNTALINO POMPA FRENO ANT PS10/16	PUSH ROD
12	69368	1		TAPPO POMPA FRENO BREMBO 69248	CAP
13	69362	1		CAVALLOTTO POMPA FRENO ANT PS10/16	HOLDER
14	69365	1		PERNO LEVA POMPA FRENO ANT PS10/16	PIN, LEVER
15	69034	4		RONDELLA X BULLONE FREN B22001	WASHER B22001, BRAKE HOSE
16	69246	1		TUBO FRENO ANT 85J + MB M. 13/->	HOSE, FRONT BRAKE 85J M. 13->
17	69093	1		BULLONE 10X1 TUBO FRENO BREMBO 03	HOLLOW SCREW M10X1 BREMBO BR.
18	49501	2		VITE TCEI 8X25 UNI 5931	BOLT TCEI 8X25
19	69094	1		BULLONE 10X1.25 T.FRENO NISSIN 03	BOLT,10X1,25 BRAKE HOSE NISSIN



2T85MXJ26
2T 85 MX JUNIOR - 2S 85 MX JUNIOR

FORCELLA FORMULA 39
FORK, FORMULA 39

FORMULA 39



0108.05



2T85MXJ26
2T 85 MX JUNIOR - 2S 85 MX JUNIOR

FORCELLA FORMULA 39
FORK, FORMULA 39

3

Pos.	Codice	Q.tà	Note	Descrizione	Description
3	72257	2		GRUPPO COMPRESSIONE FORC. FORMULA D.39	
4	72198	1		GRUPPO TUBO FORZA DX FORM.J85	
5	72151	2		PARAPOLVERE FORCELLA F39 JUNIOR 13	DUST SEAL JUNIOR FRONT FORK
6	72152	2		ANELLO FERMA PARAOLIO FORC.J13	RING OIL SEAL RETAINER FORK J.
7	72150	2		PARAOLIO FORCELLA F39 JUNIOR 2013	OIL SEAL JUNIOR FRONT FORK
8	72153	2		RONDELLA FERMA BOCC.PARAOL.J13	WASHER, BUSH F39 J
9	72154	2		BOCCOLA DU 39X43X15 FORC.JU.13	BUSH DU 39X43X15 FORKS 85J
10	72155	2		BOCCOLA DU 38X40X20 FORC.JU.13	BUSH DU 38X40X20 FORKS 85J
11	72255	2		ANELLO DI PROTEZIONE FORMULA D.39	
12	72156	2		MOLLA FORCELLA F39 J13 K=3.4	SPRING, FR FORK F39 J13 K=3.4
12	72157	2		MOLLA FORCELLA F39 J13 K=3.8	SPRING, FR FORK F39 J13 K=3.8
12	72158	2		MOLLA FORCELLA F39 J13 K=4.0	SPRING, FR FORK F39 J13 K=4.0
12	72161	2		MOLLA FORCELLA F39 J13 K=3.6	
13	72140	2		FODERO FORCELLA FORMULA USD D.39	
14	72197	1		GRUPPO TUBO FORZA SX FORM.J85	
15	72118	1		PIASTRA INF.FORC 85J 13/-> F39	FORK BRIDGE, BOTTOM 85J 13->
16	72097	1		CANOTTO STERZO 85J M. 13/->	STEERING STEM, JUNIOR MY13
17	72002.01	2		PROTEZ. CUSC/CANOTTO STERZO JUN.13 ->	DUST SEAL, STEERING STEM J13->
18	03072	2		CUSCINETTO CONICO STERZO J '13	BUSH, STEERING JUNIOR 11/->
19	72099	1		GHIERA CANNOTTO STERZO J. 2011	NUT, STEERING BEARING 85J 11->
20	72119	1		PIASTRA SUP.FORC 85J 13/-> F39	FORK TRPLE CLAMP 85J 13->
21	72098	1		DADO CANOTTO STERZO 85J 13/->	NUT, STEERING BEARING 85J 13->
22	21033	1		TAPPO PLAST.D25 -CANOT.STER.EN	PLASTIC CAP D.25mm STEER. AXE
23	72036.11	2		CAVALLOTTO SUP.M.11 SILVER	UPPER HANDLEBAR M.11 SILVER
24	72124	2		CAVALLOTTO INF. 85J M.13/->	LOWER HANDLEBAR 85J M.13->
25	49502	8		VITE TCEI 8X30	BOLT TCEI 8X30
26	72166	2		GRUPPO TAPPO SUP.FORC.FORM.J85	CAP, UPPER FORK FORMULA 85 J
27	72256	2		GRUPPO RICAMBI OR E RONDELLE FORM. D.39	



2T85MXJ26
2T 85 MX JUNIOR - 2S 85 MX JUNIOR

FORCELLA FORMULA 39
FORK, FORMULA 39

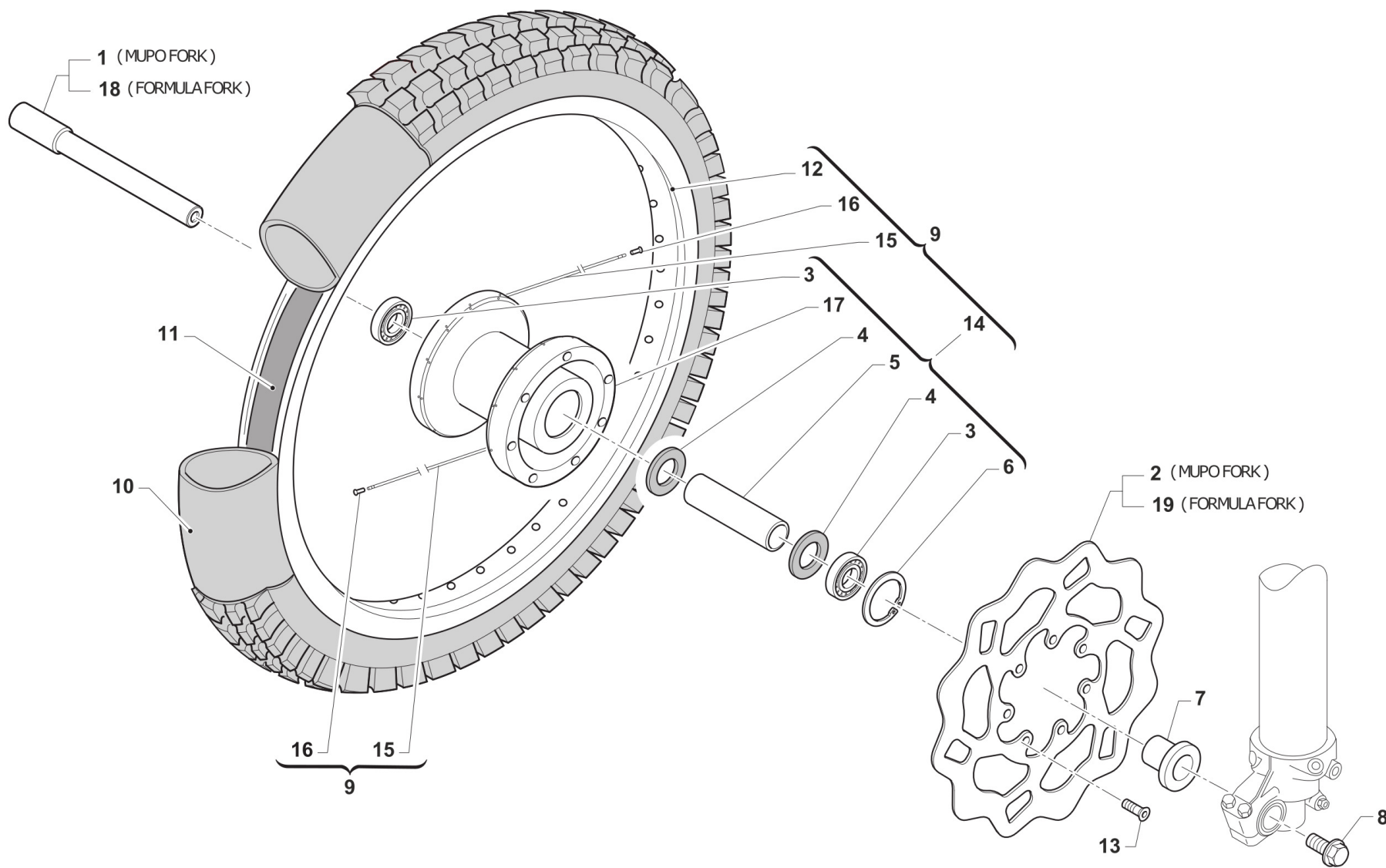
3

Pos.	Codice	Q.tà	Note	Descrizione	Description
28	49758	2		VITE TCEI 10X30	BOLT TCEI 10X30
32	49501	2		VITE TCEI 8X25 UNI 5931	BOLT TCEI 8X25



2T85MXJ26
2T 85 MX JUNIOR - 2S 85 MX JUNIOR

RUOTA ANTERIORE
FRONT WHEEL



0109.01



2T85MXJ26
2T 85 MX JUNIOR - 2S 85 MX JUNIOR

RUOTA ANTERIORE
FRONT WHEEL

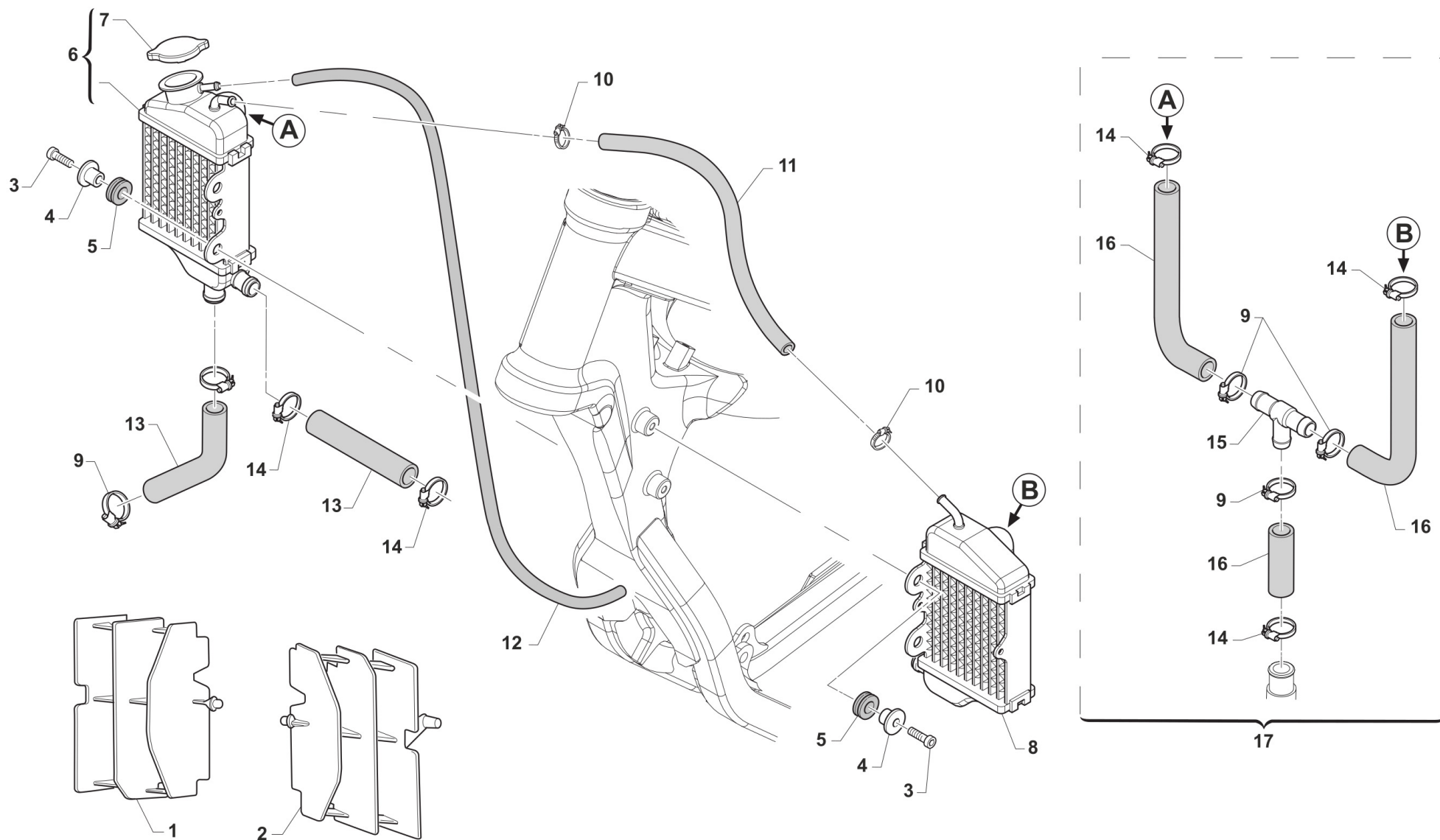
4

Pos.	Codice	Q.tà	Note	Descrizione	Description
1	74060	1	MUPO FORK	PERNO RUOTA ANT 85j MY13 20-17X200 FORC. MUPO	AXLE, FRONT WHEEL, JUNIOR, MUPO 38
2	69307	1	MUPO FORK	DISCO FRENO 240X3 ANT J '18 MM - FORC. MUPO	BRAKE DISK, FRONT, JUNIOR, MUPO 38
3	03062	2		CUSCINETTO RUOTA ANT 6003 85J	BUSH, FRONT WHEEL BRAKE SIDE
4	12062	2		O RING DISTANZIALE RUOTA JUNIOR M.13->	O-RING SPACER WHEEL JUNIOR MY 13->
5	70231	1		DIST.INTERNO RUOTA ANT. JUNIOR M.13->	INNER SPACER FRONT WHEEL J. M.13->
6	49261	1		SEEGER MOZZO FORC.45/50/BS I35	SEEGER, FRONT WHEEL HUB I35
7	26144	1		BOCCOLA CUSC.R.ANT.J13 15 F.17	BUSH, FRONT WHEEL BEA.J 15 H17
8	49084	1		DADO PERNO R.ANT 85 J M. 13/->	NUT, AXLE FRONT WHEEL 85J 13->
9	70234	1		CERCHIO ANT CPL 85J 17 13/->	RIM FRONT ASSY 85J 17 M.13->
9	70236	1		CERCHIO ANT CPL 85J 19 13/->	WHEEL, FRONT ASSY 85J 19 13->
10	80122	1		CAMERA ARIA 19 J	INNER TUBE FRONT WHEEL 19 J
10	80123	1		CAMERA ARIA 17 J	INNER TUBE REAR WHEEL 17 J
11	70034	1		FLAP RUOTA ANTERIORE 17 JUNIOR	FLAP FRONT WHEEL 17
11	70035	1		FLAP RUOTA ANTERIORE 19	FLAP FRONT WHEEL 19
12	70040	1		CERCHIO ANT 19x1.40 JUNIOR TK	FRONT RIM 19x1.40 JUN.Tagasago
12	70042	1		CERCHIO ANT 17x1.40 JUNIOR TK	FRONT RIM 17 JUNIOR Tagasago
13	49370	7		VITE TE F/R 6X12	BOLT 6X12
14	70221	1		MOZZO ANT 80/85J 13/-> CPL	FRONT HUB ASSY, JUNIOR
15	70067	28		RAGGIO RUOTA 17 189X3,5 80 J	SPOKE 85J - 17 189x3,5
15	70069	28		RAGGIO RUOTA 19 214X3,5 80 J	SPOKE, FRONT WHEEL 214x3,5 85j
16	70063	28		NIPPLO ACCIAIO 3,5	NIPPLE 3,5 mm
17	70320	1		MOZZO ANT 85J NUDO VMX MY2022	
18	74058	1	FORMULA FORK	PERNO RUOTA ANT 85j MY13 20-17X209 FORC. FORMULA	AXLE, FR WHEEL 85J M.13
19	69306	1	FORMULA FORK	DISCO FRENO 220X3 ANT J '17 MM	BRAKE DISK, FRONT 220x3 JUNIOR



2T85MXJ26
2T 85 MX JUNIOR - 2S 85 MX JUNIOR

IMPIANTO RAFFREDDAMENTO RADIATOR



TM0111



2T85MXJ26
2T 85 MX JUNIOR - 2S 85 MX JUNIOR

IMPIANTO RAFFREDDAMENTO
RADIATOR

5

Pos.	Codice	Q.tà	Note	Descrizione	Description
1	23016	1		PROT. RADIATORE DX 80J 45333	GUARD, RADIATOR RIGHT 80J
2	23017	1		PROT. RADIATORE SX 80J 45332	GUARD, RADIATOR LEFT 80J
3	49484	4		VITE TCEI 6X20	BOLT TCEI 6X20
4	26064	4		BOCCOLA RADIATORE MY 02 / 06 ->	BUSH, RADIATOR M.02/06
5	21102	4		GOMMINO ANTIV.RADIAT.SILENZ. MY 94->	RUBBER, GROMMET RADIATOR and SILENC.
6	23067	1		RADIATORE 2T DX JUN MY19 FA L.TAP	RADIATOR RH JUNIOR
7	23062	1		TAPPO RADIATORE 1,8 BASSO(PER RADIATORE 23065)	RADIATOR CAP 1,8
8	23068	1		RADIATORE 2T SX JUN MY19 FA	RADIATOR LH JUNIOR
9	51036	4		FASCETTA A COLLARE DIAM.24 ZN	CLIP, WATER HOSE, d.24 ZN
10	51014	2		FASCETTA INOX 9 - 14 H5 IMBUT	BAND, INOX 9-14 H5 IMBUT
11	67036	1		TUBO ANTIBENZINA 8 x 14	HOSE, OIL/FUEL 8x14
12	67170	1		TUBO COPOLAN GRIGIO 5x9 mm (rotolo 200 ml.)	HOSE, COPOLAN GREY 5x9 mm
13	21020	1		MANICOTTO ACQUA LUNGO 90	HOSE, RUBBER 90cms
14	51062	5		FASCETTA A COLLARE DIAM.22 ZN	CLIP, WATER HOSE, d.22 ZN
15	21071	1		Raccordo a T radiatori Junior 2019	JOINT, RADIATOR JUNIOR
16	F21413.1	2		MANICOTTO ACQUA RADIATORE 05->	WATER HOSE RADIATOR M.2005
17	21122.19	1		MANICOTTO COLL. TESTA A RAD DX E SX 85J	HOSES KIT WATER, HEAD TO COOLER 85J



2T85MXJ26
2T 85 MX JUNIOR - 2S 85 MX JUNIOR

SERBATOIO
FUEL TANK

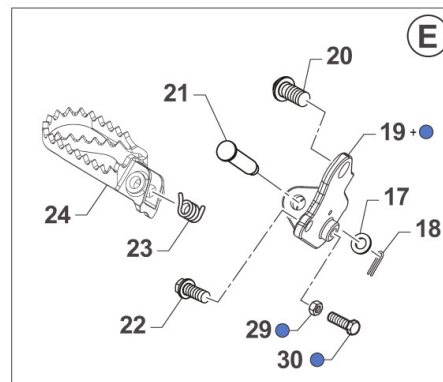
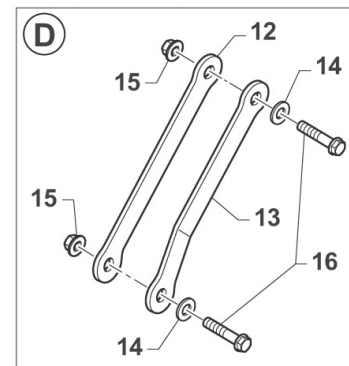
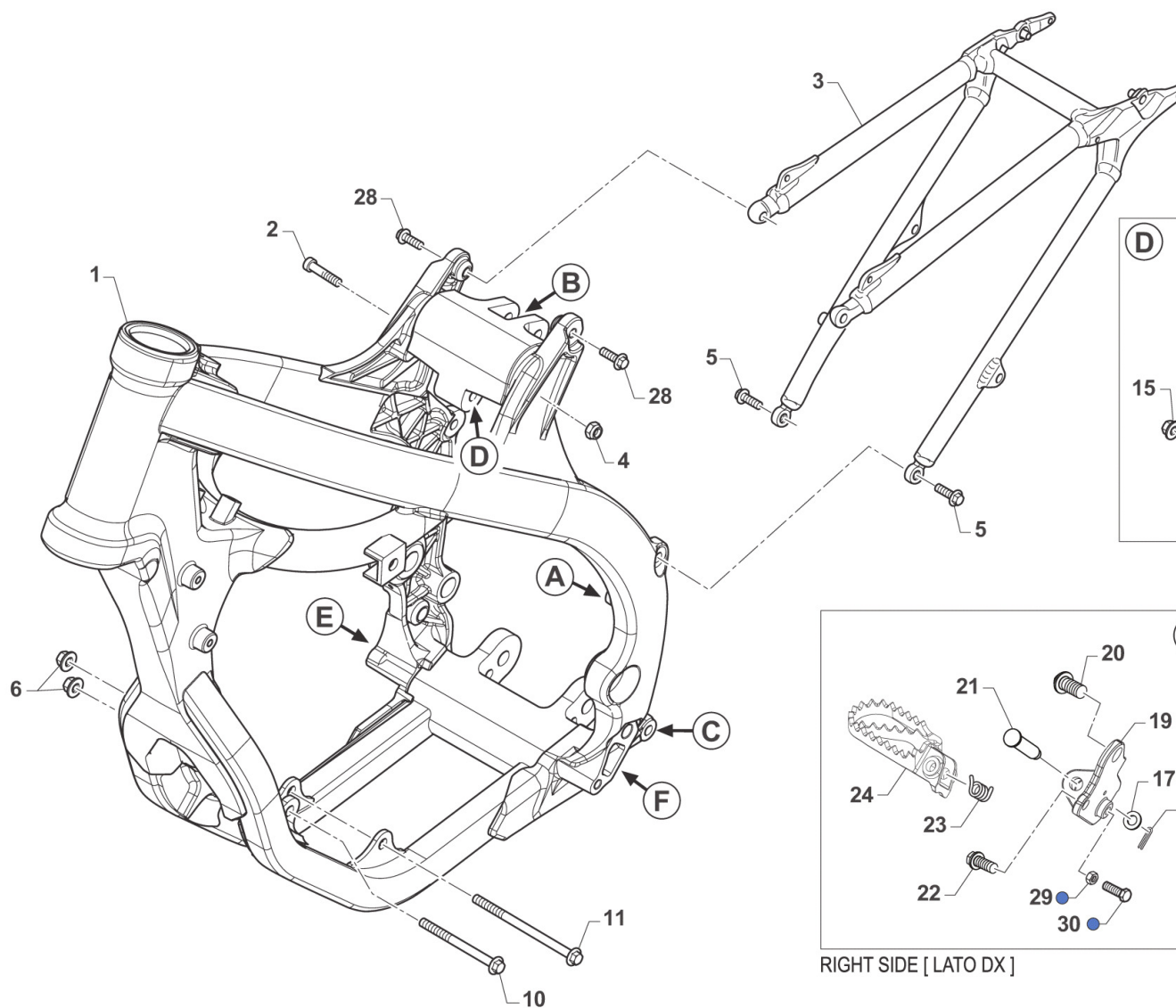
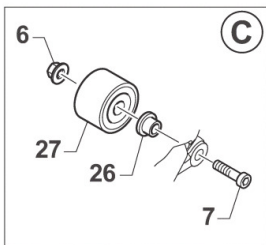
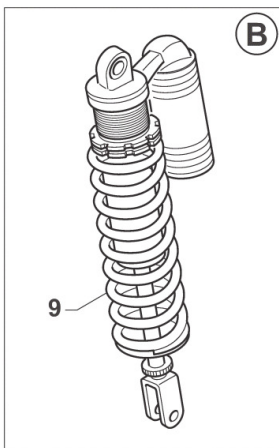
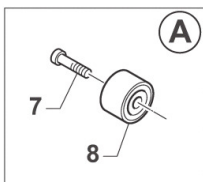
6

Pos.	Codice	Q.tà	Note	Descrizione	Description
1	67320	1		SERBATOIO 85J COMPLETO M.13/-> PLASTICA	FUEL TANK ASSY, JUNIOR
2	67311	1		SERBATOIO 85J M.13/-> PLASTICA NERO	FUEL TANK 85J M.13->
3	65061	1		RUBINETTO BENZINA DIRITTO J-13/ carb 2022	FUEL COCK J13->
4	49435	2		VITE TE 5X12	SCREW TE 5X12
5	26083	1		BOCCOLA FISS.SELLA/SERBAT. M08	BUSH, FIX SEAT / TANK M.08->
6	49404	1		VITE TSEI 6X16	BOLT TSEI 6x16
7	65009	1		TAPPO SERBATOIO PICC.98-07/ 15	CAP, FUEL TANK M.98/07
8	F49822	1		VITE ES.FLANG.M6X12 T.AL.M08	BOLT, 6X12 AL. FRAME M.08->
9	26082	1		PIASTRINO PL.SERBATOIO M 08/10	PLASTIC PLATE TANK M.08->10
10	49574	2		VITE TBCE 6 x 12 PLASTICHE	BOLT TBCE 6x12

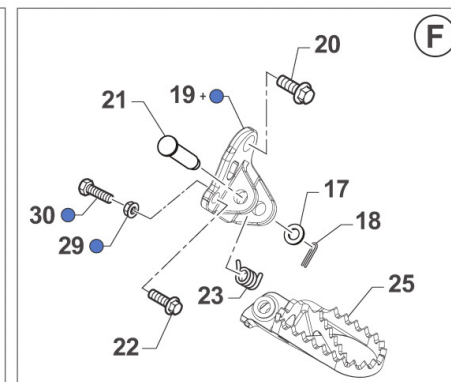


2T85MXJ26
2T 85 MX JUNIOR - 2S 85 MX JUNIOR

TELAIO
FRAME



RIGHT SIDE [LATO DX]



LEFT SIDE [LATO SX]



2T85MXJ26
2T 85 MX JUNIOR - 2S 85 MX JUNIOR

TELAIO
FRAME

Pos.	Codice	Q.tà	Note	Descrizione	Description
1	73000.13	1		TELAIO MOTO 80/85/100 AL J13	FRAME JUNIOR MY13
2	49792	1		VITE TE F/R 10X54 1.25 T.AL08	BOLT, M10X1.25X54 ALU.FRAME08
3	73002.12	1		CODINO TELAIO 85 JUNIOR M. 13	REAR SUBFRAME 85J M.13->
4	49681	1		DADO M 10 X 1,25 CH 14 FLANG. AUTOBLOCK	NUT M10x1,25 FLANGED SELF-LOCK
5	49724	2		VITE TE F/R 8X21	BOLT TE F/R 8x21
6	49680	3		DADO M 8 X 1,25 CH 12 FLANG. AUTOBLOCK	NUT, M 8X1,25 FLANG. SB
7	49366	2		VITE TE F/R 8X40 Ch.10	BOLT 8X40 T.10mm
8	67088	1		ROTELLA CATENA M. 90/07	CHAIN ROLLER M.90/07
9	72132	1		AMMORTIZZATORE EXTREMETECH J13	SHOCK ABSORBER EXTREMETECH J13
10	49353	1		VITE TE F/R 8X90 1.25 Ch.10	SCREW TE F/R 8X90 1.25 Ch.10
11	49354	1		VITE TE F/R 8X120 1.25 Ch.10	SCREW TE F/R 8X120 1.25 T.10
12	26228	1		PIASTRA TIRANTE 85/100 J DX MY 13/->	PLATE RH, CYLINDER/FRAME 85-100 J
13	26229	1		PIASTRA TIRANTE 85/100 J SX MY 13/->	PLATE LH, CYLINDER/FRAME 85-100 J
14	49611	2		RONDELLA ACCIAIO 8	WASHER STEEL 8mm
15	49680	2		DADO M 8 X 1,25 CH 12 FLANG. AUTOBLOCK	NUT, M 8X1,25 FLANG. SB
16	49445	2		VITE TE 8X50 UNI 5737	BOLT EH 8X50
17	49612	2		RONDELLA ACCIAIO 10	STEEL WASHER 10
18	73036	2		COPIGLIA PEDANA M. 92/01	COTTER PIN FOOTPEG 92/01
19	73149	2		KIT ATT. PEDANE RIBASSATE JUN	FOOT PEG LOWERING KIT JUNIOR
20	49382	2		VITE ESAG.FLANG.M12X25 T.A.	BOLT 12 X 25 FLANGE
21	73064	2		PERNO PEDANE M.08-> X T.ALLUM.	PIN, FOOT PEG, 08/->
22	49383	2		VITE ESAG.FLANG.M8X1.25X20 T.A	BOLT 8 X 20 FLANGE
23	16022	2		MOLLA RITORNO PEDANE M.08/->	SPRING, FOOT PEG PIN 08/->
24	73048.10	1		PEDANA DX MOD. 2010	FOOTPEG, RIGHT M.10->
25	73049.10	1		PEDANA SX MOD. 2010	FOOTPEG, LEFT M.10->
26	26141	1		BOCCOLA ROTELLA CATENA.JUN'13	BUSH, CHAIN WHEEL JUNIOR 13->
27	67088.08	1		ROTELLA CATENA M. 08/->	CHAIN ROLLER 08/->
28	49364	2		VITE TE F/R 8X25 Ch.10	BOLT, EH 8X25 To.10 mm



2T85MXJ26
2T 85 MX JUNIOR - 2S 85 MX JUNIOR

TELAIO
FRAME

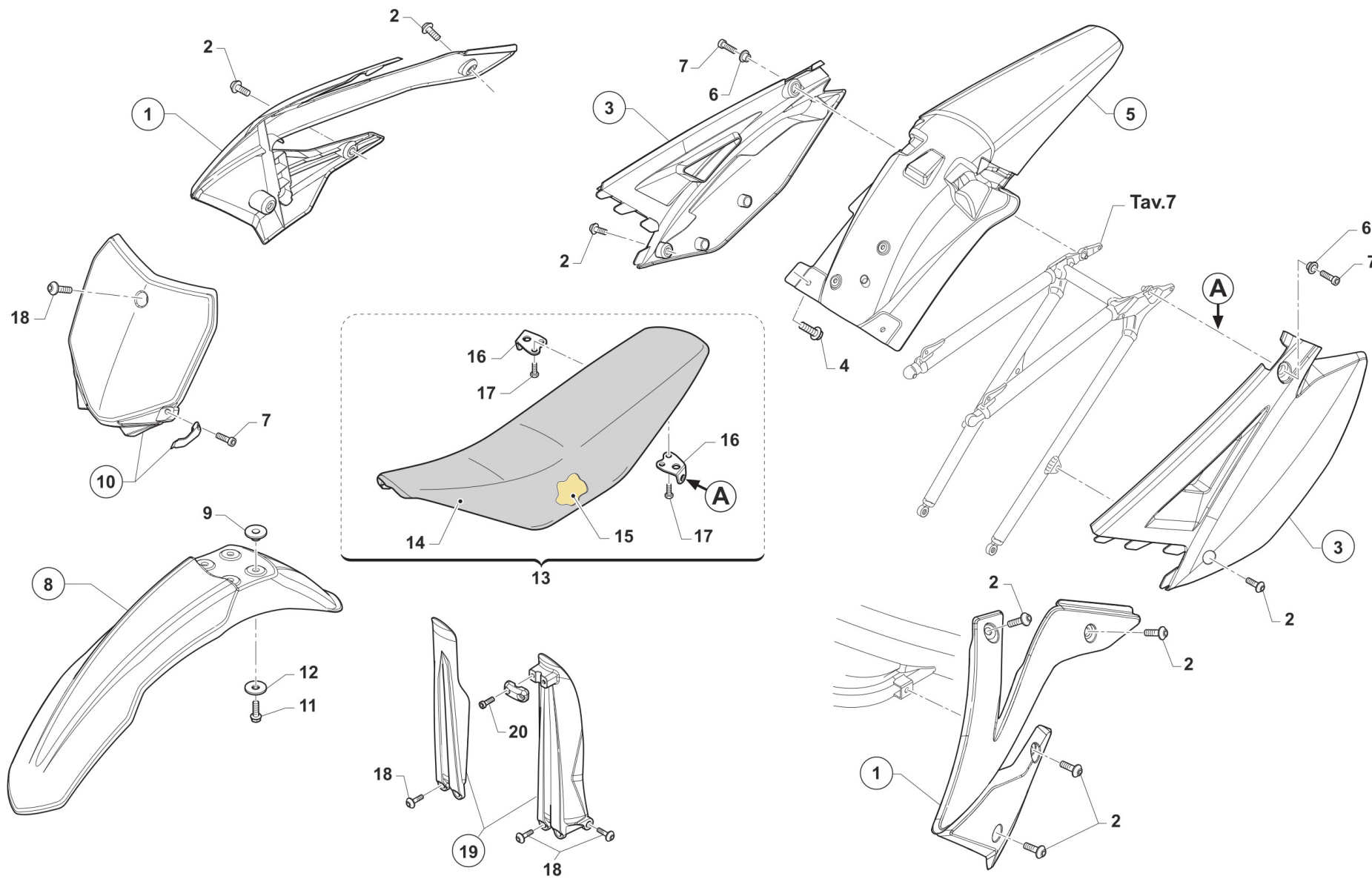
7

Pos.	Codice	Q.tà	Note	Descrizione	Description
29	49642	2		DADO M 8	NUT 8mm
30	49452	2		VITE TE 8X30	



2T85MXJ26
2T 85 MX JUNIOR - 2S 85 MX JUNIOR

PLASTICHE E SELLA
PLASTIC AND SEAT



0114.06



2T85MXJ26
2T 85 MX JUNIOR - 2S 85 MX JUNIOR

PLASTICHE E SELLA
PLASTIC AND SEAT

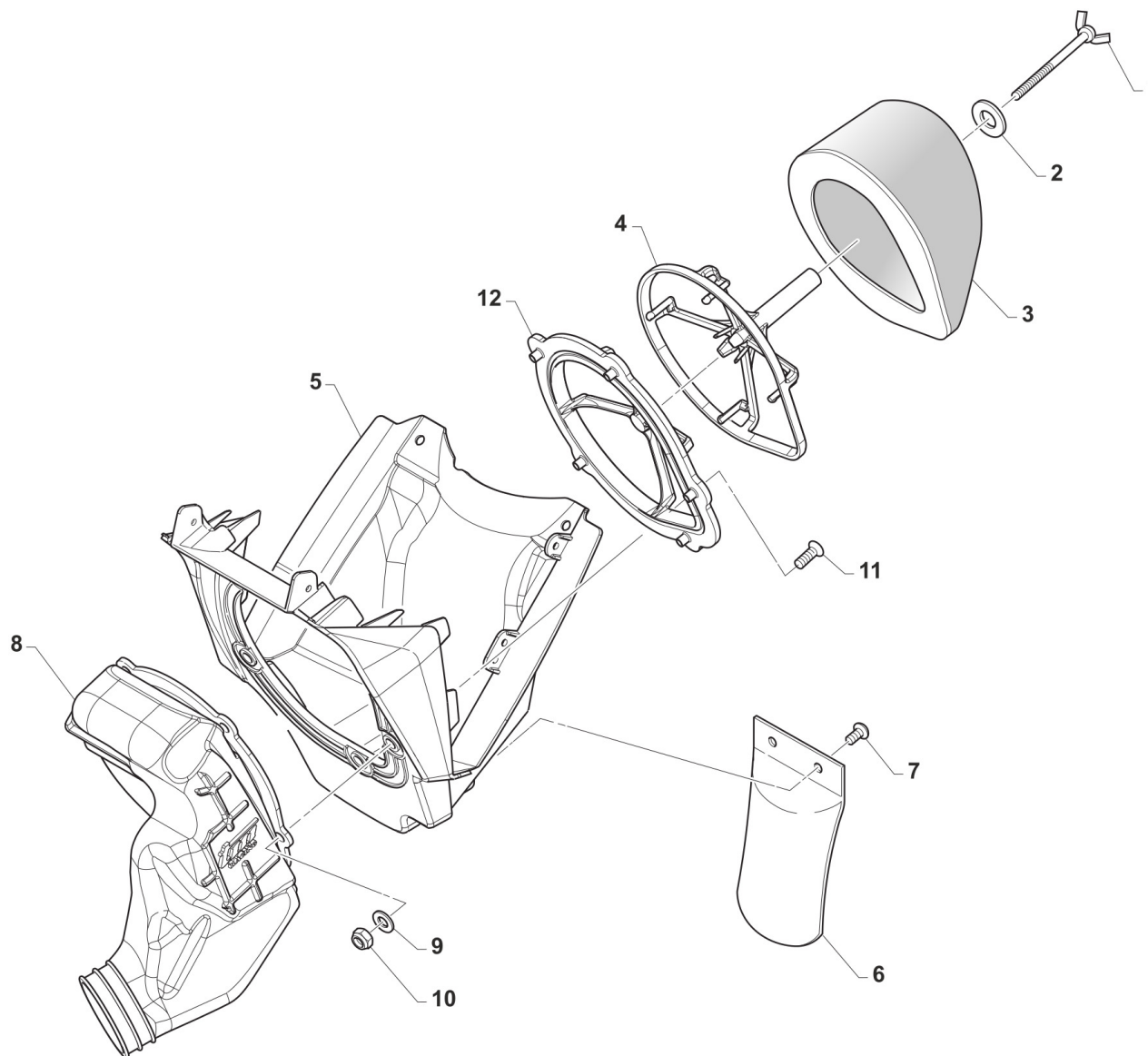
8

Pos.	Codice	Q.tà	Note	Descrizione	Description
1	67490	1		SET CONV. ARIA 2T 85 J MY 2025 QUANTUM	RAD SHROUDS, JUNIOR MY25 - QUANTUM GREY
2	49574	10		VITE TBCE 6 x 12 PLASTICHE	BOLT TBCE 6x12
3	67491	1		SET LAT P.NUM 2T 85 J MY 2025 QUANTUM	SIDE PANELS RH+LH JUNIOR MY25 - QUANTUM GREY
4	49356	2		VITE TE F/R 6X20 Ch.8	BOLT 6X20 T.8
5	67483	1		PARAFANGO POSTERIORE JUNIOR'25 QUANTUM	MUDGUARD, REAR JUNIOR MY25 - QUANTUM GREY
6	26059	2		BOCCOLA FISS.SELLA & LAT.03/->	COLLAR, SEAT/SIDE PANEL 03/->
7	49484	2		VITE TCEI 6X20	BOLT TCEI 6X20
8	67480	1		PARAFANGO ANTERIORE JUN'25 QUANTUM	MUDGUARD, FRONT JUNIOR MY25 - QUANTUM GREY
9	26132	4		BOCCOLA PARAF. ANT. M12	BUSH, FRONT MUDGUARD M.12->
10	67487	1		PORTANUMERO ANT 85J 2025 QUANTUM CON PASSACAVO	FRONT N.PLATE JUNIOR MY25 - QUANTUM GREY
11	49356	4		VITE TE F/R 6X20 Ch.8	BOLT 6X20 T.8
12	49117	4		RONDELLA 18X6.5X2 X RADIAT.08	WASHER 18X6.5X2 RADIATOR 08
13	67488	1		SELLA JUNIOR MODELLO 2025 QUANTUMTERMOSALDATA	
14	67489	1		COPERTINA SELLA JUNIOR QUANTUM MY25	
15	67309.00	1		SPUGNA SELLA JUNIOR 13->	FOAM, SEAT JUNIOR M.13->
16	73047	2		PIASTRINO AL ATT.SELLA POSTER.	PLATE AI REAR SEAT HOLDER
17	49435	4		VITE TE 5X12	SCREW TE 5X12
18	49571	5		VITE TBCE 6 x 7 PROT. FORCELLA	BOLT TBCE 6x7
19	67486	1		KIT PROTEZ.FORC.JUN'25 CPL QUANTUM CON PASSACAVO	FORK PROTECTOR KIT JUNIOR MY25 - QUANTUM GREY
20	49474	1		VITE TCEI 5X16 UNI 5931	BOLT TCEI 5X16



2T85MXJ26
2T 85 MX JUNIOR - 2S 85 MX JUNIOR

FILTRO ARIA
AIR FILTER



TM0115



2T85MXJ26
2T 85 MX JUNIOR - 2S 85 MX JUNIOR

FILTRO ARIA
AIR FILTER

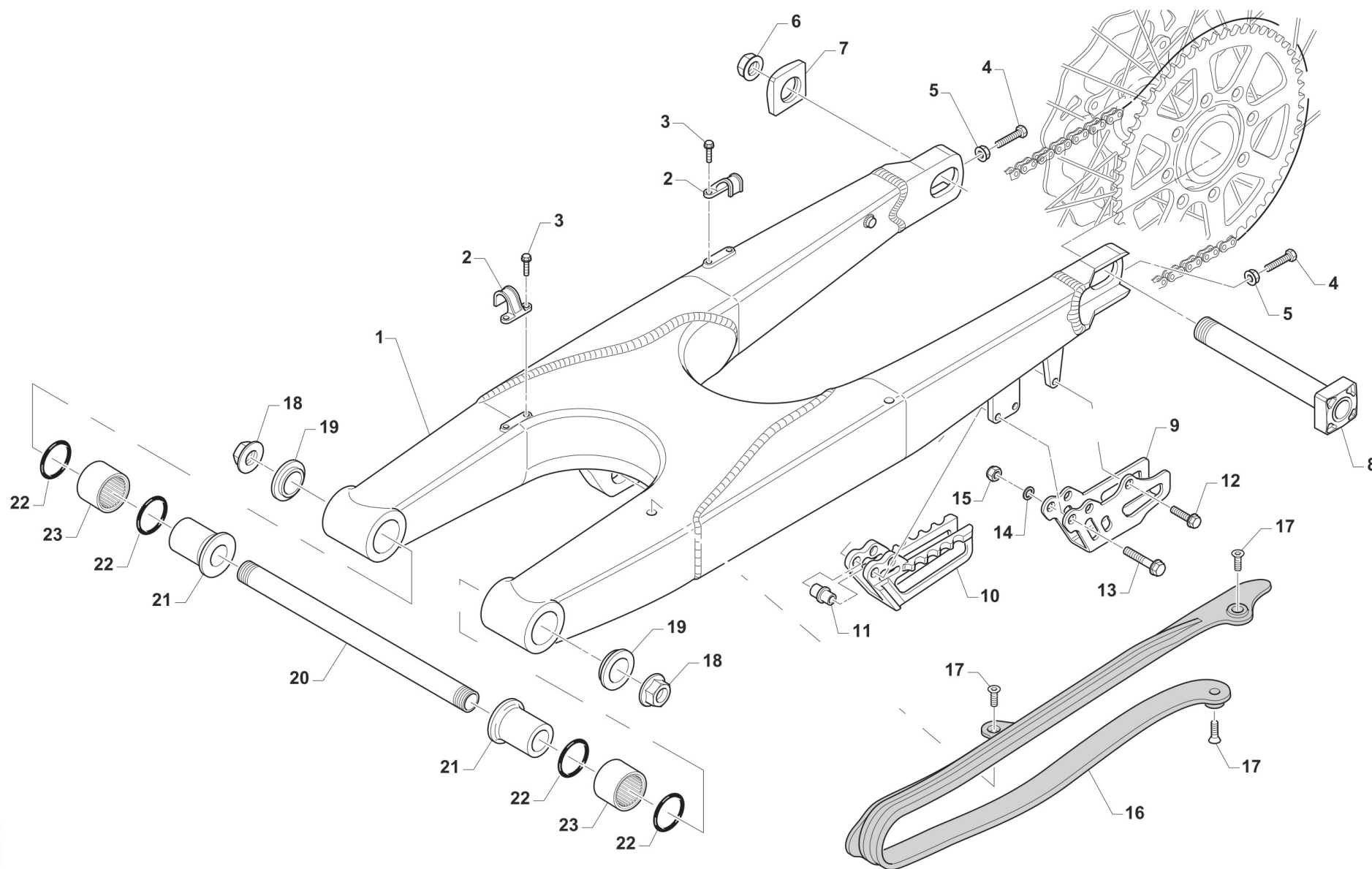
9

Pos.	Codice	Q.tà	Note	Descrizione	Description
1	49324	1		GALLETTO C/PERNO FILTRO 6x70	SCREW WITH PIN AIR FILTER 6X70
2	26084	1		RONDELLA PARAF ANT. 24x2 M.08	WASHER, FRONT FENDER 24 X 2
3	66060	1		FILTRO ARIA 2T/4T/85 M.13/14ES	AIR FILTER M. 2013 ES
4	66062	1		GABBIA FILTRO M.2013 ES/J'13	CAGE, AIR FILTER 66060 ES/J'13
5	67305	1		CASSA FILTRO JUNIOR 2013 CPL	AIR BOX 85 JUNIOR M.13-> ASSY
6	67104	1		PROTEZIONE MONO MOD. 92/->	GUARD, SHOCK ABSOVER M. 92/->
7	49320	2		VITE TB LARGA 6X15(16)LATERALI	BOLT TB LARGE 6X15(16)
8	67312	1		CUFFIA CASSA FILTRO JUN.2013	AIR BOOT JUNIOR MY13
9	49602	5		RONDELLA 5 x 15 x 1,2	WASHER 5x15
10	49629	5		DADO M 5 ALTO AUTOBLOCCANTE	NUT 5mm, HIGHT SELF-LOCKING
11	49402	5		VITE TSEI 5X20	BOLT TSEI 5X20
12	66017	1		PIASTRA MANIC. C.FILTRO 2013	PLATE, AIR FILTER MANIFOLD 13



2T85MXJ26
2T 85 MX JUNIOR - 2S 85 MX JUNIOR

FORCELLONE SWINGARM



TM0116



2T85MXJ26
2T 85 MX JUNIOR - 2S 85 MX JUNIOR

FORCELLONE
SWINGARM

10

Pos.	Codice	Q.tà	Note	Descrizione	Description
1	73001.13	1		FORCELLONE 85 JUNIOR M. 13/->	SWINGARM JUNIOR MY13
2	67054	2		FERMA TUBO FRENO POST. M.97/->	RETAIN CLAMP BRAKE HOSE 97/->
3	49794	4		VITE AUTOFOR. 4.8X16 7504	BOLT, 4,8 X 16 7504
4	F49976	2		VITE TE 8X45 ES.10 FORCELLONE	SCREW TE 8X45 SWINGARM
5	49640	2		DADO M 8 FLANGIATO CHIAVE 12	NUT 8mm, FLANGE
6	49115	1		DADO PERNO R.PST J 06 CH20X1.5	NUT, RR WHEEL JUNIOR 20X1.5
7	70225	1		TENDICATENA JUNIOR'13 MOBILE	ADJ BLOCK, CHAIN JUNIOR 2013
8	74045.13	1		PERNO RUOTA POST. JUNIOR 2013	AXLE, RR WHEEL JUNIOR 2013
9	73130	1		PASSACATENA ALLUM. MOD. 11/->	PLATE, CHAIN GUIDE M. 11/->
10	67102.10	1		PASSACATENA NYLON MOD.2011	GUIDE, CHAIN M. 11/->
11	26092	1		BOCCOLA PASSACATENA M.11->	BUSH, CHAINGUIDE M11->
12	49370	1		VITE TE F/R 6X12	BOLT 6X12
13	49362	2		VITE TE F/R 6X50 Ch.8	BOLT 6X50 T.8
14	49603	2		RONDELLA M 6,4 X 12 X 1,6	WASHER 6x12
15	49638	2		DADO M 6 ALTO AUTOBLOCCANTE	NUT 6mm, HIGHT SELF-LOCKING
16	67099.15	1		PROTEZIONE FORCELLONE M.2015	SWINGHARM PROTECTION M.2015
17	49396	3		VITE TSEI 5X10	BOLT TSEI 5X10
18	49095	2		DADO 16 FORCELLONE MOTO 95/10	NUT, SWINGARM AXLE M. 95/05
19	73115	2		COPERCHIO BOCCOLA FORC. M08->	COLLAR, SWINGARM M.08
20	74013	1		PERNO FORCELLONE M.95/07 85J13	AXLE, SWINGARM 16 M. 95/06
21	73138	2		BOCCOLA FORC.'13 F16 30X44.5	BUSH JUNIOR FORK H.16 30X44,5
22	12102	4		O RING LEVERAGGIO & FORCELLONE	O-RING, LINKAGE & SWINGARM
23	19043	2		ASTUCCIO A RULLI HK 2030	NEEDLE CAGE HK 20/30



2T85MXJ26
2T 85 MX JUNIOR - 2S 85 MX JUNIOR

LEVERAGGI
LINKAGE

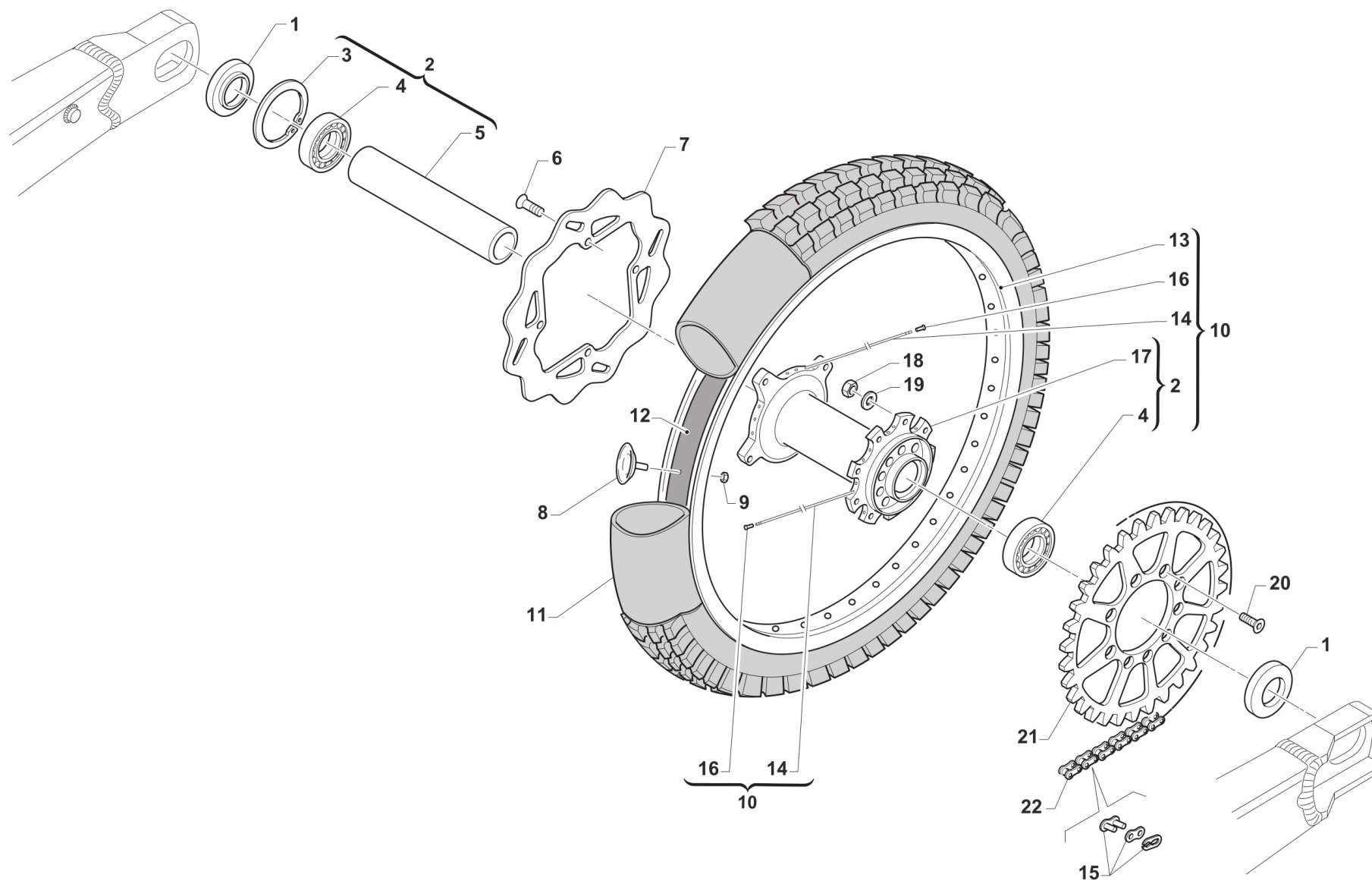
11

Pos.	Codice	Q.tà	Note	Descrizione	Description
1	73134	1		TRIANGOLO SOSP. 85J 13/-> NUDO	ARM, LINKAGE
2	19106	6		GABBIA RULLINI DL 2016 KYU	BUSH NEEDLE CAGE 26 X 20 H16
3	12010	2		O RING ORM 0240-30 TRIANG.05/6	O-RING, LINKAGE 05/6 ORM 0240-30
4	73075	2		COPERCHIO BOCCOLA TRIANG '05	COVER, BUSH
5	73211	1		BOCCOLA TRIANGOLO LEVER.05/->	BUSH, ARM RELAY 12X20X38
6	49682	3		DADO M12X1,25 FLANG.AUTOBL.AC	NUT, M 12 x 1,25 FLANGE SL
7	49345	1		VITE TE F/R 12X90 1.25 Ch13	BOLT TE F/R 12X90 1.25 T.13
8	F73416	1		BOCCOLA TRIANG. 20x48F12 05/->	COLLAR, ROD M.04 12x20x48
9	12102	4		O RING LEVERAGGIO & FORCELLONE	O-RING, LINKAGE & SWINGARM
10	19101	1		GABBIA RULLINI DL 1812 KYU	BUSH NEEDLE CAGE DL 18/12
11	73214	1		BOCCOLA 18 X 20 F.10 TRIANGOLO 07/->	COLLAR, ARM ASSY 10 18X20 M.07
12	F12312	2		O RING FILTRO OLIO P.ASPIRAZ.+LEV.	O-RING, OIL FILTER
13	49791	1		VITE TE F/R 10X39 1.25 T.AL08	BOLT, M10X1.25X39 ALU.FRAME08
14	73135	1		TRAPEZIO SOSP. 85J 13/-> NUDO	ROD, LINKAGE
15	73204	1		BOCCOLA TRAPEZIO 20 x 74 F.12	BUSHING 20x74x12, ROD SUSP. 05
16	F49874	1		DADO M 10 X 1,25 CH 12 FLANGIATO	NUT FLANGED M 10x1,25 T.12mm
17	49884	1		VITE TE F/R 12X110 LEV.85J13->	BOLT TE F/R 12X110 LINKAGE 85J
18	73142	1		TRIANGOLO SOSP. 85J 13/-> CPL	ARM ASSY JUNIOR
19	73143	1		TRAPEZIO SOSP. 85J 13/-> CPL	ROD ASSY JUNIOR



2T85MXJ26
2T 85 MX JUNIOR - 2S 85 MX JUNIOR

RUOTA POSTERIORE
REAR WHEEL



TM0118



2T85MXJ26
2T 85 MX JUNIOR - 2S 85 MX JUNIOR

RUOTA POSTERIORE
REAR WHEEL

12

Pos.	Codice	Q.tà	Note	Descrizione	Description
1	26104	2		BOCCOLA CUSC.POS.80J 35X17 D/S	BUSH, RR WHEEL BEAR. 85J 35X17
2	70228	1		MOZZO POST 80/85J 13/-> CPL	HUB REAR WHEEL 85J 13-> ASSY
3	49249	1		SEEGER I 40 RUOTA POST.JUNIOR	SEEGER I 40
4	03067	2		CUSCINETTO RUOTA POST. 80/85 Jun.	BUSH, REAR WHEEL 80/85cc Jun.
5	70232	1		DIST.INT.R.POST. JUN'2013	INNER SPACER REAR WHEEL J.13->
6	49355	4		VITE TE F/R 6X16 Ch.8	BOLT 6X16 T.8
7	69308	1		DISCO FRENO 190X3.5 PST 85J 18MM	BRAKE DISK, REAR 85J 190x3.5 18mm
8	70030.1	1		FERMA COPERTURA RUOTA ANTER. 1.60	STOPPER 1.60
9	49640	1		DADO M 8 FLANGIATO CHIAVE 12	NUT 8mm, FLANGE
10	70233	1	14" X 1.60	CERCHIO PST.CPL. 80 J 14 13->	RIM REAR ASSY 80J 14 M.13->
10	70235	1	16" X 1.85	CERCHIO PST CPL 85J 16 13/->	WHEEL, REAR ASSY 85J 16 13->
11	80120	1	16"	CAMERA ARIA 16 J	INNER TUBE REAR WHEEL 16 J
11	80121	1	14"	CAMERA ARIA 14 J	INNER TUBE REAR WHEEL 14 J
12	70036	1	14"	FLAP RUOTA POSTERIORE 14	FLAP REAR WHEEL 14
12	70037	1	16"	FLAP RUOTA POSTERIORE 16	FLAP FRONT WHEEL 16
13	70041	1	16"	CERCHIO POST 16x1.85 JUNIOR TK	REAR RIM 16x1.85 JUN. Tagasago
13	70043	1	14"	CERCHIO POST 14x1.60 JUNIOR TK	REAR RIM 14x1,60 JUN. Tagasago
14	70255	28	14"	RAGGIO RUOTA 14 166X4/3.1/4 J	SPOKE, 14 WHEEL 166X4/3.1/4 J
14	70256	28	16"	RAGGIO RUOTA 16 4/3.1/4X187 J	SPOKE F.WHEEL J 16 4/3.1/4 X187
15	70097	1		GIUNTO CATENA 126 HK 85j	CHAIN, JOINT 126 RH
16	70062	28		NIPPLO ACCIAIO 4	SPOKE NIPPLE 4 mm
17	70321	1		MOZZO POST 85J NUDO VMX MY2022	
18	49643	7		DADO M 8 BASSO AUTOBLOCCANTE	NUT 8mm, LOW SELF-LOCKING
19	49611	7		RONDELLA ACCIAIO 8	WASHER STEEL 8mm
20	49421	7		VITE TSEI 8X25	BOLT TSEI 8X25
21	70104.48	1		CORONA CAT. 85 JUNIOR - Z 48	SPROCKET 48T 85cc JUNIOR
21	70104.49	1		CORONA CAT. 85 JUNIOR - Z 49	SPROCKET 49T, REAR, JUNIOR
21	70104.51	1		CORONA CAT. 85 JUNIOR - Z 51	SPROCKET 51T 85cc JUNIOR

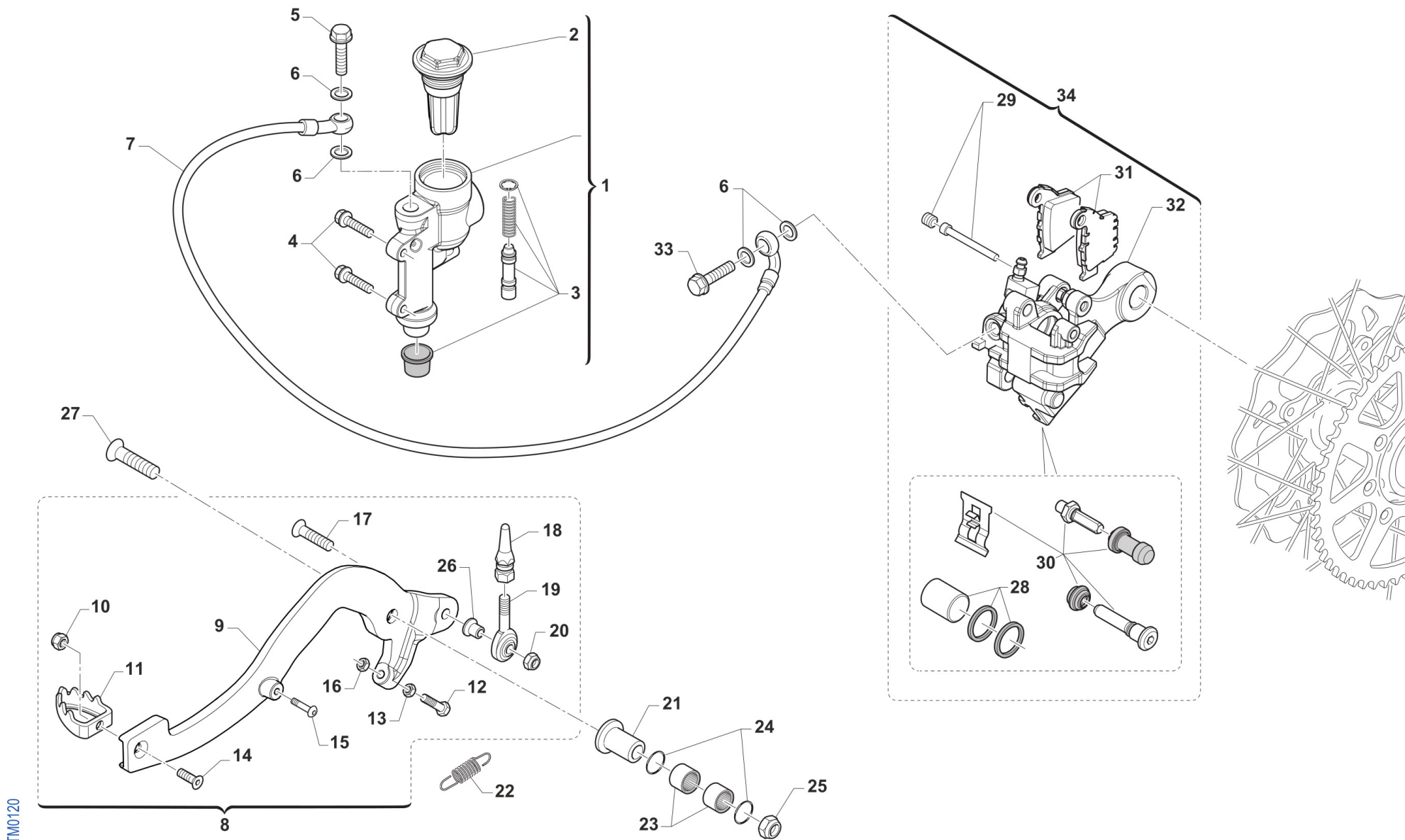


2T85MXJ26
2T 85 MX JUNIOR - 2S 85 MX JUNIOR

RUOTA POSTERIORE
REAR WHEEL

12

Pos.	Codice	Q.tà	Note	Descrizione	Description
21	70104.52	1		CORONA CAT. 85 JUNIOR - Z 52	SPROCKET 52T, REAR, JUNIOR
21	70104.53	1		CORONA CAT. 85 JUNIOR - Z 53	SPROCKET 53T, REAR, JUNIOR
21	70104.54	1		CORONA CAT. 85 JUNIOR - Z 54	SPROCKET 54T, REAR, JUNIOR
21	70104.55	1		CORONA CAT. 85 JUNIOR - Z 55	SPROCKET 55T, REAR, JUNIOR
22	70092.1	1		CATENA REGINA 126 MG 85J	CHAIN 126 RX3 X 126 85J



TM0120



2T85MXJ26
2T 85 MX JUNIOR - 2S 85 MX JUNIOR

FRENO POSTERIORE
REAR BRAKE

13

Pos.	Codice	Q.tà	Note	Descrizione	Description
1	69243	1		POMPA FRENO POST 85J 13/-> BRE	MASTER CYLINDER, REAR 85J 13->
2	69264	1		TAPPO POMPA FRE.POST.JUNIOR	CAP + RUBBER, REAR BRAKE PUMP JUNIOR
3	69263	1		FLOTTANTE POMPA FRENO POST.JUNIOR	REPAIRASSY, RR BRAKE PUMP JUNIOR MY13->
4	49355	2		VITE TE F/R 6X16 Ch.8	BOLT 6X16 T.8
5	69093	1		BULLONE 10X1 TUBO FRENO BREMBO 03	HOLLOW SCREW M10X1 BREMBO BR.
6	69034	4		RONDELLA X BULLONE FREN B22001	WASHER B22001, BRAKE HOSE
7	69068.13	1		TUBO FRENO POST. JUNIOR M13-> BRAK	HOSE, REAR BRAKE 85J M.13->
8	69235	1		PEDALE FRENO POST.JUN'13 CPL	BRAKE PEDAL, REAR JUN.13->ASSY
9	69235.1	1		PEDALE FRENO POST.JUN'12 NUDO	BRAKE PEDAL RR JUNIOR M.12->
10	49633	1		DADO M 5 BASSO AUTOBLOCCANTE	NUT 5mm, LOW SELF-LOCKING
11	69002.99	1		PARTE ANT.PED.FRENO POST.99/->	PIT, RR BRAKE PEDAL 99/->
12	49444	1		VITE TE 6X25	BOLT TE 6 X 25
13	49635	1		DADO M 6 BASSO 5589	NUT M 6
14	49400	1		VITE TSEI 5X14	BOLT TSEI 5x14
15	49557	1		VITE TBCE 4X16	BOLT TBCE 4x16
16	49367	2		VITE TE F/R 8X45 Ch.10	BOLT 8X45 T.10mm
17	49414	1		VITE TSPEI 6X30 NORMALE UNI 5933	BOLT TSEI 6X30
18	69244	1		PERNO UNIBALL PEDALE FR.JUN'13	PIN UNIBALL BRAKE PEDAL JUN.13
19	69133	1		SNODO SFERICO PED.FRENO 85JM13	JOINT BRAKE PEDAL 85cc M13->
20	49367	1		VITE TE F/R 8X45 Ch.10	BOLT 8X45 T.10mm
21	69205	1		BOCCOLA FRENO POST T.AL 08/->	BUSH, REAR BRAKE 08/->
22	F16434	1		MOLLA PEDALE FRENO M.08 T.AL.	SPRING, RR BRAKE PEDAL 08/->
23	19044	2		GABBIA A RULLI FRENO POST.	NEEDLE BUSH REAR BRAKE PEDAL
24	12051	2		O RING FRENO POST. PEDALE	O-RING REAR BRAKE PEDAL BUSH
25	49680	1		DADO M 8 X 1,25 CH 12 FLANG. AUTOBLOCK	NUT, M 8X1,25 FLANG. SB
26	69245	1		DIST. UNIBALL PEDALE FR.JUN'13	SPACER, UNIBALL
27	49427	1		VITE TSEI 8X55	BOLT TSEI 8X55



2T85MXJ26
2T 85 MX JUNIOR - 2S 85 MX JUNIOR

FRENO POSTERIORE
REAR BRAKE

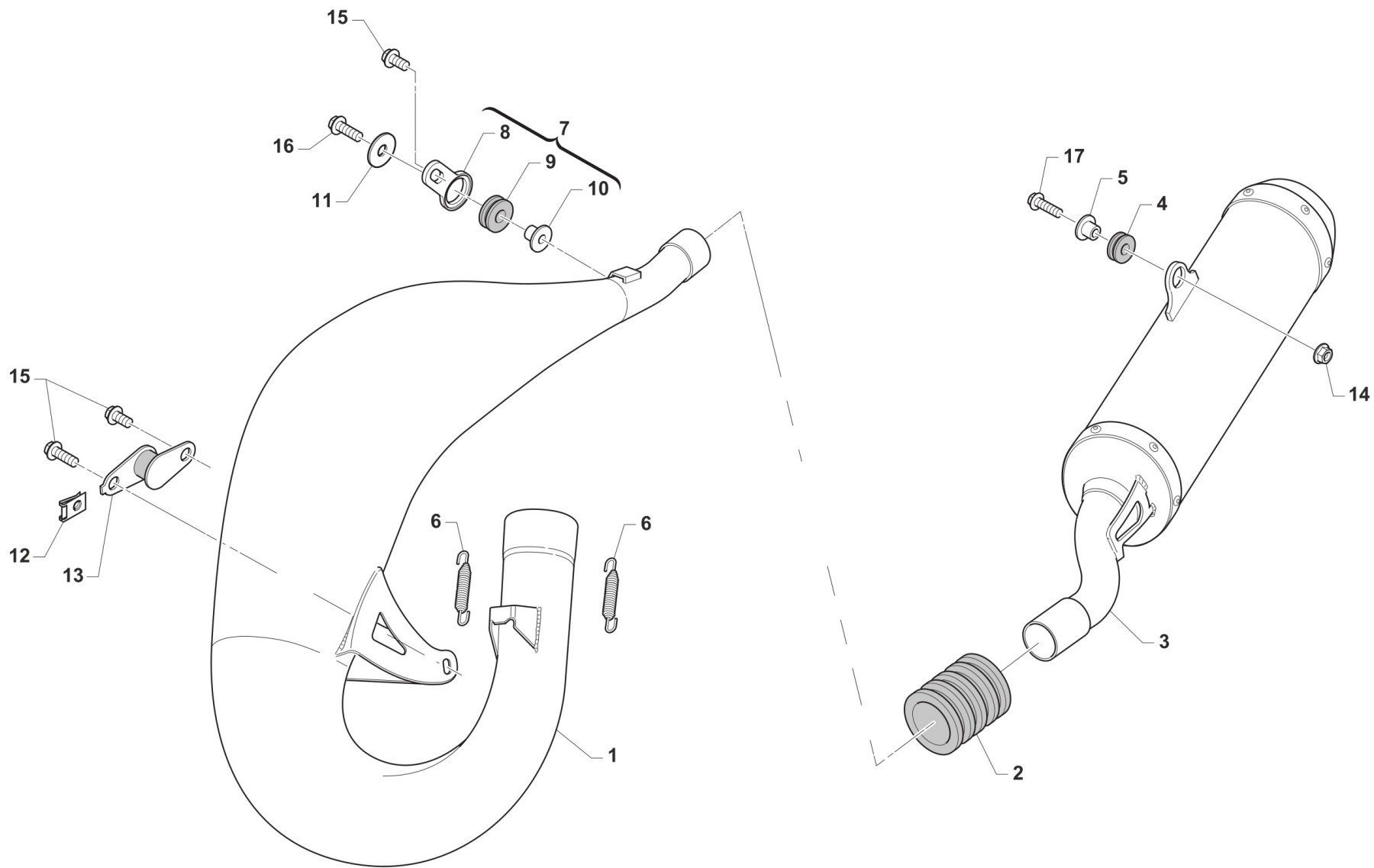
13

Pos.	Codice	Q.tà	Note	Descrizione	Description
28	69253	1		KIT PISTONE+ OR PINZA FRENO POST d.25 BRAKING JUNIOR	PISTON+O-RING REAR CALIPER BRAKING JUNIOR
29	69280	1		PERNO + GRANO PAST. ANT/POST BRAKING JUNIOR	PIN+GRUB ANT/POST BRAKING JUNIOR
30	69254	1		KIT VITI + CUFFIE + LAMIERINO PINZA ANT/POST BRAKING JUNIOR	BOLT+RETAINER BRAKE PAD ANT/POST JUNIOR
31	69247	1		PASTIGLIE ANT. / POST. JUNIOR M.13->	PAD KIT, F.&R. CALIPER J 13
32	69241	1		SUPPORTO PINZA PST.BRAKING J13	HOLDER, REAR BRAKE CALIPER J13
33	69094	1		BULLONE 10X1.25 T.FRENO NISSIN 03	BOLT,10X1,25 BRAKE HOSE NISSIN
34	69242	1		PINZA FRENO POST. JUNIOR M.13->	REAR BRAKE CALIPER D.25mm



2T85MXJ26
2T 85 MX JUNIOR - 2S 85 MX JUNIOR

SCARICO
EXHAUST SYSTEM



TM0121



2T85MXJ26
2T 85 MX JUNIOR - 2S 85 MX JUNIOR

SCARICO
EXHAUST SYSTEM

14

Pos.	Codice	Q.tà	Note	Descrizione	Description
1	27184	1		MARMITTA 85 JUNIOR MY 2019 SCALVINI	EXHAUST, SCALVINI JUNIOR MY19
2	21019	1		MANICOTTO SILENZIATORE SILICONE 97 ->	RUBBER, SILENCER/PIPE 97/->
2	21078	1		MANICOTTO MARMIT/SILENZ. SILICONE 85cc BLU	
3	27160	1		SILENZIATORE 85 JUNIOR M14 SC	SILENCER 85cc JUNIOR 14-> SCAL
4	21008	1		GOMMINO ANTIVIBR.RAD.K.SILENZ.	RUBBER, GROMMET RADIATOR/SILEN
5	26117	1		BOCCOLA SILENZIATORE 09->	BUSH, SILENCER M.09->11
6	16051	2		MOLLA TR.SCARICO BIC. KF3/85j	SPRING, EXHAUST KF3/85j
7	21094	1		SILENT BLOCK 05 PIAST+GOMM+BOC	SILENT BLOCK 05 ASSY PL+RU+BU
8	21093	1		PIASTRINO SILENT BLOCK 05 NUDO	PLATE, SILENT BLOCK 05
9	21102	1		GOMMINO ANTIV.RADIAT.SILENZ. MY 94->	RUBBER, GROMMET RADIATOR and SILENC.
10	26074	1		BOCCOLINA X SILENT-BLOCK 21094	BUSH FOR SILENT-BLOCK COD21094
11	26084	1		RONDELLA PARAF ANT. 24x2 M.08	WASHER, FRONT FENDER 24 X 2
12	49803	1		PRESTOLA SILENT BLOCK MARMITTA	RANGE CHANGE METAL NUT M6
13	21111	1		SILENT BLOCK MARMITTA M.94->	SILENT BLOCK EXHAUST PI.M.94->
14	49676	1		DADO M 6X1 FLANG. AUTOBL.ACC.	NUT, FLANGED M6 X 1 S.B.
15	49355	3		VITE TE F/R 6X16 Ch.8	BOLT 6X16 T.8
16	49356	1		VITE TE F/R 6X20 Ch.8	BOLT 6X20 T.8
17	49359	1		VITE TE F/R 6X35 Ch.8	BOLT 6X35 T.8

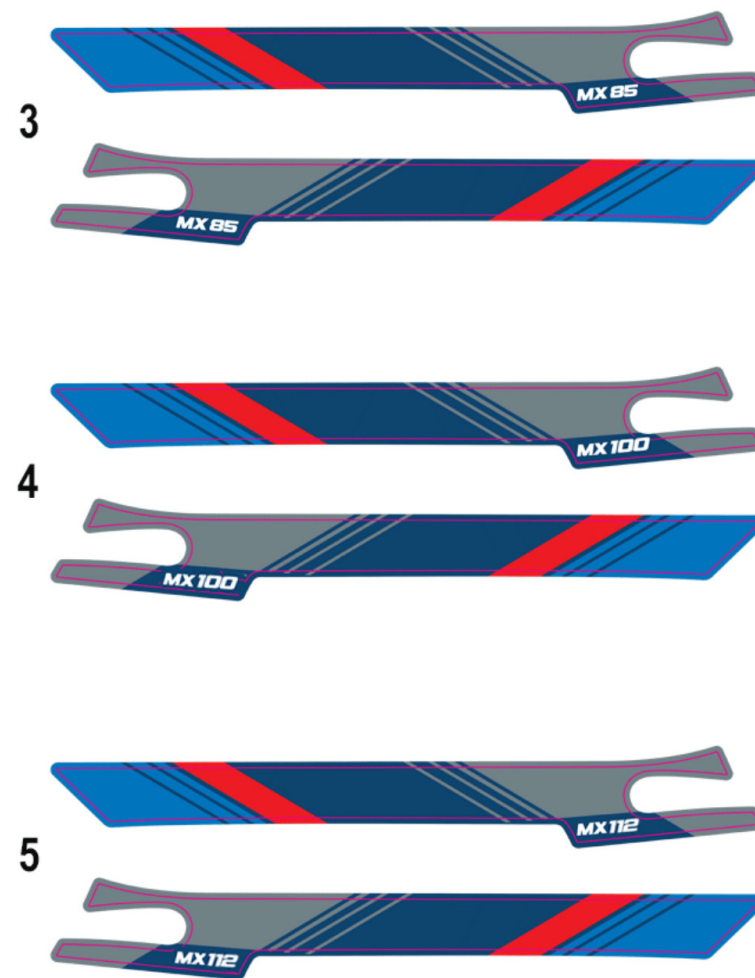


2T85MXJ26
2T 85 MX JUNIOR - 2S 85 MX JUNIOR

KIT ADESIVI MX-J
DECALS KIT MX-J



1



3

4

5

KA26-MXJ



2T85MXJ26

2T 85 MX JUNIOR - 2S 85 MX JUNIOR

KIT ADESIVI MX-J

DECALS KIT MX-J

15

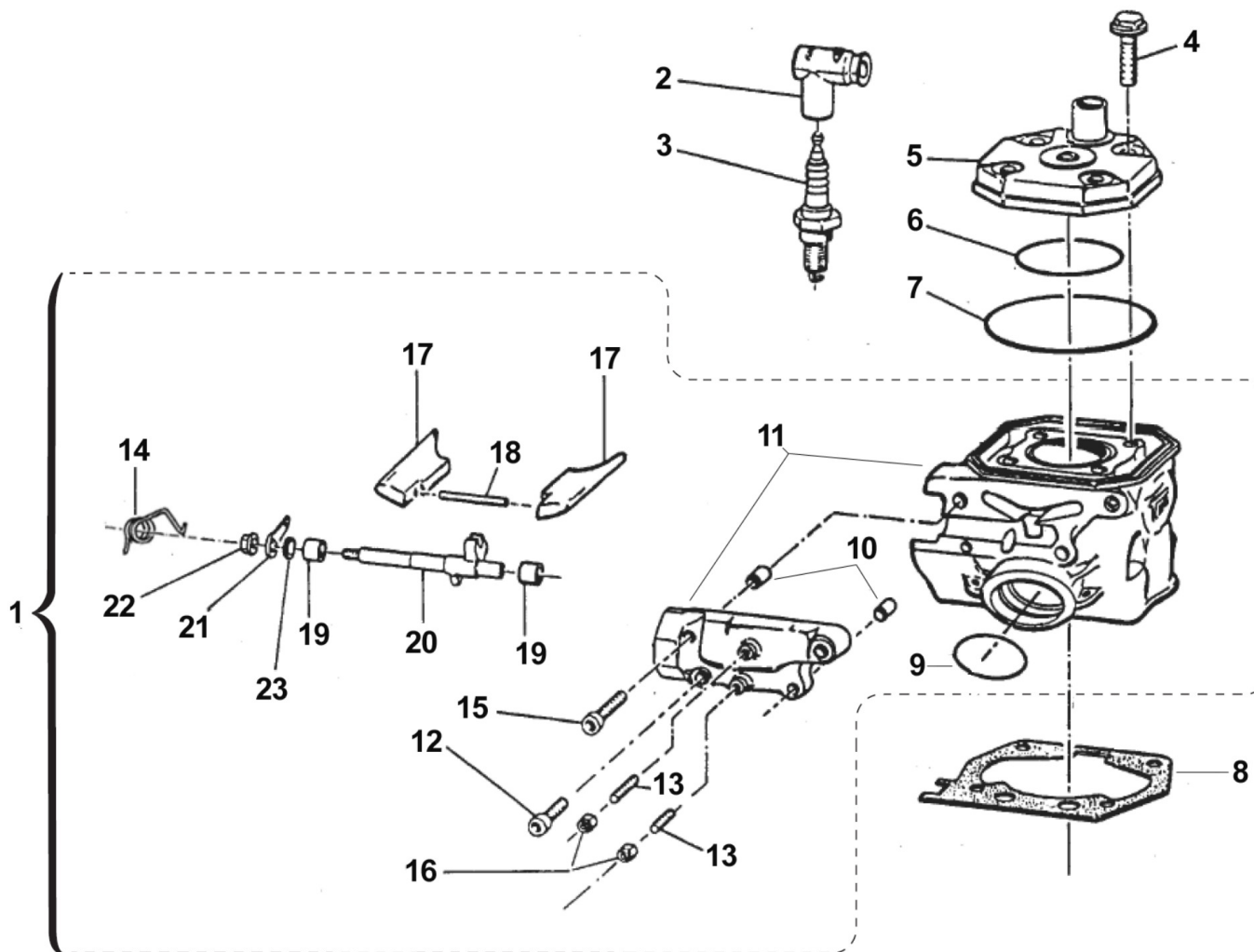
Pos.	Codice	Q.tà	Note	Descrizione	Description
1	94088.26	1		KIT ADESIVI JUNIOR M.2026 S/P.POST	
2	94020.26	1		ADESIVO PARAF. ANT JUNIOR MY 2026	
3	94337.85	1		KIT AD. CIL. MX 85 JUNIOR MY26	
4	94337.100	1		KIT AD. CIL. MX 100 JUNIOR MY26	
5	94337.112	1		KIT AD. CIL. MX 112 JUNIOR MY26	



2T85MXJ26
2T 85 MX JUNIOR - 2S 85 MX JUNIOR

CILINDRO
CYLINDER

1



TM85-001.1



2T85MXJ26
2T 85 MX JUNIOR - 2S 85 MX JUNIOR

CILINDRO
CYLINDER

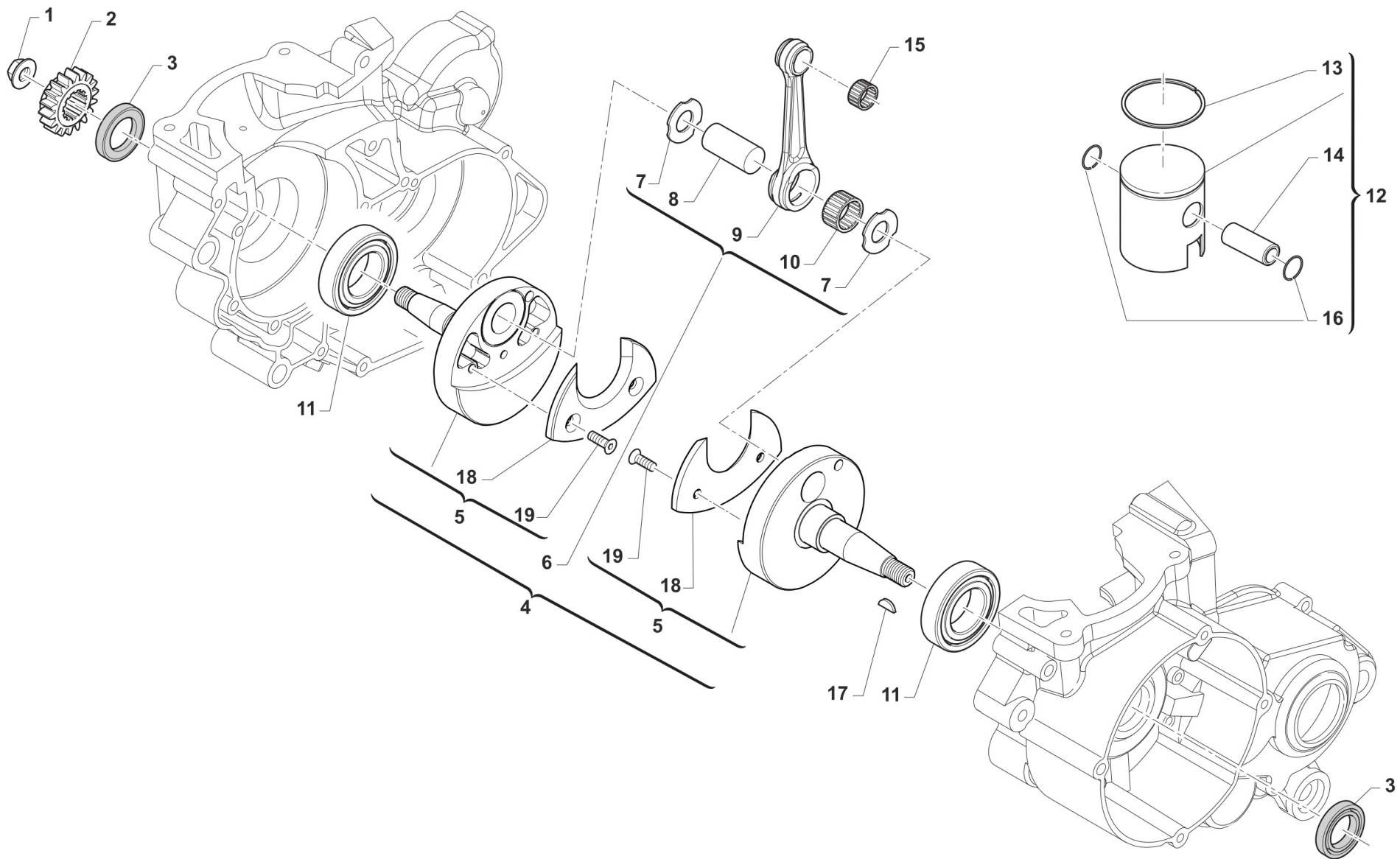
1

Pos.	Codice	Q.tà	Note	Descrizione	Description
1	01093.25	1		CILINDRO 85 CR/E 2025 CPL	
2	21087	1		PIPETTA CANDELA SILICONE SCHERMATO 5K	
3	06028	1		CANDELA NGK BR9ECMIX	SPARK PLUG NGK BR9ECMIX 85cc J
4	49335	4		VITE TE/FLANG. 8X35	BOLT 8X35 FLANGED
5	02085.13	1		TESTA 85 CR/E MOD. 13/->	HEAD 85cc MX/E M. 13->
6	12005	1		O RING TESTA 85cc PICC. 91/->	O-RING, 56,08 X 1,87
6	12005.1	1		O RING INTER.TESTA 85cc VITON	O-RING HEAD 85 VITON
7	12011	1		O RING CIL.80/85 ESTERNO 03	O-RING, EXTERNAL CYL.80/85cc
8	05519	1		GUARN. B/C 80/85 M.91/-> 0,2	GASKET, CYL 85cc M.91/07 0,20
8	05519.05	1		GUARN. B/C 80/85 M.91/-> 0,05	GASKET, CYL.85cc M.91-> 0,05
8	05520	1		GUARN. B/C 80/85 M.91/-> 0,3	GASKET, CYL 85cc M.91/-> 0,30
8	05521	1		GUARN. B/C 80/85 M.91/-> 0,4	GASKET, CYL 85cc M.91/07 0,40
8	05522	1		GUARN. B/C 80/85 M.91/-> 0,5	GASKET, CYL 85cc M.91/09 0,50
9	12015	1		O RING SCAR.80cc91/02+BOC.CARB	O-RING, EXHAUST 80cc M.91/02
10	26041	2		GRANO CENTRAGGIO D.7X8 F.5,2	DOWEL PIN 7 x 8 Hole 5,2
11	01092.25	1		CILINDRO 85 CR/E 2025 NUDO	
12	49474	2		VITE TCEI 5X16 UNI 5931	BOLT TCEI 5X16
13	49705	2		GRANO 5X25 VALV.SC.125 SOPRA	GRUB SCREW 5 X 25
14	16057	1		MOLLA ALBERINO VALV.85 M13 1.5	SPRING EXH.VALVE SHAFT 85cc1,5
15	49476	2		VITE TCEI 5X20 UNI 5931-912	BOLT TCEI 5X20
16	49633	2		DADO M 5 BASSO AUTOBLOCCANTE	NUT 5mm, LOW SELF-LOCKING
17	22094	1		VALVOLA DI SCARICO GHIGLIOTTINA 85 CC MY 25 CPL	
18	19009	1		RULLINO 4X34.8 V.SC.125 97/01	PIN 4X34,8 EXH.VALVE 125 97/01
19	19045	2		ASTUCCIO A RULLI HK 0810	NEEDLE BUSH HK 0810
20	28026	1		ALBERINO COM VAL.125/250 99/11	SHAFT P.VALVE 125/250 M. 99/05
21	28039	1		PIASTRINO SUP.V 80/125 99/06 250 97/05	UP PLATE, VALVE 80/125 99/06
22	49701	1		DADO M 5 FLANGIATO VALV.	NUT 5mm, FLANGED VALV.
23	04006	1		PARAOILIO VALV.SCARIC.G.8x12x3	OIL SEAL 8 x 12 x 3



2T85MXJ26
2T 85 MX JUNIOR - 2S 85 MX JUNIOR

ALBERO MOTORE 20 - PISTONE
CRANKSHAFT 20 - PISTON



TM0173



2T85MXJ26
2T 85 MX JUNIOR - 2S 85 MX JUNIOR

ALBERO MOTORE 20 - PISTONE
CRANKSHAFT 20 - PISTON

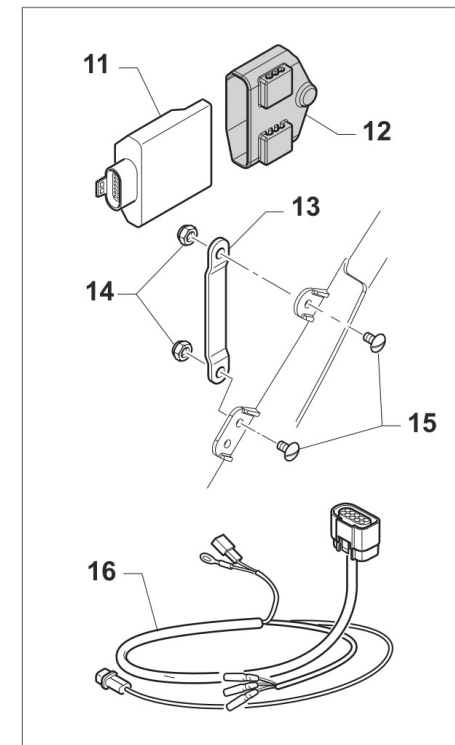
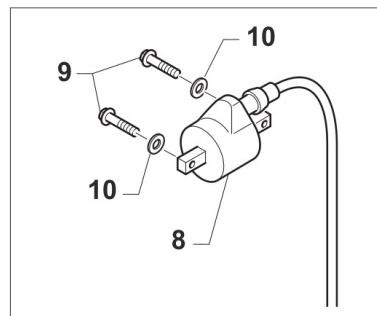
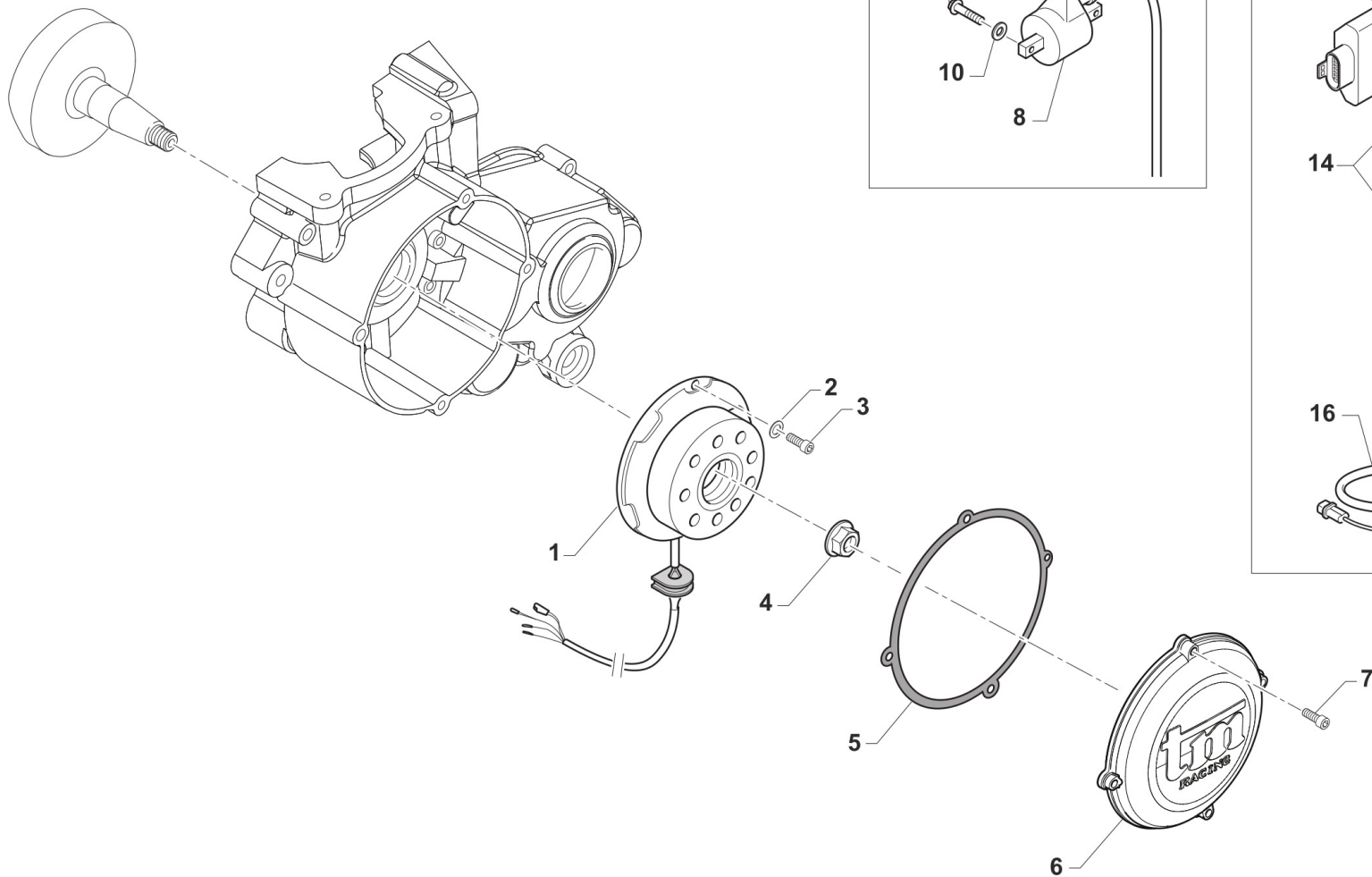
2

Pos.	Codice	Q.tà	Note	Descrizione	Description
1	49056	1		DADO ACCENSIONE MX/E 12 x 1.25	NUT, IGNITION 100cc
2	40055	1		PIGNONE COPPIA PRIM.Z15 80 M06	PRIMARY DRIVE GEAR 15T 80 M.06
3	04035	2		PARAOLIO 20x30x7 PTFE	OIL SEAL 20 x 30 x 7 PTFE
4	18285	1		ALBERO MOTORE CPL 85/100 USA 20MM	
5	18284	1		COPPIA SEMIALBERI 85/100 USA 20MM	
6	18148	1		BIELLA 85cc D.20 USA CPL	
7	18061	2		RONDELLA ARGENTATA D.20X34X1	WASHER, SILVER ID.20
8	18271	1		ASSE ACCOP. 20 X 48 FORO 5 [85/112 CC]	CON-ROD PIN 20 X 48 H. 5mm
9	18131	1		BIELLA 85cc 2019 ASSE D.20mm L.95 NUDA	
10	17020	1		GABBIA ARGENTATA D. 20 IKO	SILVER CAGE D.20
11	03020	2		CUSCINETTO RULLI NJ205ET2XC3 (BANCO 85/100 M.18)	BUSH CRANKSHAFT 85/100->18 NJ205ET2XC3
12	10174.87	1		PISTONE 47.87 85cc M.2014 CPL	PISTON 47.87 85cc M.14->
12	10174.88	1		PISTONE 47.88 85cc M.2014 CPL	PISTON 47.88 85cc M.14->
12	10174.89	1		PISTONE 47.89 85cc M.2014 CPL	PISTON 47.89 85cc M.14->
13	11093	1		SEGMENTO 47,95 CR 85cc M.91->	PISTON RING D.47,95 85cc 91/13
14	09003	1		SPINOTTO PISTONE 80/85 M.91/07	PISTON PIN 80/85/100cc M.91/06
15	19030	1		GABBIA SPINOTTO 80 - 85 - 100 cc	TOP END B. 80cc 85cc 100cc
16	09006	2		ANELLINO FERMA SPINOTTO 80/85/100	CLIP, PISTON PIN 80/85/100cc
17	49010	1		CHIAVETTA VOLANO 13x5x3	WOODRUFF KEY
18	18134.3	2		GUANCETTA AL SEMIALBERO 85/100 BIELLA 20 MY 2019	
19	49403U	4		VITE TSEI 6x12 UNBRAK UNI 5933	BOLT TSEI 6X12 UMB.



2T85MXJ26
2T 85 MX JUNIOR - 2S 85 MX JUNIOR

ACCENSIONE IGNITION





2T85MXJ26
2T 85 MX JUNIOR - 2S 85 MX JUNIOR

ACCENSIONE
IGNITION

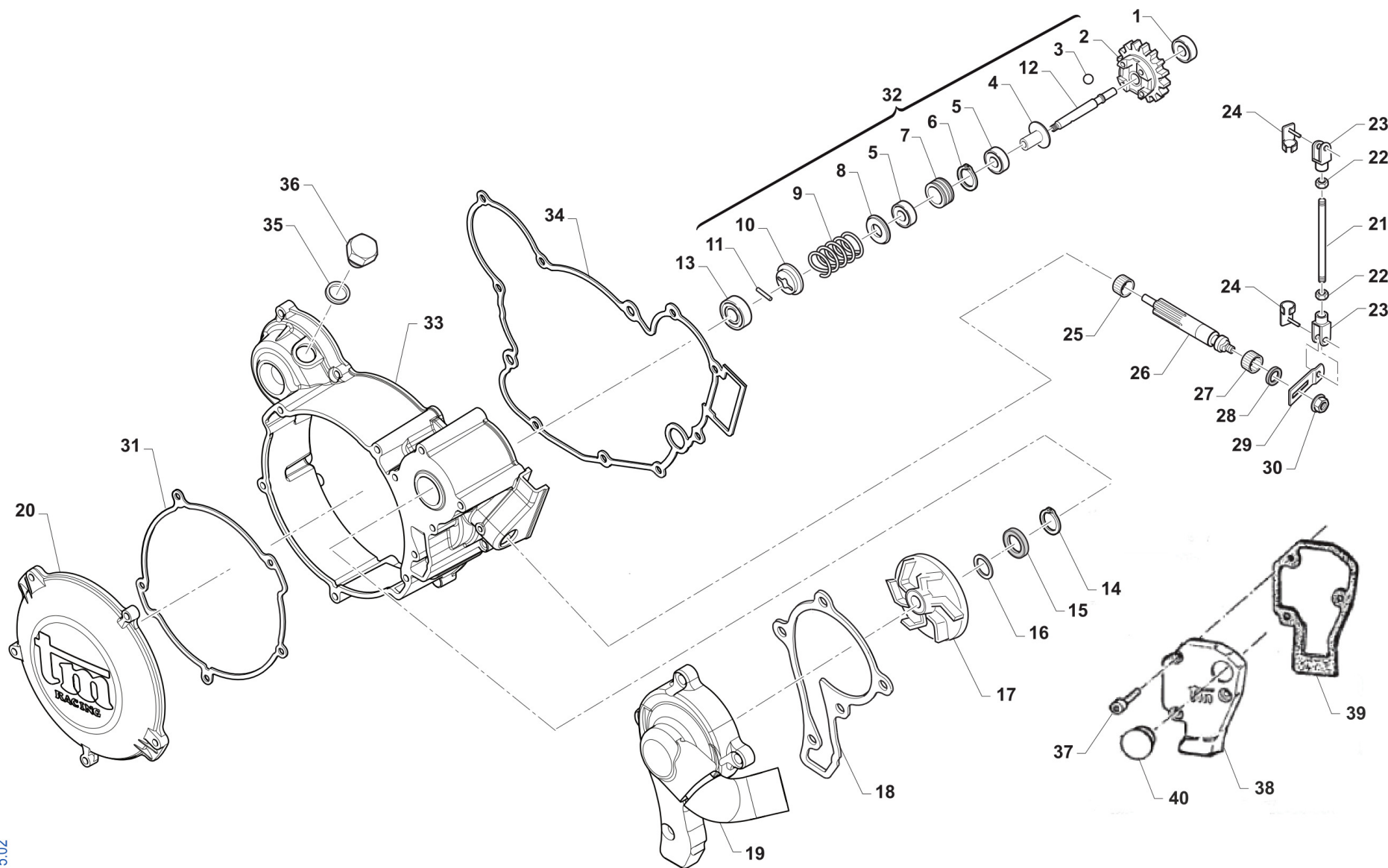
3

Pos.	Codice	Q.tà	Note	Descrizione	Description
1	15230	1		GENERATORE KOK END 11 MX/E 12	GENERATOR KOK END 11 MX/E 12->
2	49902	2		RONDELLA 6,5X13X3	
3	49484	2		VITE TCEI 6X20	BOLT TCEI 6X20
4	49056	1		DADO ACCENSIONE MX/E 12 x 1.25	NUT, IGNITION 100cc
5	05516	1		GUARN. COP.ACC. 80/125 KOKUSAN	GASKET, KOK.IGNIT.COV. 80/125
6	30211	1		COP. ACC. MX 125/144 06/11 E11	COVER, IGNITION MX 80/125 2006 KOK.
7	49477	4		VITE TCEI 5X25 UNI 5931-912	BOLT TCEI 5X25
8	15206	1		BOBINA KOKUSAN PIC. 2T IG7112	COIL, KOKUSAN 2 STROKE IG7112
9	49357	2		VITE TE F/R 6X25 Ch.8	BOLT 6X25 T.8
10	49603	2		RONDELLA M 6,4 X 12 X 1,6	WASHER 6x12
11	15209.085001	1		CENTRALINA TMEES IG_MX 85_01	ECU TMEES IG_MX 85_01
12	F15562	1		SUPPORTO CENTRALINA KOKUSAN	HOLDER ECU KOKUSAN
13	F26537	1		PIASTR.FISS.SUP.ECU KOK.F15562	PLATE HOLDER UCU KOKUS. F15562
14	49633	2		DADO M 5 BASSO AUTOBLOCCANTE	NUT 5mm, LOW SELF-LOCKING
15	49317	2		VITE TB LARGA 5X10 LAT.SERB.94	BOLT TB LARGE 5X10
16	68120	1		CABLAGGIO CDI KOK 2T 08/10	WIRE ECU KOKUSAN 2S 08/10



2T85MXJ26
2T 85 MX JUNIOR - 2S 85 MX JUNIOR

CENTRIFUGA E CARTER FRIZIONE WATER PUMP - CLUTCH COVERS



0175.02



2T85MXJ26
2T 85 MX JUNIOR - 2S 85 MX JUNIOR

CENTRIFUGA E CARTER FRIZIONE
WATER PUMP - CLUTCH COVERS

4

Pos.	Codice	Q.tà	Note	Descrizione	Description
1	03025	1		CUSCINETTO 626 C3 POMPA H2O 06	BUSH, WATER PUMP 626 C3
2	40056	1		INGR. VALVOLA CENTRIF. 85 2006	EXHAUST VALVE GEAR 80cc M.06
3	19054	4		SFERA D.12	BALL DIAM. 12 mm
4	40065	1		BUSSOLA PER CENTRIFUGA 10/11	SPIN BUSH 10/11
5	03028	2		CUSCINETTO 61901 MODIFIC 10/11	BUSH, 61901
6	49263	1		SEEGER I 24	SEEGER I 24
7	40059	1		RUOTA DENTATA CENTRIFUGA 10/11	GEAR SPIN WHEEL 10/11
8	48031	1		RONDELLA GUIDA MOLLA ANT.2010	WASHER, SPRING, FRONT
9	16081	1		MOLLA CENTRIFUGA JUNIOR F2.6 X D EST28.7 X LL21	
10	48024	1		RONDELLA GUIDA MOLLA PST.06(2)	WASHER, SPRING, REAR
11	F19503	1		RULLINO D.3 X 13.8	PIN D.3 X 13,8 F.S.
12	28004	1		ALBERINO POMPA E CENTR.2006	SHAFT, WATERPUMP 2006
13	03014	1		CUSCINETTO 608 ZC3 POMPA SCHER	BUSH, WATER PUMP 608 Z C3
14	49215	1		SEEGER I22 POMPA ACQUA	CIRCLIP D.22 WATER PUMP
15	04017	1		PARAOLIO CENTRIFUGA 06	OIL SEAL 8 X 22 X 7 TC
16	49689	1		RONDELLA 6 X 12 SP. 1.2	WASHER 6x12 sp. 1,2
17	28009	1		GIRANTE POMPA ACQUA 2006/08	IMPELLER, WATER PUMP M.06/->
18	05528	1		GUARN. POMPA ACQUA 125 2006	GASKET WATER PUMP 125cc 2006
19	30194.06	1		COPERCHIO POMPA H2O CR/E 06/->	WATER PUMP COVER MX/E M.2006
20	30187	1		COPERCHIETTO FRIZ. 125 M.2006	COVER, CLUTCH, EXT. 125 06/->
21	28029	1		ASTINA VALVOLA 125 CR/E 93/05	ROD, POWER VALVE 125 M. 93/05
22	49630	2		DADO M 4 (BASSO)	NUT 4mm, LOW
23	49041	2		FORCHETTINA M4 X VALVOLA SC.	FORK, POWER VALVE ROD
24	49042	2		MOLLA BLOCCA FORCHETTINA M4	SPRING, POWER VALVE FORK M4
25	19048	1		ASTUCCIO A RULLI HK 0608	NEEDLE CAGE HK 0608
26	28005	1		ALBERINO COM. VALVOLA SC.06/10	SHAFT, INLET VALVE 2006
27	19044	1		GABBIA A RULLI FRENO POST.	NEEDLE BUSH REAR BRAKE PEDAL
28	F04354	1		PARAOLIO G 12X16X3 POMPA OLIO	OIL SEAL G 12/13/3 OIL PUMP



2T85MXJ26
2T 85 MX JUNIOR - 2S 85 MX JUNIOR

CENTRIFUGA E CARTER FRIZIONE
WATER PUMP - CLUTCH COVERS

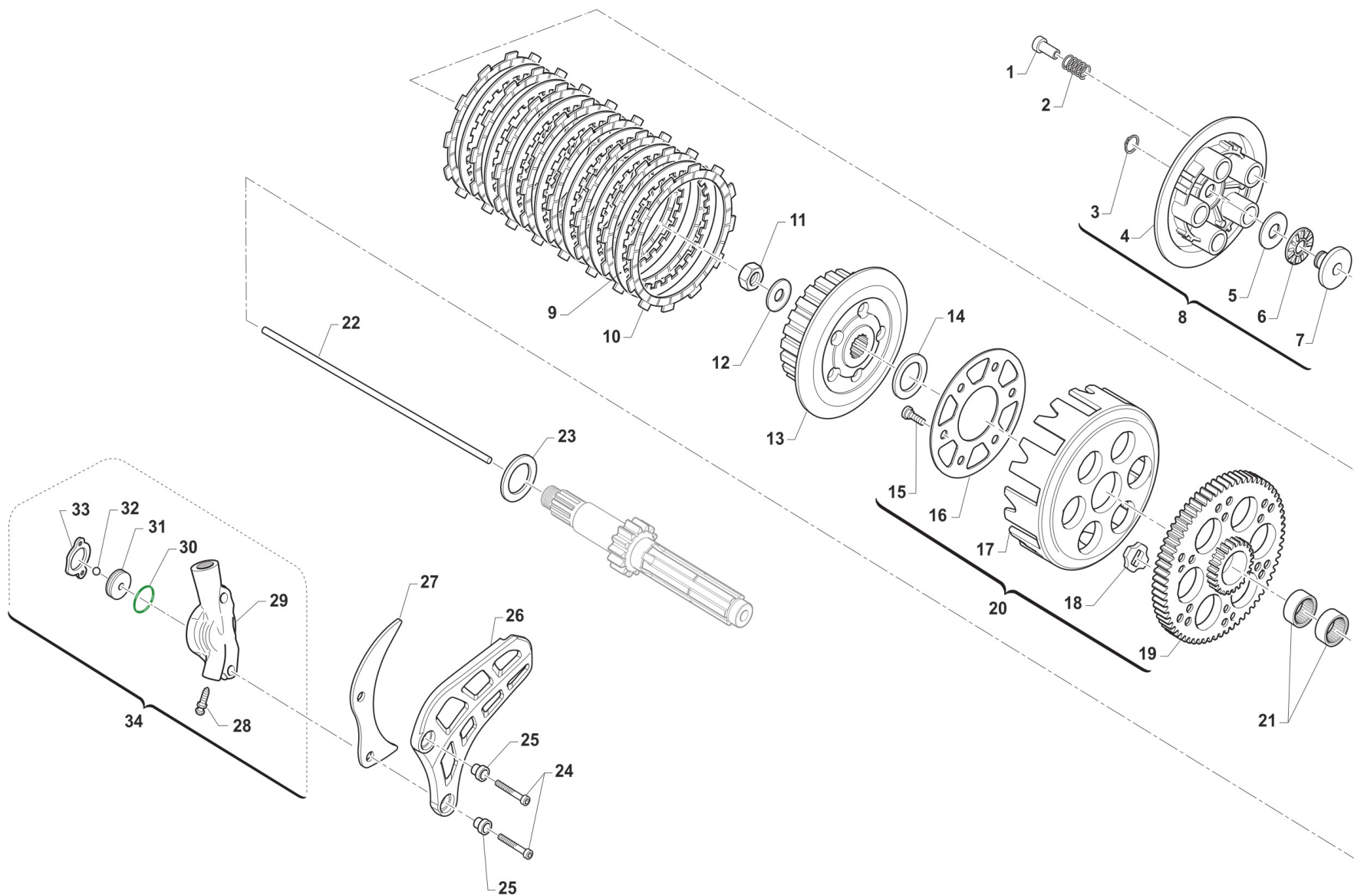
4

Pos.	Codice	Q.tà	Note	Descrizione	Description
29	28043	1		PIASTRINO INF. VALV. 125/2006	VALVE LOW PLATE 125/2006
30	49701	1		DADO M 5 FLANGIATO VALV.	NUT 5mm, FLANGED VALV.
31	05526	1		GUARN. COP.FRIZ. EST.125 06/->	GASKET, EXT.CLUTCH COVER 125/6
32	28004.2	1		ALBERINO POMP.CENTR 85 CPL 2025 con molla 16081	
33	30186	1		CARTER FRIZIONE 125 M.06/11	COVER, INT CLUTCH 125 M.06/11
34	05527	1		GUARN. COP.FRIZ. INT.125 06/->	GASKET, CLUTCH CASE 125 06/->
35	49103	1		RONDELLA 14X20X1,5 ALLUMINIO	WASHER, 14 X 20 X 1.5 ALUMINUM
36	49300	1		TAPPO CARICO OLIO	OIL PLUG, FILL
37	49474	3		VITE TCEI 5X16 UNI 5931	BOLT TCEI 5X16
38	30201.02	1		COPERCHIETTO LEV.VALV.C/E80 02	EXT. VALVES COVER MX/END.80 02
39	05514.1	1		GUARN. COP.LEVERAG.80/85 M.02	GASKET, POWER VALVE 85 M.02/09
40	21009	1		TAPPO GOMMA COPERCHIO VALV.SC.	RUBBER, COVER



2T85MXJ26
2T 85 MX JUNIOR - 2S 85 MX JUNIOR

FRIZIONE
CLUTCH



TM0174



2T85MXJ26
2T 85 MX JUNIOR - 2S 85 MX JUNIOR

FRIZIONE
CLUTCH

5

Pos.	Codice	Q.tà	Note	Descrizione	Description
1	49058	5		DADO FRIZIONE ERGAL 85CC 2014	NUT, CLUTCH 85cc ERGAL 14->
2	16020	5		MOLLA FRIZIONE 125 C/E 03/08BA	SPRING, CLUTCH 125 MX/E 03/->
3	49211	1		SEEGER E10x1 ANELLO PIATT.REG.	CIRCLIP D.8,4 - EXTERNAL
4	35015	1		PIATTO SPINGIDISCO FRIZIONE 85/100/112/125/144	PLATE, CLUTCH PRESS.125 97/02
5	19021	1		RONDELLA X GABBIA RULLI AS1024	WASHER, NEEDLE CAGE AS 1024
6	19020	1		GABBIA A RULLI RAD. AXK 1024	NEEDLE CAGE AXK 1024, RADIAL
7	26001	1		REGGISPINTA FRIZIONE	CLUTCH THRUST
8	35025	1		PIATTO SPING. FRIZIONE 85/100/112/125/144 CPL	PLATE, CLUTCH PRESSURE ASSY
9	35019	7		DISCO FRIZ. ACC. 1mm 99/05	CLUTCH PLATE, STEEL 1mm 99/05
10	35027	8		DISCO FRIZ. GUARN.CR/E 125 PRT	CLUTCH PLATE, FIBER 85/125 MX/E 93/-> ALTERNATIVE CODE FOR 35012
11	49052	1		DADO TAMBURELLO FRIZIONE	NUT, CLUTCH CENTER
12	49127	1		MOLLA A TAZZA DIN 2093 28X14,2X1,25	DISC SPRING DIN 2093 28x14,2x1,25
13	25099.14	1		TAMBURELLO FRIZIONE 125 2014	CLUTCH CENTRE 125cc M.14->
13	50124	1		CHIAVE FRIZ. 85/125 + KART CPL	CLUTCH TOOL 85/125cc + KART
14	48002	1		SPESSORE COP.PRIM.30X18X3	SPACER 30x18x3
15	49727	6		VITE PARASTRAPPI K9 M7X1X12.5	SCREW, M7X1X12,5 K9 ENGINE
16	35026	1		DISCO BATTUTA GOMM. FRIZ.KZ10B 85/125	DISC STOP RUBBERS CLUTCH KZ10B
17	25000	1		CAMPANA FRIZ.125 M.91/96 99/23	CLUTCH BASKET 125 91/96 99/05
18	21005	6		GOMMINO PARASTRAPPI FRIZIONE	RUBBER, CLUTCH BASKET
19	40400	1		COPPIA PRIM. 80/85 Z66	PRIMARY GEAR 66T, 80/85
20	40404	1		COPPIA PRIM. 80/85 Z66 CPL/CAM	PRIMARY GEAR 66T, 80/85 Comp.
21	19013	2		GABBIA A RULLI K 20X24X12	NEEDLE CAGE 20 X 24 X 12
22	35043	1		ASTINA FRIZ. IDR. 125 200,8 mm MY 99/->	ROD, HYDR.CLUTCH 125 M. 99/04
23	48003	1		SPESSORE COP.PRIM.30X20X2	SPACER 30X20X2 PRIMARY GEAR
24	49486	2		VITE TCEI 6X30 UNI 5931-912 YZPL	BOLT TCEI 6X30
25	26212	2		BOCCOLA PROT. PIGNONE 125 F.6	COLLAR, SPROCKET 125cc H.6
26	40029	1		PROTEZIONE PIGNONE 09/-> PLAST	PROTECTION FRONT SPROCKET09/13



2T85MXJ26
2T 85 MX JUNIOR - 2S 85 MX JUNIOR

FRIZIONE
CLUTCH

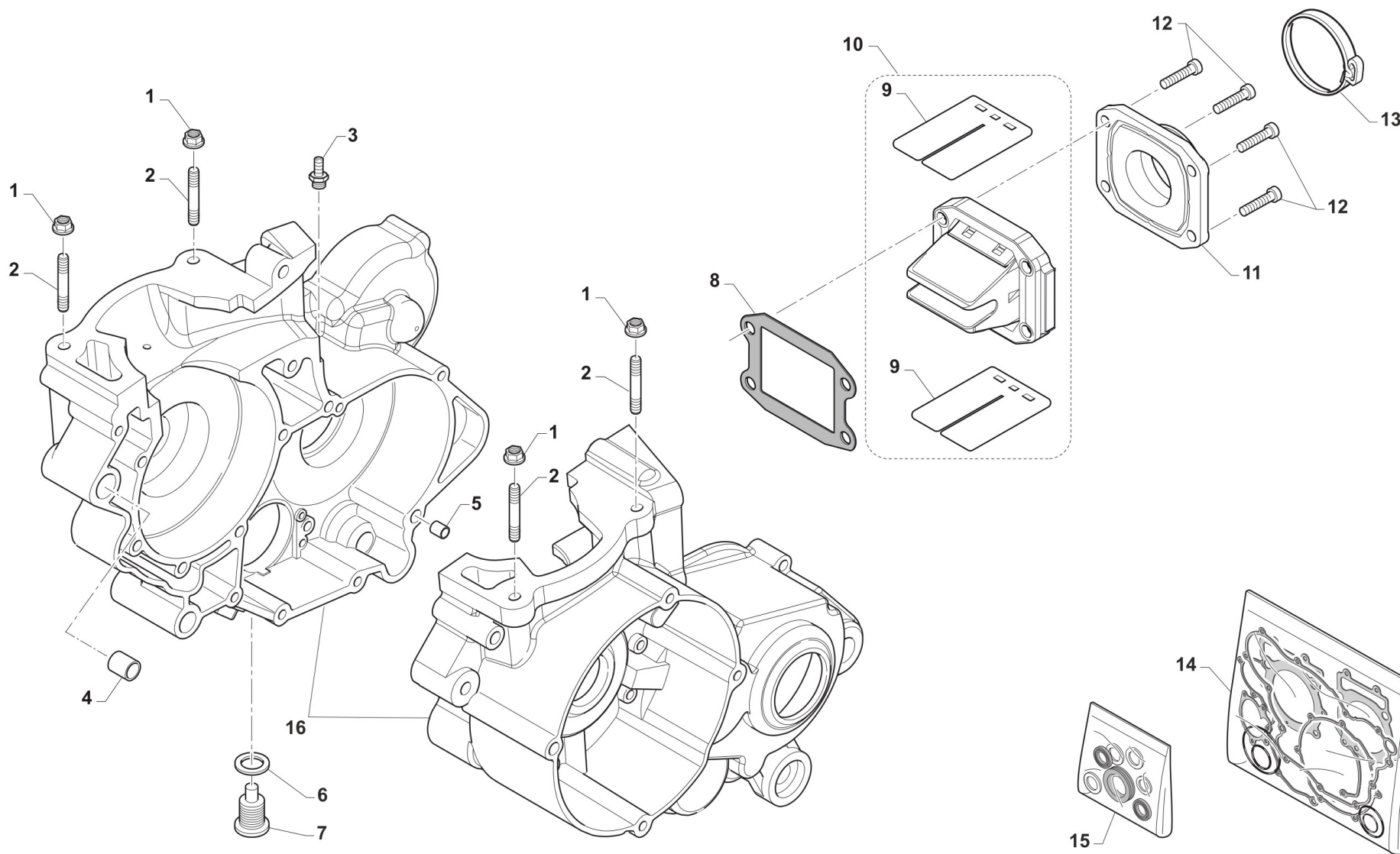
5

Pos.	Codice	Q.tà	Note	Descrizione	Description
27	40022	1		PROTEZIONE ERGAL PIGNONE CAT.	PROTECTION, GEAR CHAIN ERGAL
28	35264	1		VITE SPURGO OLIO FRIZ.IDR.6X1	SCREW AIR BLED HYDRAUL.CLUTCH
29	30205	1		COP. FRIZ/IDR 80/125 95/11 NUD	OUTPUT H.CLUTCH CYLINDER
30	12259	1		O RING PISTONE FR.125/250 VITON (Verde)	O-RING, CLUTCH PISTON 125/250
31	35125	1		PISTONE POMPA FRIZ. 125 95/->	PISTON, CLUTCH PUMP 125 95/04
32	19052	1		SFERA 8 X FRIZIONE 250 5/16"	BALL, IDR. CLUTCH PUMP
33	05509	1		GUARN. POMPA FRIZ.IDR. 80/125	GASKET, HYDRAULIC CLUTCH80/125
34	30206	1		COP. FRIZ/IDR 85/125 95/-> CPL	OUTPUT H.CLUTCH CYLINDER CPL.



2T85MXJ26
2T 85 MX JUNIOR - 2S 85 MX JUNIOR

BASAMENTO E PACCO
CASE AND REEDS BOX



TM0176



2T85MXJ26
2T 85 MX JUNIOR - 2S 85 MX JUNIOR

BASAMENTO E PACCO
CASE AND REEDS BOX

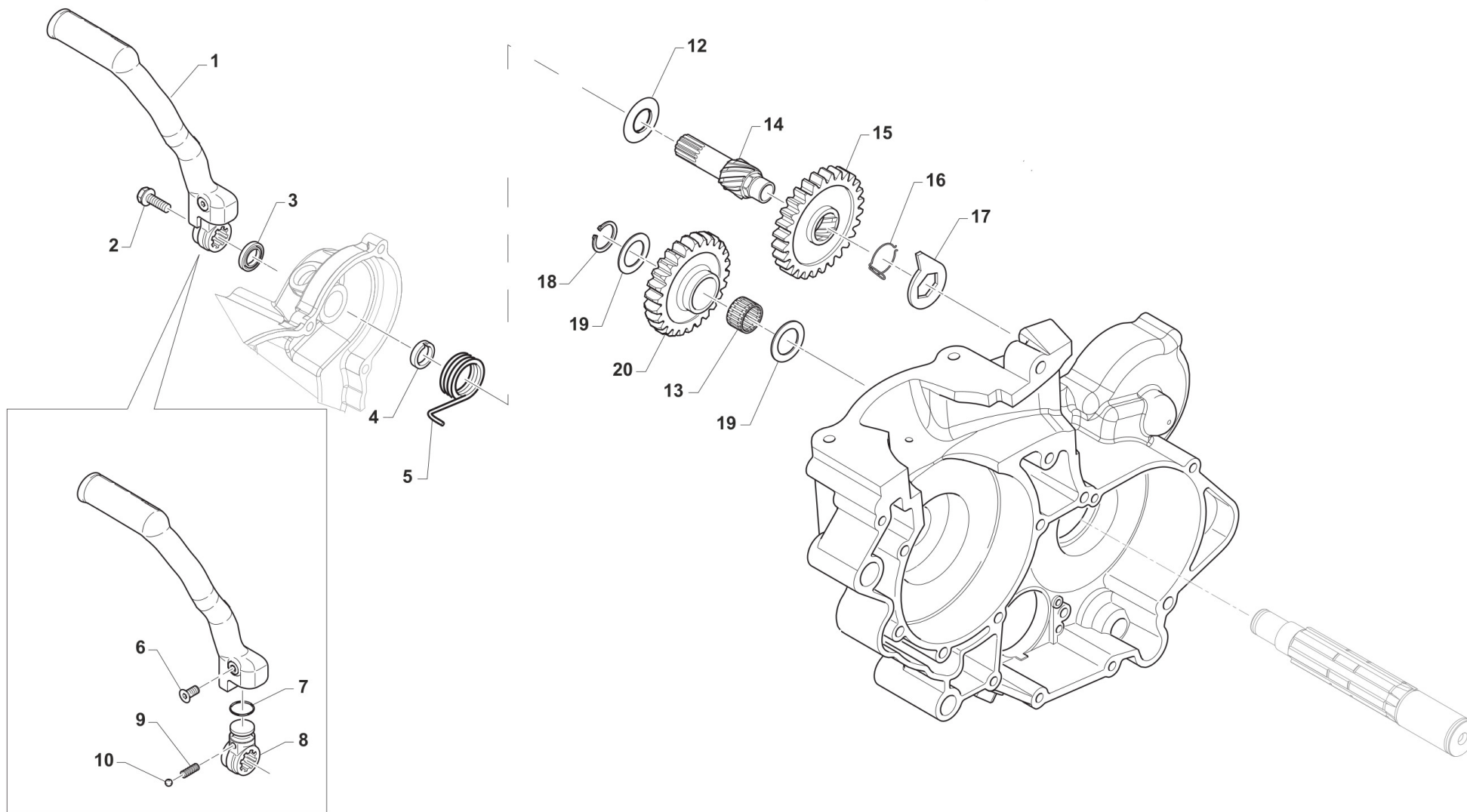
6

Pos.	Codice	Q.tà	Note	Descrizione	Description
1	49640	4		DADO M 8 FLANGIATO CHIAVE 12	NUT 8mm, FLANGE
2	49043	4		PRIGIONIERO CIL.M8X48,5 85/100	
3	49002	1		RACCORDO SFIATO VALV.MOT.F.D.3	FITTING VENT VALVE
4	26043	1		GRANO CARTER ANT. 14 X 14	GRUB SCREW 14X14
5	26044	1		GRANO CENTRAGGIO MOTOR.10X13,6	GRUB SCREW 10X13,6
6	49103	1		RONDELLA 14X20X1,5 ALLUMINIO	WASHER, 14 X 20 X 1.5 ALUMINUM
7	49301	1		TAPPO OLIO C/CALAM. 2T	OIL PLUG WITH MAGNET
8	05262	1		GUARN. PACCO LAMELLE 80/85	GASKET, REEDS VALVE 80/85cc
9	20075	1		LAMELLE V-FORCE3 85/100 08/->	REEDS, V-FORCE3 85/100 08/->
10	20084	1		PACCO LAMELLARE 85/100cc 2008 VF3	REEDS BOX 85/100 2S V-FORCE 3
11	13095	1		COLLETTORE ASP.80/85*13 KEI.28	INLET MANIFOLD 85 13-> KEIH.28
12	49484	4		VITE TCEI 6X20	BOLT TCEI 6X20
13	51063	1		FASCETTA SM9 D.40	CLAMP SM9 D.40mm
14	05616.07	1		KIT GUARN. 85/100 MOD. 07/->	GASKETS + OR 85/100 07/->
15	04037	1		KIT PARAOLI 85/100 MOD. 2016/2022	OIL SEAL 85 / 100 MY 18->
16	30025.16	1		BASAMENTO MOTORE 85cc MY 2016/2022 03004x2 o 03020 PARAOLI 04035x2	CRANKCASE ENGINE 85cc M16->



2T85MXJ26
2T 85 MX JUNIOR - 2S 85 MX JUNIOR

MESSA IN MOTO
KICK STARTER



0700



2T85MXJ26
2T 85 MX JUNIOR - 2S 85 MX JUNIOR

MESSA IN MOTO
KICK STARTER

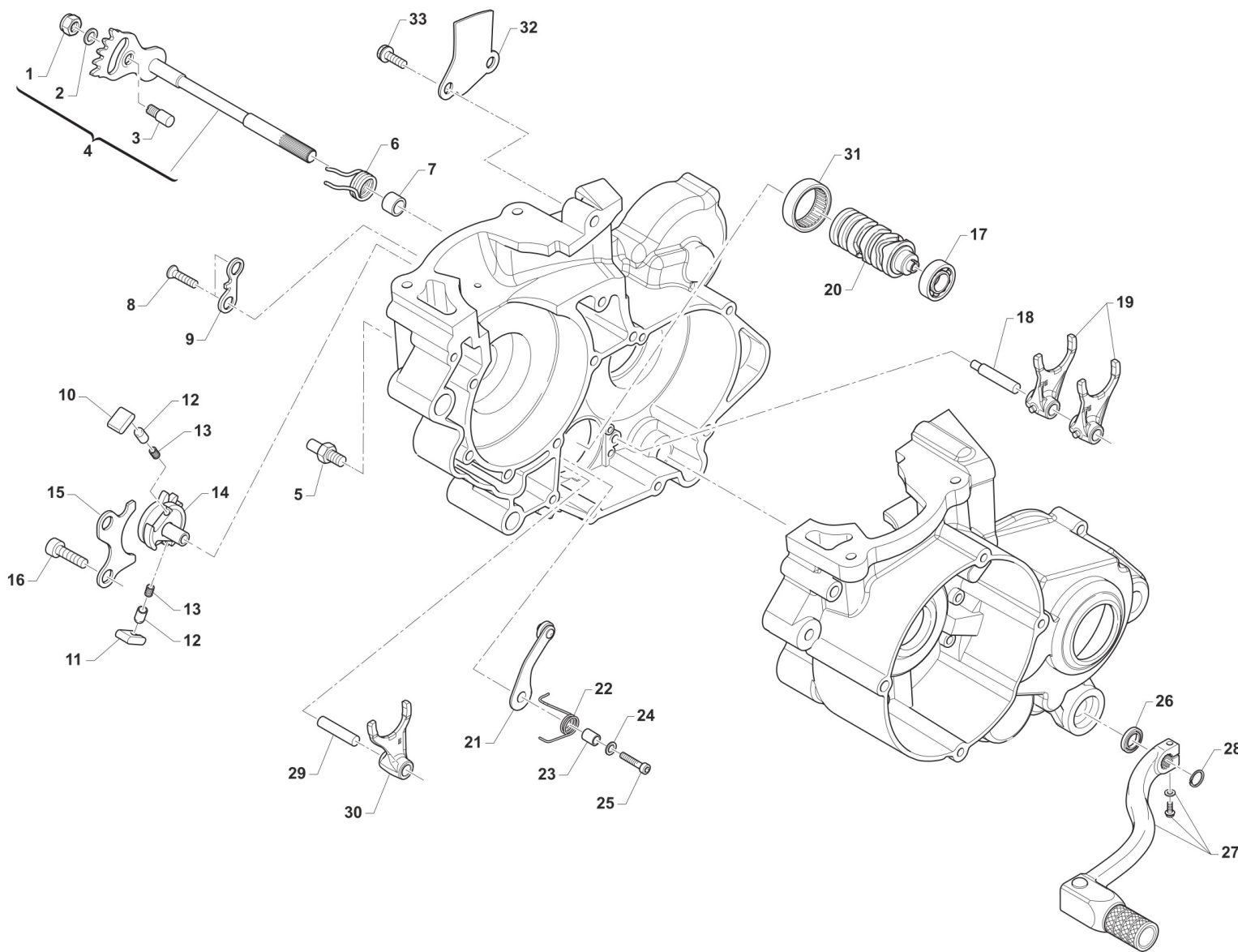
7

Pos.	Codice	Q.tà	Note	Descrizione	Description
1	43038	1		LEVA M/M 80/125 M. 99/->	LEVER, KICK STARTER 125 99/->
2	49368	1		VITE TE F/R 6X10 LEVA M/M	BOLT 6X10 (Kich Starter)
3	04005	1		PARAOLIO ALBERINO M/M 15x24x7	OIL SEAL 15 x 24 x 7
4	26005	1		DISTANZIALE MOLLA M/M	SPACER, KICK STARTER SPRING
5	16008	1		MOLLA M/M 80 / 125 / 144 cc	SPRING, KICK STARTER
6	49406	1		VITE TSEI 6X20	BOLT TSEI 6x20
7	12260	1		O RING INTERNO LEVA M/M 250	O-RING INT.LEVER KICK START250
8	43039.01	1		MOZZETTO KICK START 125 M. 96 ->	
9	16039	1		MOLLA X SFERA LEVA M/M 250 CC	SPRING, BALL KICK-START. 250cc
10	43250.03	1		SFERA 1/4C X LEVA M/M 250 CC	BALL, KICK STARTER LEVER 250cc
12	48008	1		RONDELLA ALBERO MESSA IN MOTO	WASHER, KICK STARTER SHAFT
13	19010	1		GABBIA A RULLI K 15X19X10	BUSH NEEDLE CAGE 15 X 19 X 10
14	28051	1		ALBERO MESSA IN MOTO 125/144 96/18	SHAFT, KICK STARTER 125 96/05
15	40350	1		INGRANAGGIO SCORREVOLE M/M 125 / 144	SLIDING GEAR, KICK STARTER 125
16	16006	1		MOLLA X INGRANAGGIO M/M	SPRING, KICKSTART SLIDING GEAR
17	26254	1		LEVA BATTUTA M/M 125/250 96/->	STOPPER, KICK STARTER
18	49214	1		SEEGER E15 INGRANAGGIO M/M	CIRCLIP GEAR K.S. 15mm
19	48004	2		SPESSORE INGRANAGGIO M/M	SPACER, K.STARTER GEAR
20	40351	1		INGRANAGGIO LIBERO M/M 125 / 144	GEAR, KICK STARTER 125



2T85MXJ26
2T 85 MX JUNIOR - 2S 85 MX JUNIOR

COMANDO CAMBIO
GEARSHIFT MECHANISM



0702



2T85MXJ26
2T 85 MX JUNIOR - 2S 85 MX JUNIOR

COMANDO CAMBIO
GEARSHIFT MECHANISM

Pos.	Codice	Q.tà	Note	Descrizione	Description
1	49638	1		DADO M 6 ALTO AUTOBLOCCANTE	NUT 6mm, HIGHT SELF-LOCKING
2	49603	1		RONDELLA M 6,4 X 12 X 1,6	WASHER 6x12
3	26050	1		BATTUTA ECCENTRICA	ADJUSTER SELECTOR SHAFT
4	28100	1		ALBERO COMANDO ING. P.TACRIC.	SHAFT, GEARSHIFT
5	26051	1		BATTUTA FISSA LEVA CAMBIO INT.	PIN INT. END STROKE GEAR LEVER
6	16009	1		MOLLA RITORNO LEVA CAMBIO 32CR	SPRING, RETURN GEAR LEVER 3,2
7	26006	1		DISTANZIALE MOLLA LEVA CAMBIO	SPACER, GEAR LEVER SPRING
8	49405	2		VITE TSEI 6X20 UMB.5933 10.9	BOLT TSEI 6x20 U.5933 10.9
9	26022	1		PIASTRINO FINE CORSA	PLATE END STROKE GEAR LEVER
10	26060	1		CRICCHETTO CAMBIO SUPERIORE	RATCHET UP, GEAR
11	26061	1		CRICCHETTO CAMBIO INFERIORE	RATCHET DOWN, GEAR
12	26062	2		PUNTALE PER CRICCHETTO CAMBIO	PIN, RATCHET GEAR
13	16012	2		MOLLA PER PUNTALE	SPRING, GEARBOX PIN
14	40310	1		INGRANAGGIO PORTACRICCHETTI	DRUM SHIFTER GEAR
15	26021	1		PIASTRINO RIENTRO CRICCHETTI	PLATE, RATCHET
16	49483	2		VITE TCEI 6X16 UNI 5931	BOLT TCEI 6X16
17	03012	1		CUSCINETTO DESMODROMICO 6001 2RS	BUSH, 6001 2RS GEAR DRUM
18	33256	1		PERNO FORCH.ALB.SEC. 250 / 125.99	AXEL, COUNTERSHAFT FORK 250cc
19	F33314	2		FORCHETTA A/S 125/250/300 CROM	SHIFT FORK SECONDARY 125/250CR
20	33004	1		ALBERO DESM.125 INTEGR. 6M CPL 125/144 6 M. CPL DI F26476	GEAR DRUM 125 6SP. 125/144 ASSY F26476
21	26063.12	1		PIASTRINO BLOCCAMARCE 2012 CPL	PLATE STOP GEAR ASSY M.12->
22	16252	1		MOLLA BLOCCAMARCE 125 / 250 2T	
23	26007	1		DISTANZIALE MOLLA BLOCCAMARCE	SPACER, STOP GEAR SPRING
25	49485	1		VITE TCEI 6X25 UNI 5931	BOLT TCEI 6x25
26	04004	1		PARAOLIO POMPA H2O-LEVA CAMBIO	OIL SEAL 12 x 22 x 5
27	43048	1		LEVA CAMBIO 2014 + 12MM (253) 85/125/144 2T 250Fi	GEAR LEVER 2014 +12mm (253)
28	49212	1		SEEGER E12 LEVA CAMBIO	CIRCLIP D.12 - EXTERNAL



2T85MXJ26
2T 85 MX JUNIOR - 2S 85 MX JUNIOR

COMANDO CAMBIO
GEARSHIFT MECHANISM

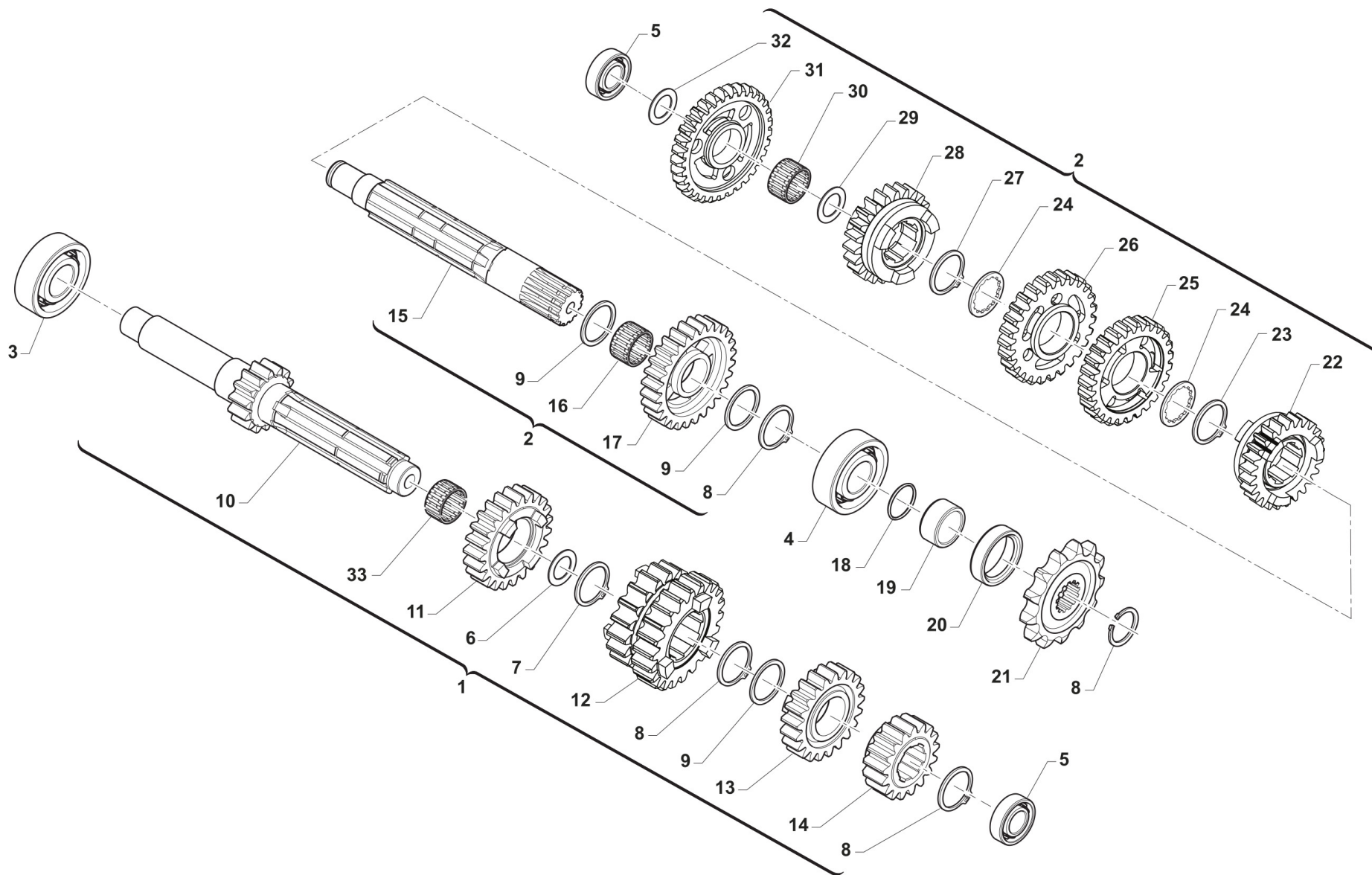
8

Pos.	Codice	Q.tà	Note	Descrizione	Description
29	33255	1		PERNO FORCH.ALB. PRIM.250 / 125.99	AXEL, MAINSHAFT FORK 250cc
30	33016	1		FORCHETTA ALB.PRIM.125 PRT.CRM	SHIFT FORK MAINSHAFT 125 CROM.
31	19041	1		ASTUCCIO A RULLI HK 35/12	BUSH NEEDLE CAGE DHK 35/12
32	26023	1		PIASTRINO CONVOGLIATORE OLIO	PLATE, OIL
33	49440	2		VITE TE 6X14	BOLT TE 6X14



2T85MXJ26
2T 85 MX JUNIOR - 2S 85 MX JUNIOR

CAMBIO
GEAR BOX



0703



2T85MXJ26
2T 85 MX JUNIOR - 2S 85 MX JUNIOR

CAMBIO
GEAR BOX

Pos.	Codice	Q.tà	Note	Descrizione	Description
1	40003	1		ALBERO PRIMARIO CPL 85/100 CC J/MX	PRIMARY ASHFT ASSY 85/100
2	40004	1		ALBERO SECONDARIO CPL 85/100 CC J/MX	SECONDARY SHAFT ASSY 85/100
3	03011	1		CUSCINETTO ALBERO PRIM. 6204 Z C3	BUSH, GEAR MAINSHAFT
4	03010	1		CUSCINETTO 6204 C3 PIG.CATENA	BUSH, COUNTERSHAFT / SPROCKET
5	03080	2		CUSCINETTO 6202 Z C3 (CON RIVETTI) CAMBIO	BUSH, CRAKSHAFT CLUTCH SIDE
6	48041	1		RASAMENTO A/P 27.5X21X1 KZ10B	SPACER, MAINSHAFT 27,5X21X1 KZ
7	49222	1		SEEGER E 21 mm	CIRCLIP D.21 - EXTERNAL
8	49216	4		SEEGER E20 PIGN.-CAMBIO-COPPIA	CIRCLIP D.20 - EXTERNAL
9	48013	3		RASAMENTO A/S 27X20X0,7	SPACER, 27x20x0,7
10	40713.85	1		ALBERO PRIMARIO Z 14 85CC RINF.CON SEDE SEEGER	PRIMA SHAFT 14T 85/100
11	40440	1		INGR. A.P. 5a Z 22 K9B/C 10 CR/E90	GEAR, 5TH (22T) MAINSHAFT
12	40432	1		INGR A.P. 3/4a Z 19/23	GEAR, 3/4TH (19-23T) MAINSHAFT
13	40451	1		INGR A.P. 6a Z 23	GEAR, 6TH (23T) MAINSHAFT
14	40423	1		INGR A.P. 2a Z 17	GEAR, 2ND (17T) MAINSHAFT
15	40460	1		ALBERO SECONDARIO	COUNTERSHAFT
16	19012	1		GABBIA A RULLI K 20X24X10	BUSH NEEDLE CAGE 20 X 24 X 10
17	40480	1		INGR A.S. 2a Z 29	GEAR, 2ND (29T) COUNTERSHAFT
18	12019	1		O RING PIGNONE CATENA	O-RING, DRIVE GEAR 2075
19	26002.1	1		DISTANZIALE PIGNONE (MOTO)	SPACER, MOTORCYCLE GEAR
20	04003	1		PARAOLIO PIGN.CATENA (26x37x7)	OIL SEAL 26 x 37 x 7
21	40014	1		PIGNONE Z 14 PASSO 1/2X5/16	SPROCKET 14T, DRIVE 1/2X5/16
21	40015	1		PIGNONE Z 15 PASSO 1/2X5/16	SPROCKET 15T, DRIVE 1/2X5/16
21	40016	1		PIGNONE Z 16 PASSO 1/2X5/16	SPROCKET 16T, DRIVE 1/2X5/16
21	40066.17	1		PIGNONE Z 17 P.1/2X5/16 CENTR. 85/100/112 SMX-J	SPROCKET 17T, DRIVE 1/2X5/16
22	40520	1		INGR A.S. 6a Z 23	GEAR, 6TH (23T) COUNTERSHAFT
23	49217	1		SEEGER E22 ANELLO ALB/S	CIRCLIP D.22 - COUNTERSHAFT
24	48011	2		RASAMENTO DENT.A/S 27X22X0,75	SPACER, 27x22x0,75
25	40500	1		INGR A.S. 4a Z 28	GEAR, 4TH (28T) COUNTERSHAFT



2T85MXJ26
2T 85 MX JUNIOR - 2S 85 MX JUNIOR

CAMBIO
GEAR BOX

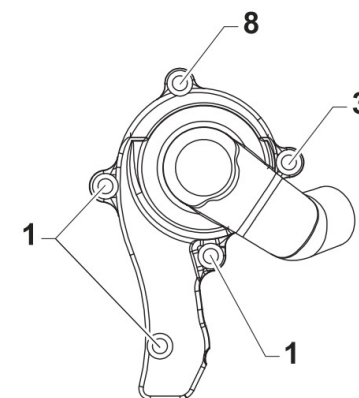
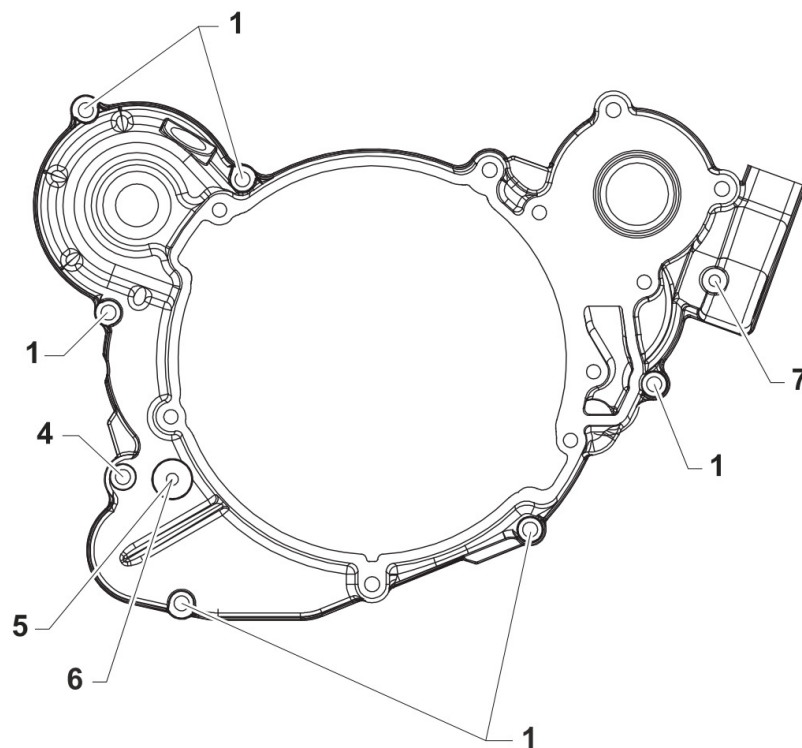
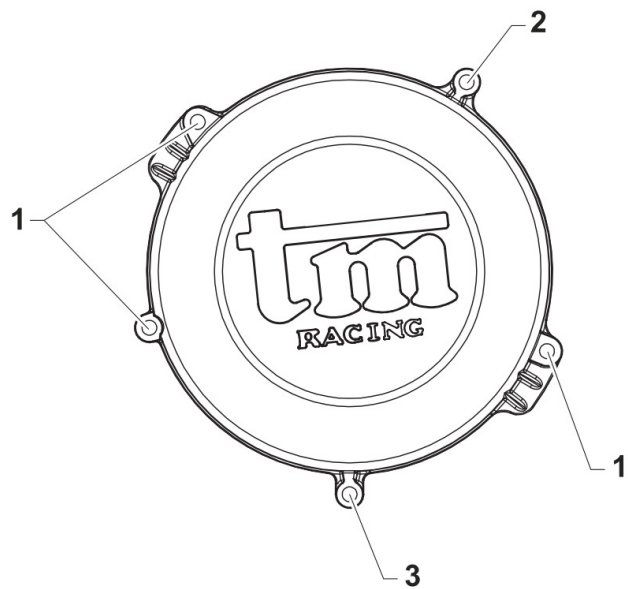
Pos.	Codice	Q.tà	Note	Descrizione	Description
26	40490	1		INGR A.S. 3a Z 27	GEAR, 3RD (27T) COUNTERSHAFT
27	49217.1	1		SEEGER RETTIFICATO PER 40510	SEEGER RING FOR CODE 40510
28	40510	1		INGR A.S. 5a Z 24 CR/E 90	GEAR, 5TH (24T) COUNTERSHAFT
29	48012	1		RASAMENTO A/S M/M SPESS.0,5	SPACER, 26x17x0,5
30	19011	1		GABBIA A RULLI K 17X21X10	BUSH CAGE 17 X 21 X 10
31	40470	1		INGRANAGGIO A.S. 1a Z 31 MX	GEAR 1St M X (31T) COUNTERSHAFT
32	48010	1		RASAMENTO ALB/S.28X15X0,5 INGI	SPACER, 28x15x0,5
33	19071	1		GABBIA A 20X24X10 IN DUE META'	NEEDLE CAGE 20X24X10 TWO PIEC.



2T85MXJ26
2T 85 MX JUNIOR - 2S 85 MX JUNIOR

VITI COPERCHI

10



0704



2T85MXJ26

2T 85 MX JUNIOR - 2S 85 MX JUNIOR

VITI COPERCHI

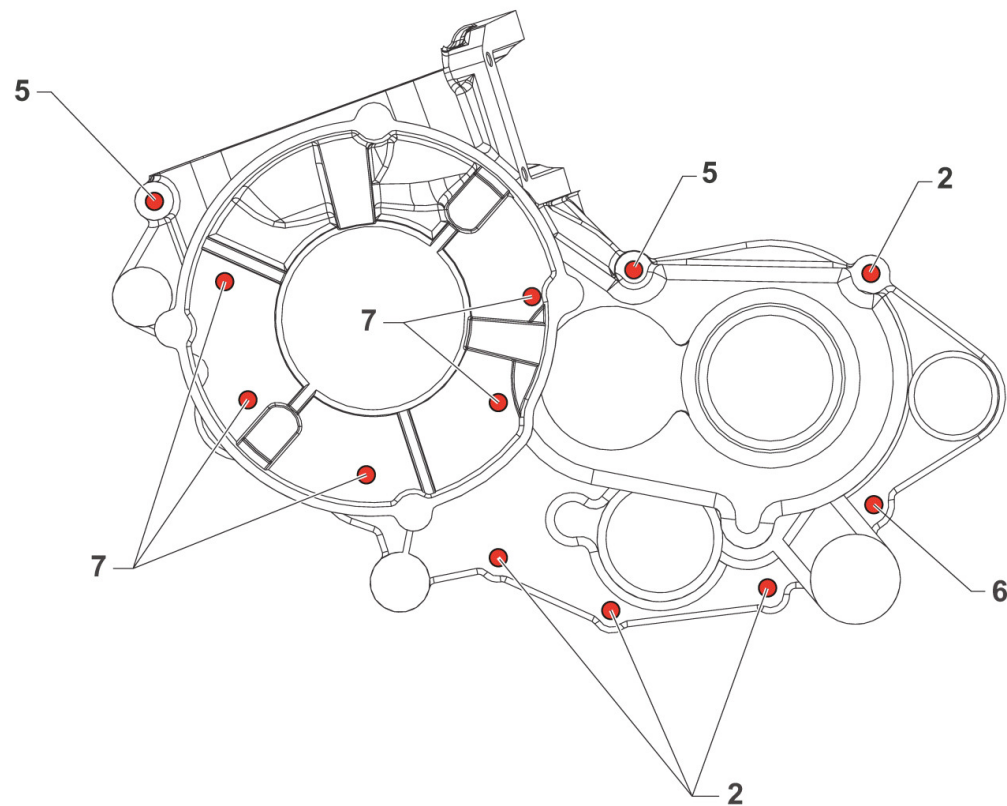
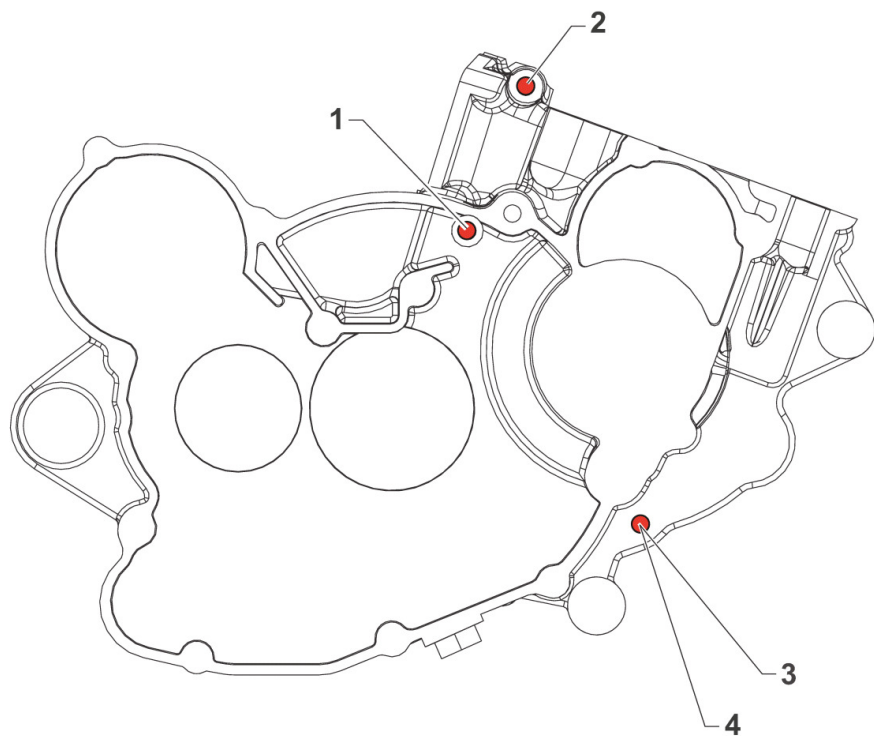
10

Pos.	Codice	Q.tà	Note	Descrizione	Description
1	49476	12		VITE TCEI 5X20 UNI 5931-912	BOLT TCEI 5X20
2	49563	1		VITE TCEI 6X85	SCREW TCEI 6X85
3	49595	2		VITE TCEI 5X80 UNI 5931-912 Brun	BOLT TCEI 5X80
4	49477	1		VITE TCEI 5X25 UNI 5931-912	BOLT TCEI 5X25
5	49542	1		VITE TCEI 5X10 UNI 5931	BOLT TCEI 5 X 10
6	49104	1		RONDELLA 6 x 10 x 1,5 ALLUMINIO	WASHER 6 x 10 x 1.5 ALUMINUM
7	49593	1		VITE TCEI 4X8 U.	BOLT TCEI 4X8 U.
8	49595	1		VITE TCEI 5X80 UNI 5931-912 Brun	BOLT TCEI 5X80



2T85MXJ26
2T 85 MX JUNIOR - 2S 85 MX JUNIOR

VITI BASAMENTO





2T85MXJ26

2T 85 MX JUNIOR - 2S 85 MX JUNIOR

VITI BASAMENTO

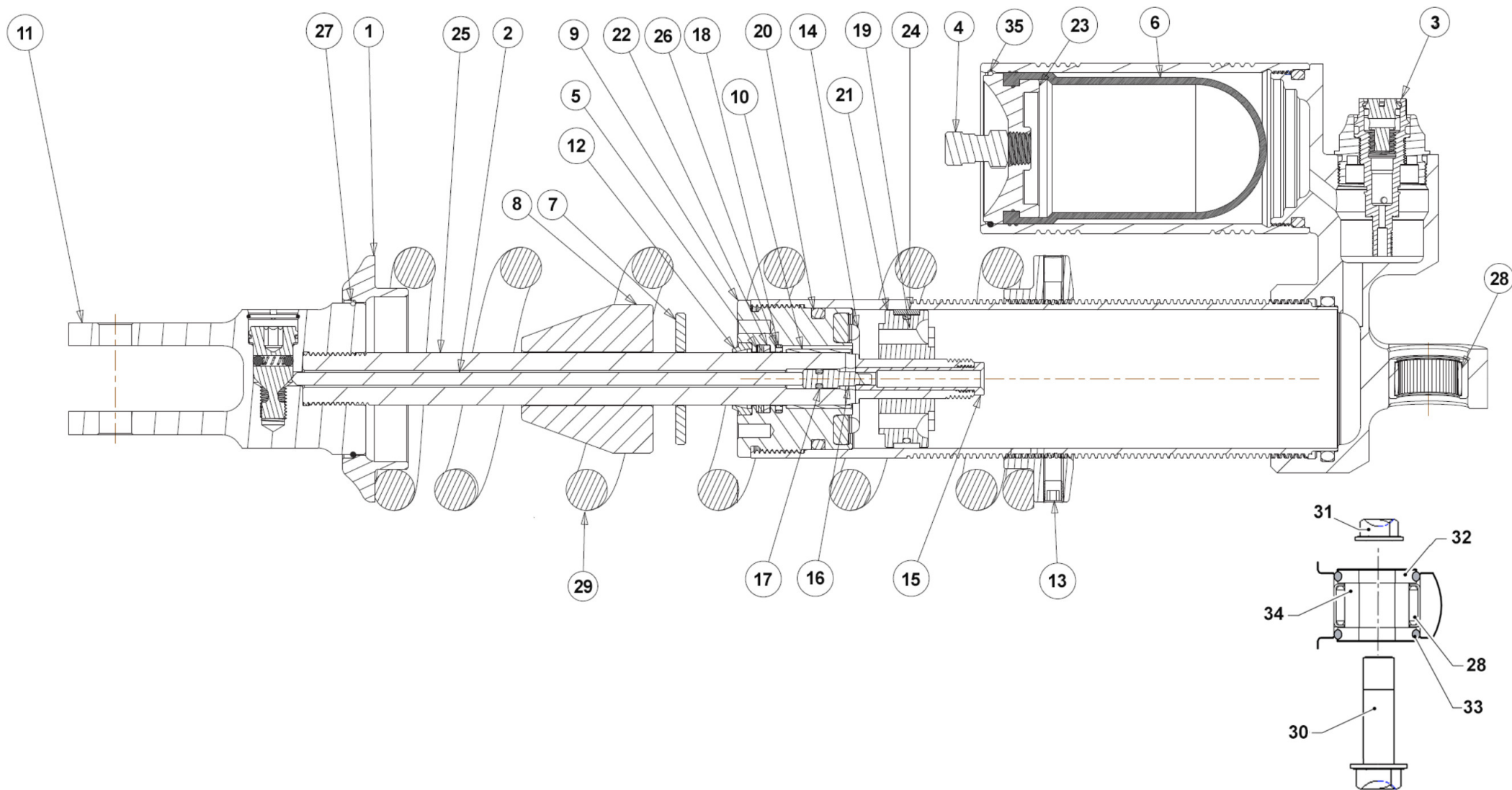
11

Pos.	Codice	Q.tà	Note	Descrizione	Description
1	49491	1		VITE TCEI 6X55	BOLT TCEI 6X55
2	49409	5		VITE TSEI 6X35	
3	49104	1		RONDELLA 6 x 10 x 1,5 ALLUMINIO	WASHER 6 x 10 x 1.5 ALUMINUM
4	49480	1		VITE TCEI 6X10 UNI 5931	BOLT TCEI 6X10
5	49490	2		VITE TCEI 6X50 UNI 5931	BOLT TCEI 6X50
6	49488	1		VITE TCEI 6X40	BOLT TCEI 6x40
7	49489	5		VITE TCEI 6X45 UNI 5931	BOLT TCEI 6x45



2T85MXJ26
2T 85 MX JUNIOR - 2S 85 MX JUNIOR

MONO EXTREME 85/100 JUNIOR
SHOCK ABSORBER





2T85MXJ26
2T 85 MX JUNIOR - 2S 85 MX JUNIOR

MONO EXTREME 85/100 JUNIOR
SHOCK ABSORVER

3

Pos.	Codice	Q.tà	Note	Descrizione	Description
1	ND	1		NON DISPONIBILE	TEMPORARILY NOT AVAILABLE
2	72279	1		ADJUSTER - MONO 85J EXTREME AR0013A-170.4	
3	ND	1		NON DISPONIBILE	TEMPORARILY NOT AVAILABLE
4	ND	1		NON DISPONIBILE	TEMPORARILY NOT AVAILABLE
5	72170	1		BACK UP RING AMM. MINI	
6	72178	1		BLADDER AMMORT. MINI L.80	
7	72275	1		DROP NYLON BS0001A-40-16.5-3 - MONO 85j	
8	72190.15	1		TAMPONE FINE CORSA AMM. 85j	BUFFER END STROKE SHOCK ABS. 85 J.
9	72180	1		COVER AMMORT. MINI	
10	72171	1		DU BUSH AMM. MINI	
11	72271	1		FORCHETTA MONO EXTREME 85J (EY0175A)	FORK, BOTTOM, EXTREME SHOCK 85J
12	72172	1		SCREAPER DIAM 16 AMM. MINI	
13	ND	1		NON DISPONIBILE	TEMPORARILY NOT AVAILABLE
14	F72402	1		TAMPONE F.C. ESTENSIONE AMMORT.	
15	ND	1		NON DISPONIBILE	TEMPORARILY NOT AVAILABLE
16	ND	1		NON DISPONIBILE	TEMPORARILY NOT AVAILABLE
17	72182	1		ORING 006 AMMORT. MINI	O-RING 006 MONOSHOCK MINI
18	72173	1		ORING 017 AMMORT. MINI	
19	72174	1		ORING 028 AMMORT. MINI	
20	72189	1		ORING ORV221 AMMORT. MINI	
21	ND	1		NON DISPONIBILE	TEMPORARILY NOT AVAILABLE
22	72175	1		QUADRING AMMORT. MINI	
23	ND	1		NON DISPONIBILE	TEMPORARILY NOT AVAILABLE
24	72177	1		SLYDERING AMMORT. MINI	
25	ND	1		NON DISPONIBILE	TEMPORARILY NOT AVAILABLE
26	72176	1		STEP SEAL AMMORT. MINI	
27	ND	2		NON DISPONIBILE	TEMPORARILY NOT AVAILABLE
28	19101	1		GABBIA RULLINI DL 1812 KYU	BUSH NEEDLE CAGE DL 18/12



2T85MXJ26
2T 85 MX JUNIOR - 2S 85 MX JUNIOR

MONO EXTREME 85/100 JUNIOR
SHOCK ABSORBER

Pos.	Codice	Q.tà	Note	Descrizione	Description
29	72159	1		MOLLA MONO EXTREME J13 L.240 K 4.6	SPRING, RR SHOCK J13 K=4.6
29	72160	1		MOLLA MONO EX.TECH J13 K=4.8	SPRING, RR SHOCK J13 K=4.8
29	72164	1		MOLLA MONO EXTREME J13 L.240 K 4.5	SPRING, RR SHOCK J13 K=4.5
29	72168	1		MOLLA MONO EXTREME J13 L.240 K 4.3	SPRING, RR SHOCK J13 K=4.3
29	72253	1		MOLLA MONO EXTREME J13 L.240 K 4.0	SPRING, RR SHOCK J13 K=4.0
30	49792	1		VITE TE F/R 10X54 1.25 T.AL08	BOLT, M10X1.25X54 ALU.FRAME08
31	49681	1		DADO M 10 X 1,25 CH 14 FLANG. AUTOBLOCK	NUT M10x1,25 FLANGED SELF-LOCK
32	F26536	2		SPESSORE PER TESTINA AMM.RE TM	SPACER, TM SHOCK HEAD
33	12058	2		O RING TESTA AMMORTIZZATORE	O-RING SHOCK HEAD TM
34	73213	1		BOCCOLA 18 X 12.3 F.10 TRIANG. + MONO	BUSH, 18 X 12.3 X 5
35	ND	1		NON DISPONIBILE	TEMPORARILY NOT AVAILABLE



2T85MXJ26
2T 85 MX JUNIOR - 2S 85 MX JUNIOR

CARBURATORE KEIHIN PWK 28
CARBURETTOR KEIHIN PWK 28

4

Pos.	Codice	Q.tà	Note	Descrizione	Description
1	D24107.N5HF	1		SPILLO CONIC.KEIHIN N5HF PWK28	CONICAL NEEDLE KEIHIN N5HF PWK
1	D24107.N5HG	1		SPILLO CONIC.KEIHIN N5HG PWK28	CONICAL NEEDLE KEIHIN N5HG PWK
1	D24107.N5HH	1		SPILLO CONIC.KEIHIN N5HH PWK28	CONICAL NEEDLE KEIHIN N5HH PWK
2	ND	1		NON DISPONIBILE	TEMPORARILY NOT AVAILABLE
3	D24100.112	1		GETTO MASSIMO KEIHIN 112	
3	D24100.115	1		GETTO MASSIMO KEIHIN 115	
3	D24100.118	1		GETTO MASSIMO KEIHIN 118	
3	D24100.120	1		GETTO MASSIMO KEIHIN 120	MAIN JET KEIHIN 120
3	D24100.122	1		GETTO MASSIMO KEIHIN 122	MAIN JET KEIHIN 122
3	D24100.125	1		GETTO MASSIMO KEIHIN 125	MAIN JET KEIHIN 125
3	D24100.128	1		GETTO MASSIMO KEIHIN 128	MAIN JET KEIHIN 128
3	D24100.130	1		GETTO MASSIMO KEIHIN 130	MAIN JET KEIHIN 130
3	D24100.132	1		GETTO MASSIMO KEIHIN 132	MAIN JET KEIHIN 132
3	D24100.135	1		GETTO MASSIMO KEIHIN 135	MAIN JET KEIHIN 135
3	D24100.140	1		GETTO MASSIMO KEIHIN 140	
3	D24100.145	1		GETTO MASSIMO KEIHIN 145	
3	D24100.148	1		GETTO MASSIMO KEIHIN 148	
3	D24100.150	1		GETTO MASSIMO KEIHIN 150	MAIN JET KEIHIN 150
3	D24100.152	1		GETTO MASSIMO KEIHIN 152	
3	D24100.155	1		GETTO MASSIMO KEIHIN 155	
3	D24100.158	1		GETTO MASSIMO KEIHIN 158	
3	D24100.160	1		GETTO MASSIMO KEIHIN 160	MAIN JET KEIHIN 160
3	D24100.162	1		GETTO MASSIMO KEIHIN 162	MAIN JET KEIHIN 162
3	D24100.165	1		GETTO MASSIMO KEIHIN 165	MAIN JET KEIHIN 165
3	D24100.168	1		GETTO MASSIMO KEIHIN 168	MAIN JET KEIHIN 168
3	D24100.170	1		GETTO MASSIMO KEIHIN 170	MAIN JET KEIHIN 170
3	D24100.172	1		GETTO MASSIMO KEIHIN 172	MAIN JET KEIHIN 172
3	D24100.175	1		GETTO MASSIMO KEIHIN 175	MAIN JET KEIHIN 175



2T85MXJ26
2T 85 MX JUNIOR - 2S 85 MX JUNIOR

CARBURATORE KEIHIN PWK 28
CARBURETTOR KEIHIN PWK 28

4

Pos.	Codice	Q.tà	Note	Descrizione	Description
3	D24100.178	1		GETTO MASSIMO KEIHIN 178	MAIN JET KEIHIN 178
3	D24100.180	1		GETTO MASSIMO KEIHIN 180	MAIN JET KEIHIN 180
3	D24100.182	1		GETTO MASSIMO KEIHIN 182	MAIN JET KEIHIN 182
3	D24100.185	1		GETTO MASSIMO KEIHIN 185	MAIN JET KEIHIN 185
3	D24100.188	1		GETTO MASSIMO KEIHIN 188	MAIN JET KEIHIN 188
3	D24100.190	1		GETTO MASSIMO KEIHIN 190	MAIN JET KEIHIN 190
3	D24100.192	1		GETTO MASSIMO KEIHIN 192	MAIN JET KEIHIN 192
3	D24100.195	1		GETTO MASSIMO KEIHIN 195	MAIN JET KEIHIN 195
3	D24100.198	1		GETTO MASSIMO KEIHIN 198	MAIN JET KEIHIN 198
3	D24100.200	1		GETTO MASSIMO KEIHIN 200	MAIN JET KEIHIN 200
3	D24100.205	1		GETTO MASSIMO KEIHIN 205	MAIN JET KEIHIN 205
3	D24100.210	1		GETTO MASSIMO KEIHIN 210	MAIN JET KEIHIN 210
3	D24100.215	1		GETTO MASSIMO KEIHIN 215	MAIN JET KEIHIN 215
4	D24102.35	1		GETTO MINIMO KEIHIN 35	
4	D24102.38	1		GETTO MINIMO KEIHIN 38	SLOW JET KEIHIN - 38
4	D24102.40	1		GETTO MINIMO KEIHIN 40	SLOW JET KEIHIN - 40
4	D24102.42	1		GETTO MINIMO KEIHIN 42	SLOW JET KEIHIN 42
4	D24102.45	1		GETTO MINIMO KEIHIN 45	SLOW JET KEIHIN 45
4	D24102.48	1		GETTO MINIMO KEIHIN 48	SLOW JET KEIHIN 48
4	D24102.50	1		GETTO MINIMO KEIHIN 50	SLOW JET KEIHIN 50
4	D24102.52	1		GETTO MINIMO KEIHIN 52	SLOW JET KEIHIN 52
4	D24102.55	1		GETTO MINIMO KEIHIN 55	SLOW JET KEIHIN 55
4	D24102.58	1		GETTO MINIMO KEIHIN 58	SLOW JET KEIHIN 58
4	D24102.60	1		GETTO MINIMO KEIHIN 60	SLOW JET KEIHIN 60
6	ND	1		NON DISPONIBILE	TEMPORARILY NOT AVAILABLE
7	ND	1		NON DISPONIBILE	TEMPORARILY NOT AVAILABLE
8	D24139	1		VALVOLA AGO KEIHIN PWK 28	NEEDLE VALVE KEIHIN PWK 28
10	D24137	1		VASCHETTA CARB. PWK 28 KEIHIN	FLOAT BOWL COMP. PWK 28 KEIHIN



2T85MXJ26
2T 85 MX JUNIOR - 2S 85 MX JUNIOR

CARBURATORE KEIHIN PWK 28
CARBURETTOR KEIHIN PWK 28

4

Pos.	Codice	Q.tà	Note	Descrizione	Description
11	D24138	1		GUARNIZIONE VASCHETTA PWK 28 K	GASKET,FLOAT BOWL PWK28 KEIHIN
12	D24111	1		SEEGER SPILLO KEIHIN 41000	CLIP, NEEDLE KEIHIN
13	D24143	1		GALLEGGIANTE KEIHIN PWK 28	
15	ND	1		NON DISPONIBILE	TEMPORARILY NOT AVAILABLE
16	D24142	1		GUARNIZIONE TOP KEIHIN PWK 28	
17	D24121	1		VITE ARIA CARB. KEIHIN	ADJUST SCREW KEIHIN
18	D24110	1		MOLLA VITE ARIA 4150 KEIHIN	SPRING AIR SCREW 4150 KEIHIN
19	D24141	1		MOLLA VALVOLA KEIHIN PWK 28	SPRING VALVE CARB. KEIHIN PWK 28
20	D24140	1		CLIP VALVOLA AGO KEIHIN PWK 28	CLIP NEEDLE VALVE KEIHIN PWK28
21	D24135	1		VITE VASCHETTA KEIHIN PWK 38	
22	ND	1		NON DISPONIBILE	TEMPORARILY NOT AVAILABLE
23	ND	1		NON DISPONIBILE	TEMPORARILY NOT AVAILABLE
24	D24103	1		PERNO GALLEGGIANTE KEIHIN	PIN, KEIHIN CARB. FLOAT
25	ND	1		NON DISPONIBILE	TEMPORARILY NOT AVAILABLE
26	ND	1		NON DISPONIBILE	TEMPORARILY NOT AVAILABLE
27	ND	1		NON DISPONIBILE	TEMPORARILY NOT AVAILABLE
28	ND	1		NON DISPONIBILE	TEMPORARILY NOT AVAILABLE
29	D24104	1		VITE DEL MINIMO KEIHIN	IDLE ADJUSTER KEIHIN
30	D24105	1		MOLLA VITE MINIMO KEIHIN	SPRING IDLE ADJUSTER KEIHIN
31	D24136	1		COLLARINO MOLLA PWK 28 KEIHIN	COLLAR, Th.SPRING PWK 28KEIHIN
32	ND	1		NON DISPONIBILE	TEMPORARILY NOT AVAILABLE
33	ND	1		NON DISPONIBILE	TEMPORARILY NOT AVAILABLE
34	ND	1		NON DISPONIBILE	TEMPORARILY NOT AVAILABLE
35	ND	1		NON DISPONIBILE	TEMPORARILY NOT AVAILABLE