



2T125MX26-T

2T 125 MX ES

FRAME

11/11/2025

TM MOTO SRL UNIPERSONALE - VIA FANO, 6 - 61122 PESARO – ITALY

WWW.TM-MOTO.IT



2T125MX26-T
2T 125 MX ES - FRAME

SOMMARIO
TABLE OF CONTENTS

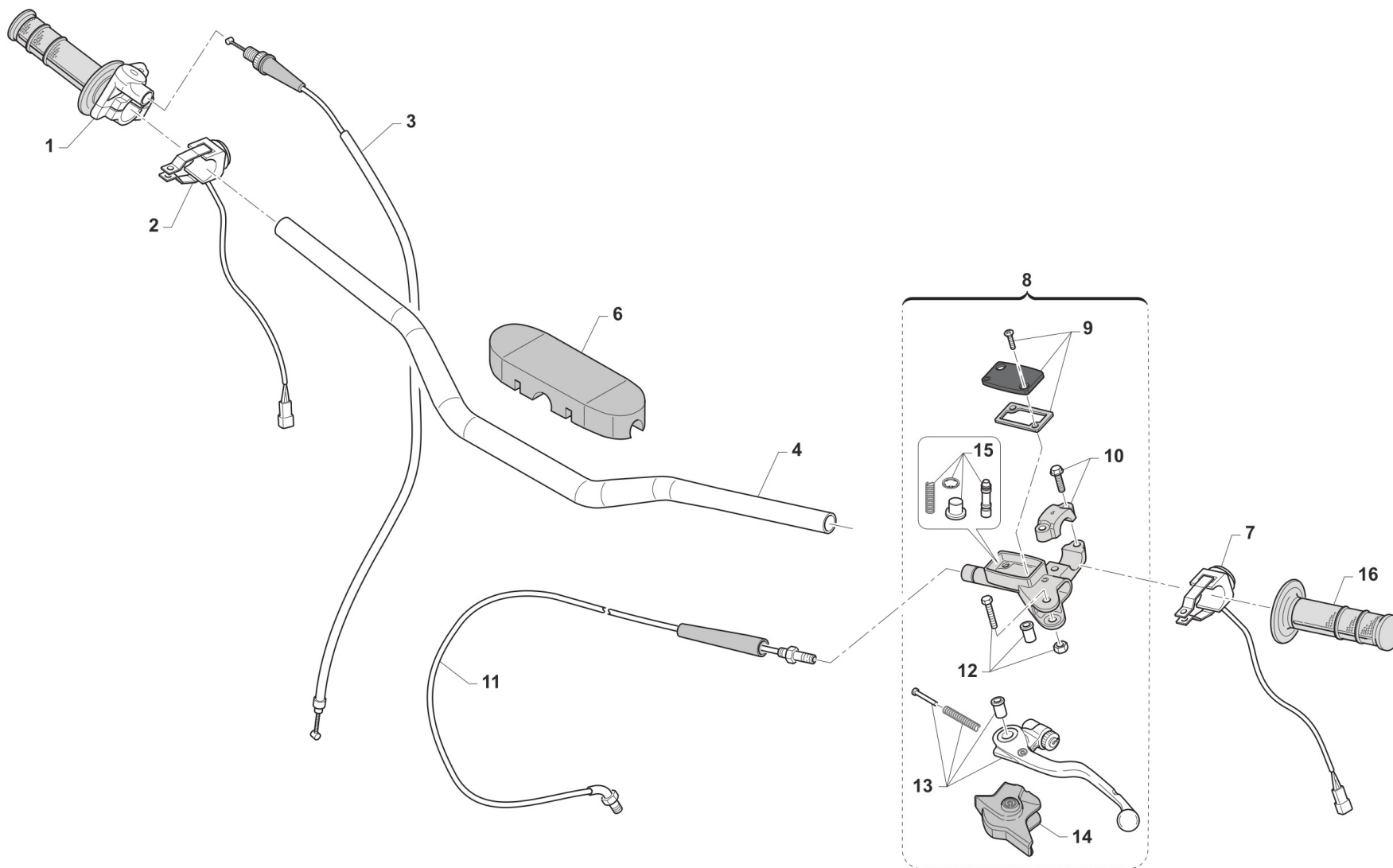
MANUBRIO - HANDLEBAR.....	3
FRENO ANTERIORE - FRONT BRAKE.....	5
FORCELLA - FORNT FORK.....	7
RUOTA ANTERIORE MX - FRONT WHEEL.....	10
RADIATORI - RADIATORS.....	12
SERBATOIO - FUEL TANK.....	14
TELAIO - FRAME.....	16
PLASTICHE E SELLA - PLASTIC AND SEAT.....	19
CASSA FILTRO - AIRBOX.....	22
FORCELLONE - SWINGARM.....	24
LEVERAGGI - LINKAGE.....	26
RUOTA POSTERIORE 19x1.85 - REAR WHEEL 19x1.85.....	28
RUOTA POSTERIORE 19x2.15 - REAR WHEEL 19x2.15.....	31
FRENO POSTERIORE - REAR BRAKE.....	34
SCARICO - EXHAUST SYSTEM.....	37
CABLAGGI - EXHAUST.....	39
KIT ADESIVI MX.....	41
KIT ADESIVI MX CORSE.....	43



2T125MX26-T
2T 125 MX ES - FRAME

MANUBRIO
HANDLEBAR

1



TM 06131.04



2T125MX26-T
2T 125 MX ES - FRAME

MANUBRIO
HANDLEBAR

1

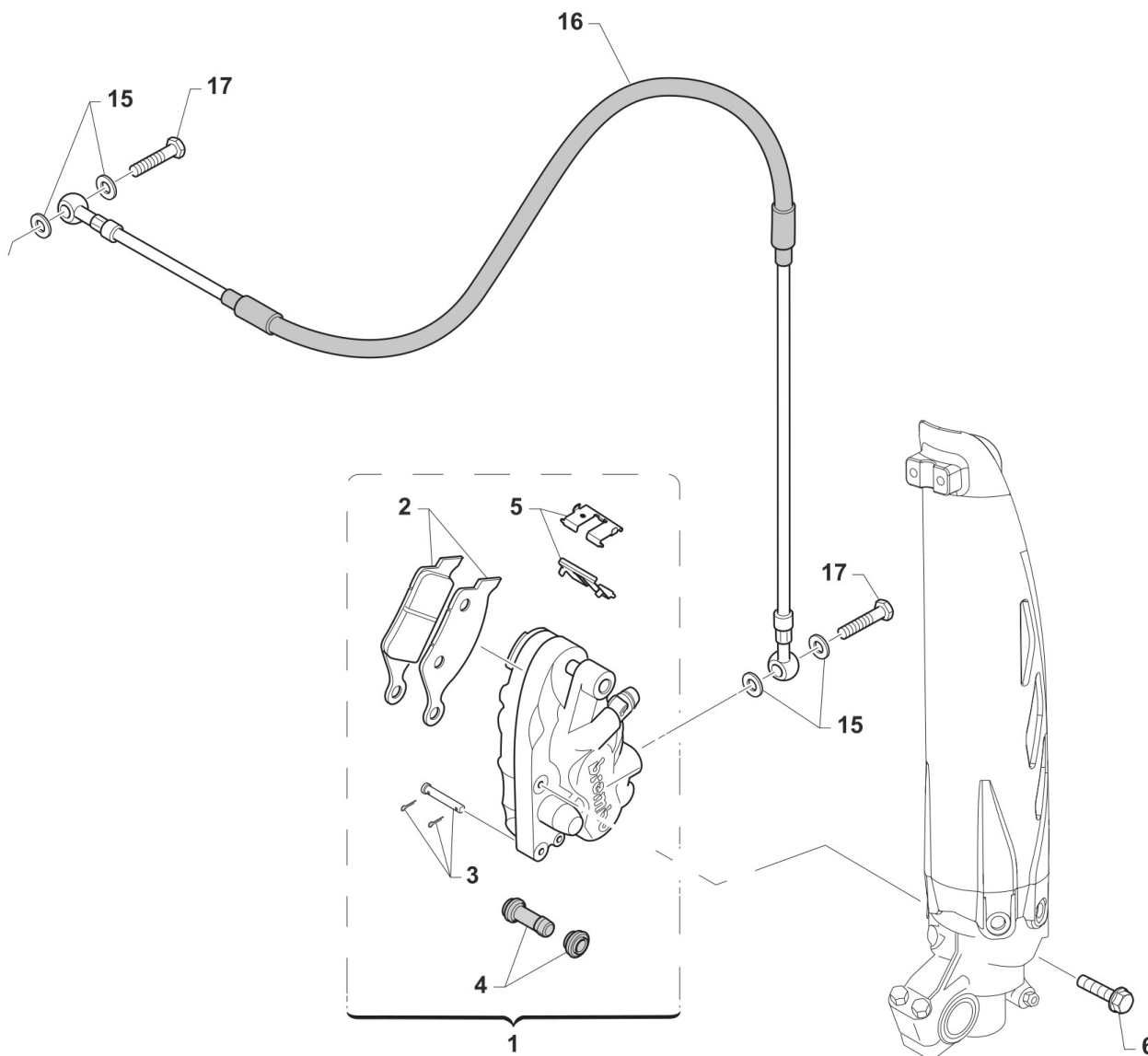
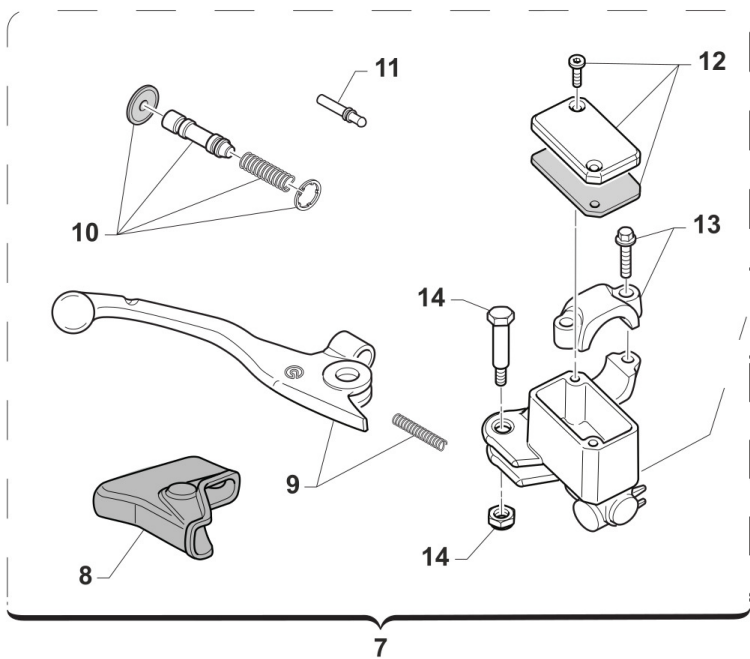
Pos.	Codice	Q.tà	Note	Descrizione	Description
1	64017	1		COMANDO GAS DOMINO MOD. 99->	THROTTLE CONTROL DOMINO 2S 99/->
2	68244	1		PULSANTE AVVIAMENTO MOTO ES MY19->	BUTTON, START BIKE E.S. M. 19->
3	64036.08	1		CAVO GAS 2T MY 99/07 + MY 08/->	THROTTLE CABLE 2S M.08/->
4	64085	1	MY20	MANUBRIO TM RACING 9012 TL	
6	64078.1	1		PARACOLPI MANUBRIO TM 2013 NR	PROTECTION FOR HANDLEBAR TM BLACK
7	F68189	1		PULSANTE DI MASSA MX Fi ASAHI	KILL BUTTON Fi
8	69360	1		POMPA FRIZIONE PS 9/17.7 BREMBO	PUMP, CLUTCH PS 9/17.7 BREMBO
9	64266	1		COPERCH./MEMBRAN.P.FRIZ.BREMBO 69360	
10	69362	1		CAVALLOTTO POMPA FRENO ANT PS10/16	HOLDER
11	35302	1		TUBO FRIZ.IDR. 2T 250/300 2T MY 19->+ 2T 125/144 MY 02/->	HYDR. CLUTCH HOSE 250/300 TS M.19->
12	64245	1		PERNO LEVA POMPA FRIZ. BREMBO	PIN
13	64241	1		LEVA FRIZIONE BREMBO RICAMBIO	LEVER, CLUTCH BREMBO
14	64238	1		PARAPOLVERE POMPA FRIZIONE BR.	DUST SEAL,CLUTCH MASTER CYL.BR
15	64265	1		FLOTTANTE POMPA FRIZ. BREMBO 69360 9/17	
16	64087	1		MANOPOLE COPPIA CIRCUIT IV (AZZURRO)	



2T125MX26-T
2T 125 MX ES - FRAME

FRENO ANTERIORE
FRONT BRAKE

2



TM0125



2T125MX26-T
2T 125 MX ES - FRAME

FRENO ANTERIORE
FRONT BRAKE

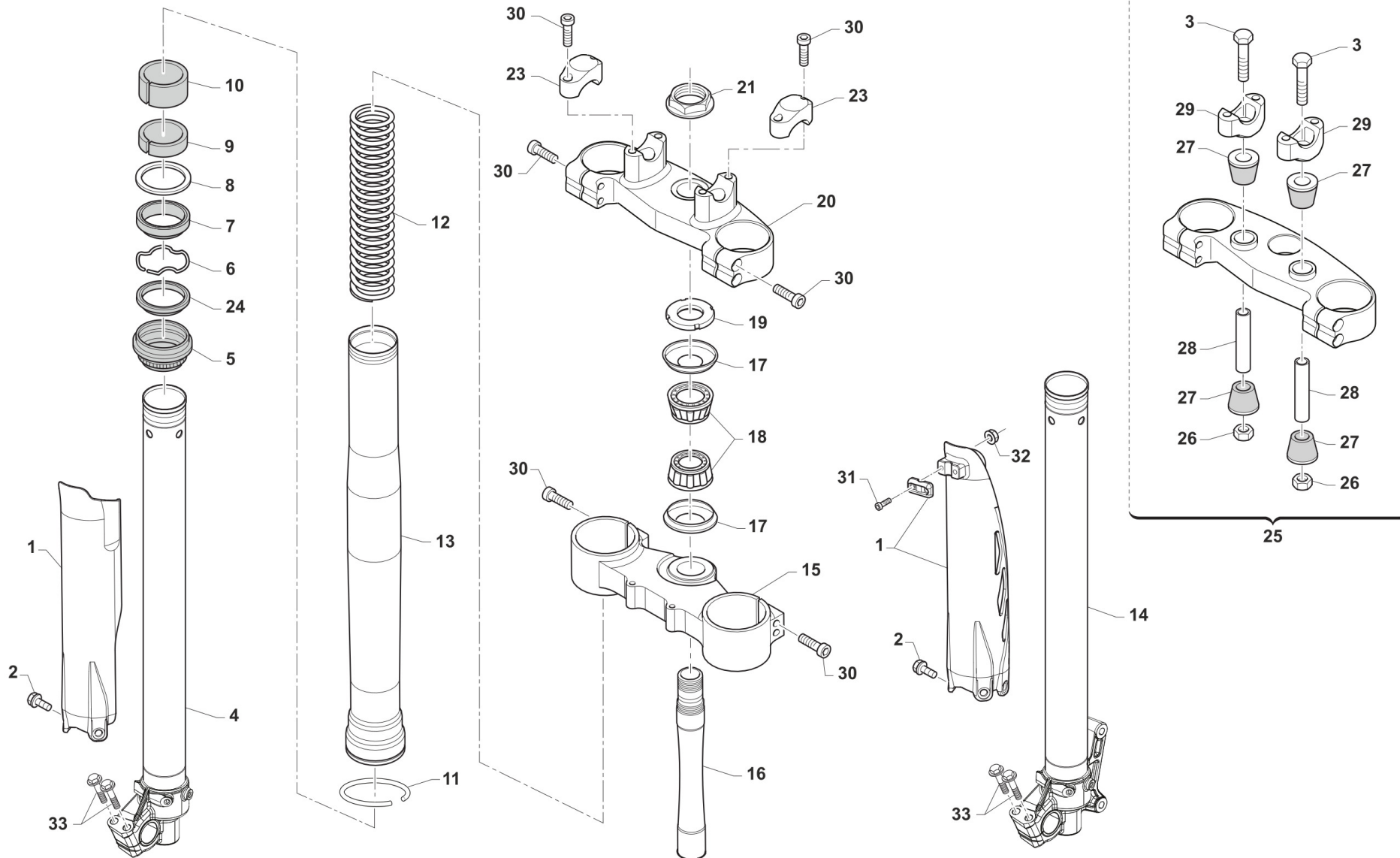
2

Pos.	Codice	Q.tà	Note	Descrizione	Description
1	69222	1		PINZA FRENO ANTERIORE KYB PF2	CALIPER, FRONT BRAKE XKYB PF2
2	69107	1		PASTIGLIE ANTERIORI MY 92/25 BREMBO	PAD KIT, FR BRAKE BREMBO 92/->
2	69117	1		PASTIGLIE ANT.M.92/11 SINT.TOS	PADS, FRONT BRAKE 92->11 SINT.
3	69274	1		PERNO PINZA ANT. 69222	PIN, BRAKE PADS
4	69113	1		CUFFIE PINZA ANT/POST 92/98	COVER, RUBBER CALIPER 92/98
5	69273	1		LAMIERINO PINZA 69222	RETAINER BRAKE PADS 69222
6	49365	2		VITE TE F/R 8X35 Ch.10	BOLT 8X35 T.10mm
7	69248	1		POMPA FRENO ANT PS10/16 BREMBO	FRONT MASTER CYLINDER PS 10/16 BREMBO
8	69363	1		CAPPUCCIO POMPA FRENO ANT PS10/16	RUBBER FRONT MASTER CYLINDER BREMBO
9	69357	1		LEVA FRENO ANT BR. X 69248	BRAKE FRONT LEVER BREMBO X 69248
10	69358	1		KIT FLOTTANTE POMPA FREN.69248	CYLINDER AND RUBBER KIT 69248
11	69364	1		PUNTALINO POMPA FRENO ANT PS10/16	PUSH ROD
12	69368	1		TAPPO POMPA FRENO BREMBO 69248	CAP
13	69362	1		CAVALLOTTO POMPA FRENO ANT PS10/16	HOLDER
14	69365	1		PERNO LEVA POMPA FRENO ANT PS10/16	PIN, LEVER
15	69034	4		RONDELLA X BULLONE FREN B22001	WASHER B22001, BRAKE HOSE
16	69060.14	1		TUBO FRENO ANT MX 01/-> WHITE	HOSE,FRONT BRAKE MX M.01 WHITE
17	69093	2		BULLONE 10X1 TUBO FRENO BREMBO 03	HOLLOW SCREW M10X1 BREMBO BR.



2T125MX26-T
2T 125 MX ES - FRAME

FORCELLA
FORNT FORK



TM 0124.06



2T125MX26-T
2T 125 MX ES - FRAME

FORCELLA
FORNT FORK

Pos.	Codice	Q.tà	Note	Descrizione	Description
1	67471	1		PROTEZ.KIT FORC.USD QUANTUM 2025	FORK PROTECTOR KIT USD MY 2020 - QUANTUM GREY
2	49571	6		VITE TBCE 6 x 7 PROT. FORCELLA	BOLT TBCE 6x7
3	49582	2		VITE TE 10X65 UNI 5737	SCREW EH 10X65
4	72568	1		INNER TUBE COMP RIGHT	INNER TUBE COMP RIGHT
5	72502	2		PARAPOLVERE FORCELLA KYB 48 mm	DUST SEAL KYB FORK 48 mm
6	72525	2		SNAP RING OIL SEAL KYB 48 MM	SNAP RING OIL SEAL KYB 48 MM
7	72501	2		PARAOLIO FORCELLA KYB 48 mm	OIL SEAL KYB FORK 48 mm
8	72526	2		WASHER NEXT TO OIL SEAL KYB 48	WASHER NEXT TO OIL SEAL KYB 48
9	72504	2		SLIDE METAL KYB 48 mm	SLIDE METAL KYB 48
10	72503	2		PISTON METAL KYB 48 mm	PISTON METAL KYB 48
11	72530	2		SNAP RING OUTERTUBE KYB 48 MM	SNAP RING OUTERTUBE KYB 48 MM
12	72392	2		SPRING 4.3 N/mm FORC. KYB	
12	72393	2		SPRING 4.4 N/mm FORC. KYB	
12	72394	2		SPRING 4.5 N/mm FORC. KYB	
12	72395	2		SPRING 4.8 N/mm FORC. KYB	
12	F72445	2		MOLLA FORCELLA KAYABA 48 K=4.0	SPRING, FORKS KYB 48 K=4.0
13	72567.1	2		OUTER TUBE COMP (FODERO) COL. ORO Kashima Gold	OUTER TUBE COMP, GOLD
14	72569	1		INNER TUBE COMP LEFT	INNER TUBE COMP LEFT
15	72000.101	1		PIASTRA INF. KYB 48,22	
15	72000.72	1		PIASTRA INF. KYB 48,23	BOTTOM TRIPLE CLAMP KYB 48,23
16	72007.98	1		CANOTTO STERZO CROSS M. 98/->	STEERING STEM, MX M.98/->
17	72002.02	2		PROTEZIONE CUSC/CANOTTO STERZO M. 02 ->	DUST SEAL, STEERING STEM 02/->
18	03070	2		CUSCINETTO CONICO STERZO 02/->	BUSH, STEERING M. 02/->
19	72008.98	1		GHIERA STERZO FORCELLA MY 98/26	NUT, STEERING BEARING
20	72000.100	1		PIASTRA SUP. KYB 48,22	
20	72000.71	1		PIASTRA SUP. KYB 48,23	BOTTOM TRIPLE CLAMP KYB 48,23
21	49080	1		DADO CANOTTO STERZO 98/-> ALL	NUT, STEERING STEM ALUM 98/->
23	72036.11	2		CAVALLOTTO SUP.M.11 SILVER	UPPER HANDLEBAR M.11 SILVER



2T125MX26-T
2T 125 MX ES - FRAME

FORCELLA
FORNT FORK

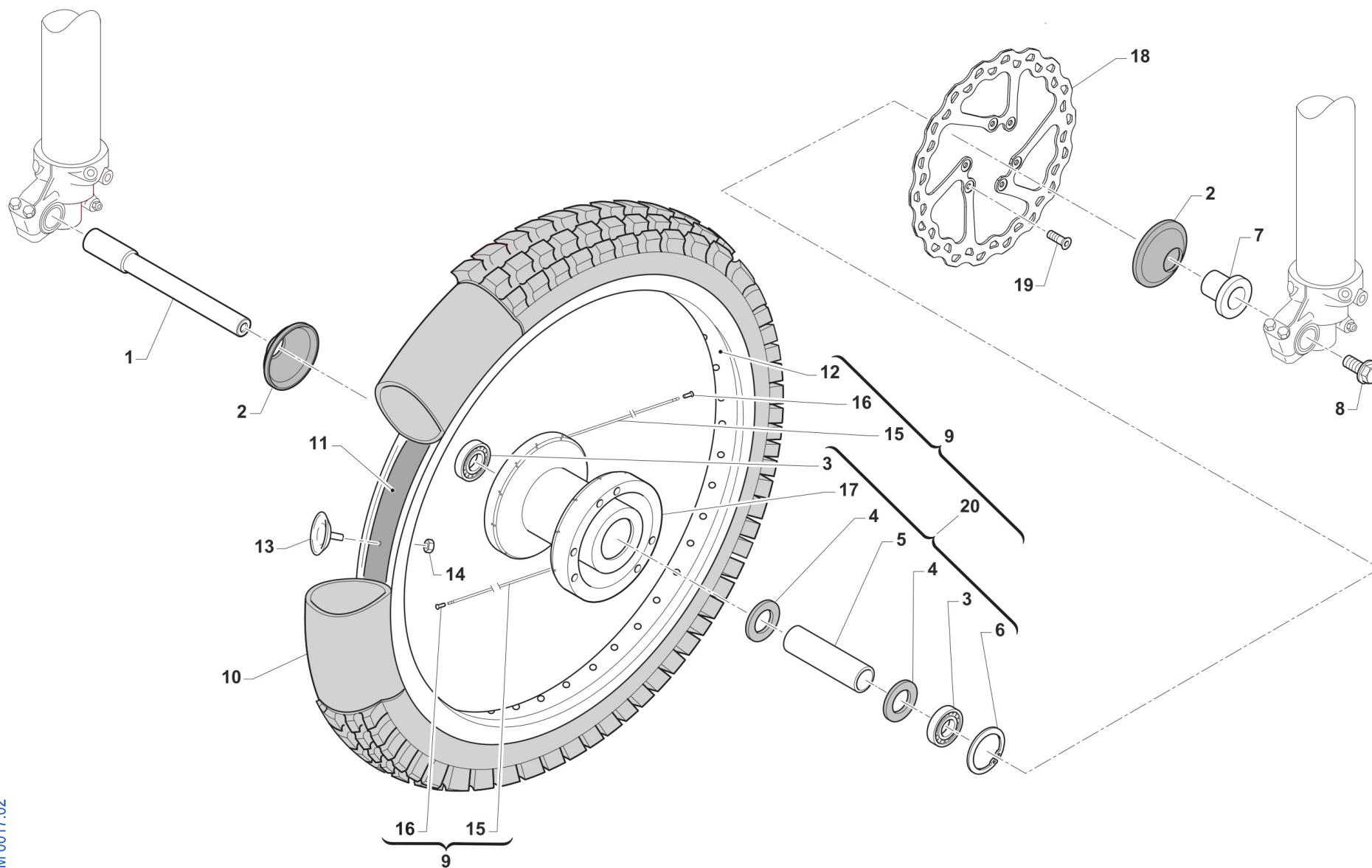
3

Pos.	Codice	Q.tà	Note	Descrizione	Description
24	72341	2		SCRAPER FORC.KYB R.DEPT	SCRAPER
25	72000.109	1		PIASTRA SUP. KYB 48,22 SB CPL	
25	72000.78	1		PIASTRA SUP. KYB 48,23 SB CPL	TOP TRIPLE CLAMP SB KYB 48,23
26	49646	2		DADO M10 BASSO AUTOBLOCCANTE	NUT, M10 LOW SELF-LOCKING
27	21036	4		GOMMINO CAVAL. ANTIVIB.MANUBRIO MY 05->	RUBBER, HANDLEBAR 05/->
28	26106	2		TUBETTO CAV.ANT.VIB.12X45X10	BUSH, RUBBER, TRIPLE CLAMP
29	72037.11	2		CAVALLOTTO INF. 11 RP SB SILVER	LOWER HANDLEBAR, CNC S.B. M11
30	49502	8		VITE TCEI 8X30	BOLT TCEI 8X30
31	49474	2		VITE TCEI 5X16 UNI 5931	BOLT TCEI 5X16
32	49629	2		DADO M 5 ALTO AUTOBLOCCANTE	NUT 5mm, HIGHT SELF-LOCKING
33	72622	4		VITE PIEDINO FORCELLA KYB	



2T125MX26-T
2T 125 MX ES - FRAME

RUOTA ANTERIORE MX
FRONT WHEEL



TM 0017.02



2T125MX26-T
2T 125 MX ES - FRAME

RUOTA ANTERIORE MX
FRONT WHEEL

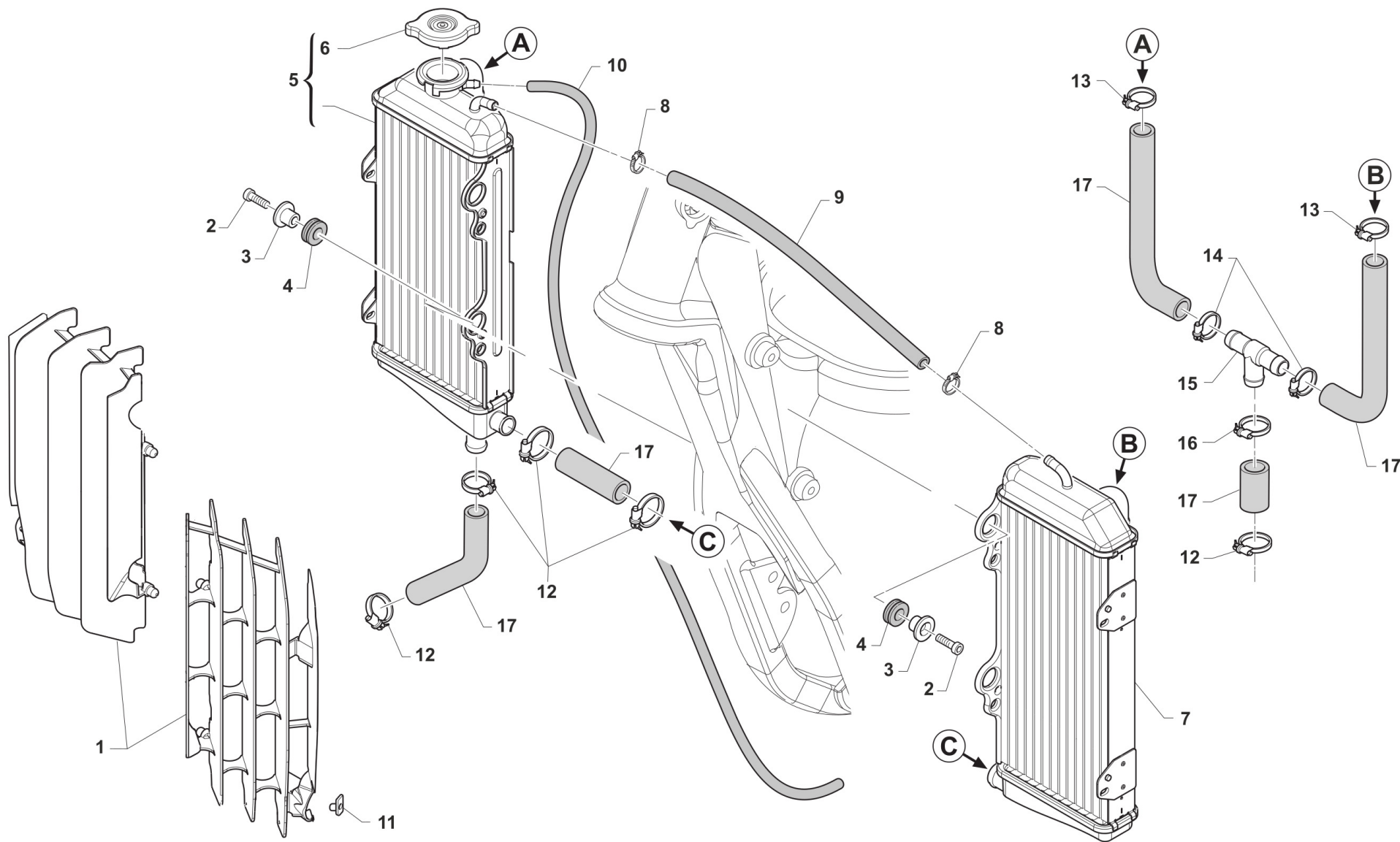
4

Pos.	Codice	Q.tà	Note	Descrizione	Description
1	74044	1		PERNO RUOTA ANT MA50 07/->	AXLE, FR WHEEL MA50 07/->
2	69998	2		PARAPOLVERE RUOTA ANT. MARZ. KYB 07->	DUST SEAL, FR WHEEL MA50 07/->
3	03071	2		CUSCINETTO RUOTA ANTER. + POSTER.	BUSH, FRONT WHEEL MA50 61905
4	70165	2		RONDELLA GOMMA 42X29X3 D.I.ANT	WASHER, RUBBER 42x29x3
5	70167	1		DIST.INT.R.ANT. MARZOCCHI 07	SPACER INTER.FRONT WHEEL MA.7
6	49250	1		SEEGER I 42 RP 94/96 ANT MARZ.50	CIRCLIP D.42 - REAR WHEEL
7	70166	1		BOCCOLA RUOTA ANT MA50 07/->	SPACER, FR WHEEL MA50 07/->
8	49077	1		DADO PERNO RUOTA ANT M.K.07->	NUT, FR AXLE MA50 M.07/->
9	70191	1		CERCHIO ANT. CPL 21x1.60 MA50/KYB48 BLU	RIM, FRONT MX ASSY 21x1.60 MY10->
10	80150	1		CAMERA ARIA ANTERIORE 21	TUBE, TYRE 21
11	70032	1		FLAP RUOTA ANTERIORE 21	FLAP FRONT WHEEL 21
12	70050	1		CERCHIO ANT 21x1.60 TAKASAGO BLU	FRONT RIM 1.60x21 Takasago
13	70030.1	1		FERMA COPERTURA RUOTA ANTER. 1.60	STOPPER 1.60
14	49640	1		DADO M 8 FLANGIATO CHIAVE 12	NUT 8mm, FLANGE
15	70246	36		RAGGIO R.ANT.4.0/3.1/4.0 X 230	SPOKE FR.WHEEL 4/3.1/4 X 230
16	70062	36		NIPPLO ACCIAIO 4	SPOKE NIPPLE 4 mm
17	70315	1		MOZZO ANT VMX MA50/KYB EN/MX R4 NUDO	
18	69389	1		DISCO FRENO ANTERIORE 269X3 TM	BRAKE DISK, FRONT, M-M 269x3
19	49370	6		VITE TE F/R 6X12	BOLT 6X12
20	70188	1		MOZZO ANT MA50/KYB EN/MX R4 CPL	FRONT HUB MARZ. 2010 --> ASSY



2T125MX26-T
2T 125 MX ES - FRAME

RADIATORI
RADIATORS



TM 0619.01



2T125MX26-T
2T 125 MX ES - FRAME

RADIATORI
RADIATORS

5

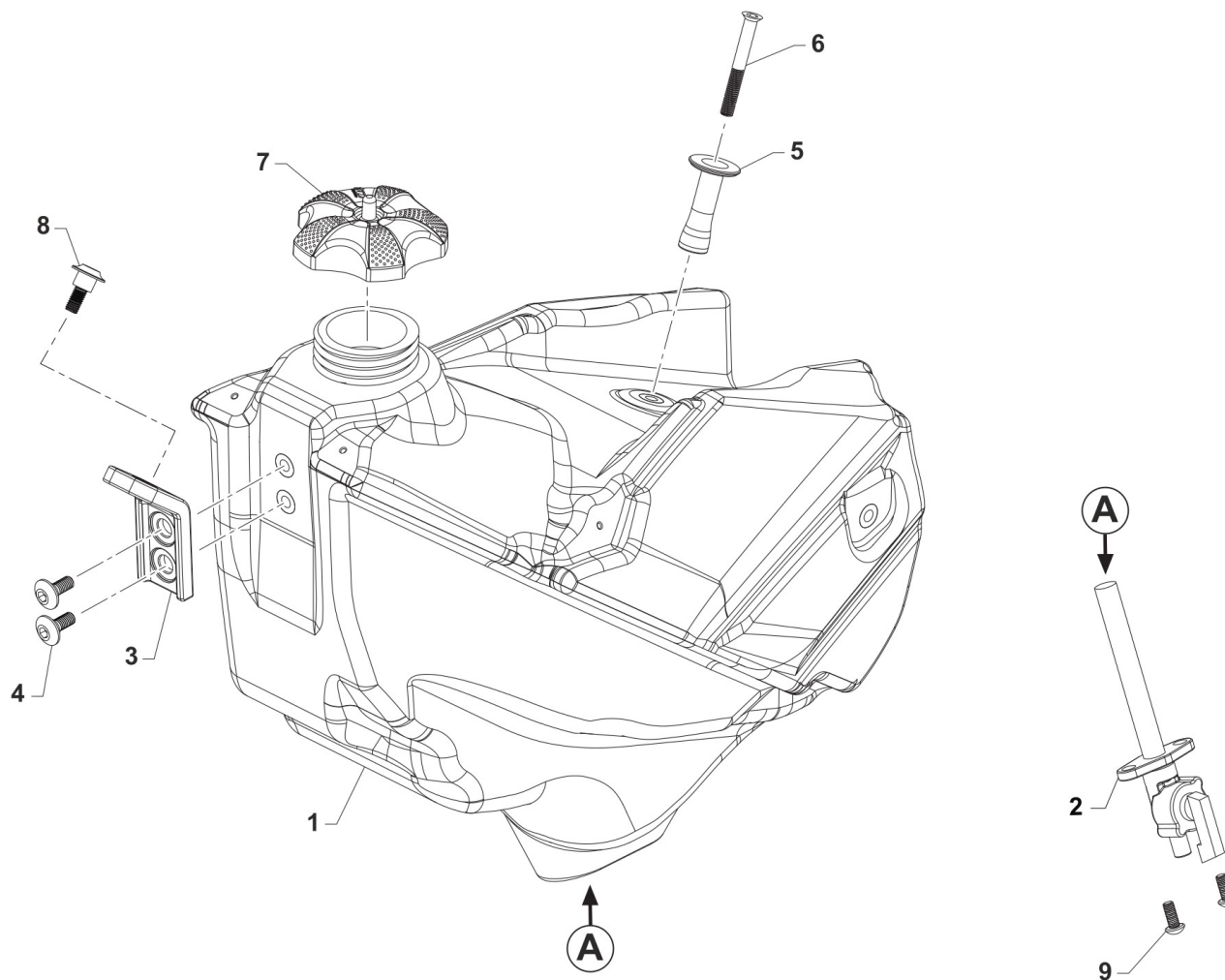
Pos.	Codice	Q.tà	Note	Descrizione	Description
1	23108	1		KIT PROTEZ. RAD. 2T 125 ES MY25 CPL NERO	GUARDS, RADIATOR 2S 125 ES MY 2025 BLACK
2	49482	4		VITE TCEI 6X14 UNI 5931	BOLT TCEI 6X14
3	26064	4		BOCCOLA RADIATORE MY 02 / 06 ->	BUSH, RADIATOR M.02/06
4	21102	4		GOMMINO ANTIV.RADIAT.SILENZ. MY 94->	RUBBER, GROMMET RADIATOR and SILENC.
5	23102	1		RADIATORE 2T 125 ES DX MY 2025	
6	23062	1		TAPPO RADIATORE 1,8 BASSO(PER RADIATORE 23065)	RADIATOR CAP 1,8
7	23101	1		RADIATORE 2T 125 ES SX MY 2025	
8	51001	2		FASCETTA 07/11 mm	CLAMP 07/11 mm
9	67422	1		TUBO HYDRO' ECO 5 X 12	
10	67170	1		TUBO COPOLAN GRIGIO 5x9 mm (rotolo 200 ml.)	HOSE, COPOLAN GREY 5x9 mm
11	49801	2		PRESTOLA RADIATORE M6 70117G	RANGE CHANGE MET.NUT M6 70117G
12	51102	5		FASCETTA A COLLARE DIAM.30 ZN	
13	51036	2		FASCETTA A COLLARE DIAM.24 ZN	CLIP, WATER HOSE, d.24 ZN
14	F51115	2		FASCETTA OETIKER 25.6	
15	21147	1		RACCORDO A Y RADIATORI 125 2T	
16	51109	1		FASCETTA OETIKER 31,6	
17	21088	1		KIT TUBI ACQUA 125 ES 2025	



2T125MX26-T
2T 125 MX ES - FRAME

SERBATOIO
FUEL TANK

6



TM 0629



2T125MX26-T
2T 125 MX ES - FRAME

SERBATOIO
FUEL TANK

6

Pos.	Codice	Q.tà	Note	Descrizione	Description
1	65045	1		SERBATOIO MOTO 2T CARB. 8L MY22 NERO	
2	65061	1		RUBINETTO BENZINA DIRITTO J-13/ carb 2022	FUEL COCK J13->
3	26082	1		PIASTRINO PL.SERBATOIO M 08/10	PLASTIC PLATE TANK M.08->10
4	49574	2		VITE TBCE 6 x 12 PLASTICHE	BOLT TBCE 6x12
5	26189	1		BOCCOLA SERBATOIO MOTO 2T '8 LT' MY2022	
6	49412	1		VITE TSEI 6X50	
7	65052	1		TAPPO SERBATOIO RACING MY 98/07 MY15->PA6	CAP, FUEL TANK MY 98/07 MY15->
8	F49822	1		VITE ES.FLANG.M6X12 T.AL.M08	BOLT, 6X12 AL. FRAME M.08->
9	49435	2		VITE TE 5X12	SCREW TE 5X12



2T125MX26-T
2T 125 MX ES - FRAME

TELAIO
FRAME

7

Pos.	Codice	Q.tà	Note	Descrizione	Description
1	73241	1		TELAIO MX 125 2T MY25PER MOTORE 125 2T 2025	
2	73160	1		CODINO TELAIO 2T MY22	
3	49364	2		VITE TE F/R 8X25 Ch.10	BOLT, EH 8X25 To.10 mm
4	49724	6		VITE TE F/R 8X21	BOLT TE F/R 8x21
5	49792	1		VITE TE F/R 10X54 1.25 T.AL08	BOLT, M10X1.25X54 ALU.FRAME08
6	49681	1		DADO M 10 X 1,25 CH 14 FLANG. AUTOBLOCK	NUT M10x1,25 FLANGED SELF-LOCK
7	49353	1		VITE TE F/R 8X90 1.25 Ch.10	SCREW TE F/R 8X90 1.25 Ch.10
8	49354	1		VITE TE F/R 8X120 1.25 Ch.10	SCREW TE F/R 8X120 1.25 T.10
9	49680	2		DADO M 8 X 1,25 CH 12 FLANG. AUTOBLOCK	NUT, M 8X1,25 FLANG. SB
10	73161	2		PERNO PEDANE MY2022	
11	49382	2		VITE ESAG.FLANG.M12X25 T.A.	BOLT 12 X 25 FLANGE
12	49383	2		VITE ESAG.FLANG.M8X1.25X20 T.A	BOLT 8 X 20 FLANGE
13	49612	2		RONDELLA ACCIAIO 10	STEEL WASHER 10
14	73036	2		COPIGLIA PEDANA M. 92/01	COTTER PIN FOOTPEG 92/01
15	F16481	2		MOLLA RITORNO PEDANA MY2022	
16	F73507	1		PEDANA SINISTRA MY2022	
17	F73509	1		SUPPORTO PEDANA SINISTRA MY2022	
18	F73506	1		PEDANA DESTRA MY2022	
19	F73508	1		SUPPORTO PEDANA DESTRA MY2022	
20	16021	1		MOLLA PASSAGGIO CAVI MOTO (SX)	GROMMET BIKES LF
21	49597	1		VITE TBCEI 4 x 8 UNI 7380	BOLT TBCE 4 x 8
22	49367	1		VITE TE F/R 8X45 Ch.10	BOLT 8X45 T.10mm
23	67088	1		ROTELLA CATENA M. 90/07	CHAIN ROLLER M.90/07
24	50276	1		PARAMOTORE 2T 125 ES MY 2025	GUARD, ENGINE, 2S 125 ES
25	F49861	2		VITE PARACOPPA E.I. M6X16 FL.	BOLT, GUARD ENGINE 6X16
27	49364	1		VITE TE F/R 8X25 Ch.10	BOLT, EH 8X25 To.10 mm
28	26276	1		PIASTRINO DESTRO FISSAGGIO CILINDRO MOTORE 125 ES 2T AL TELAIO	BRACKET, CYL HANGER, RH SIDE



2T125MX26-T
2T 125 MX ES - FRAME

TELAIO
FRAME

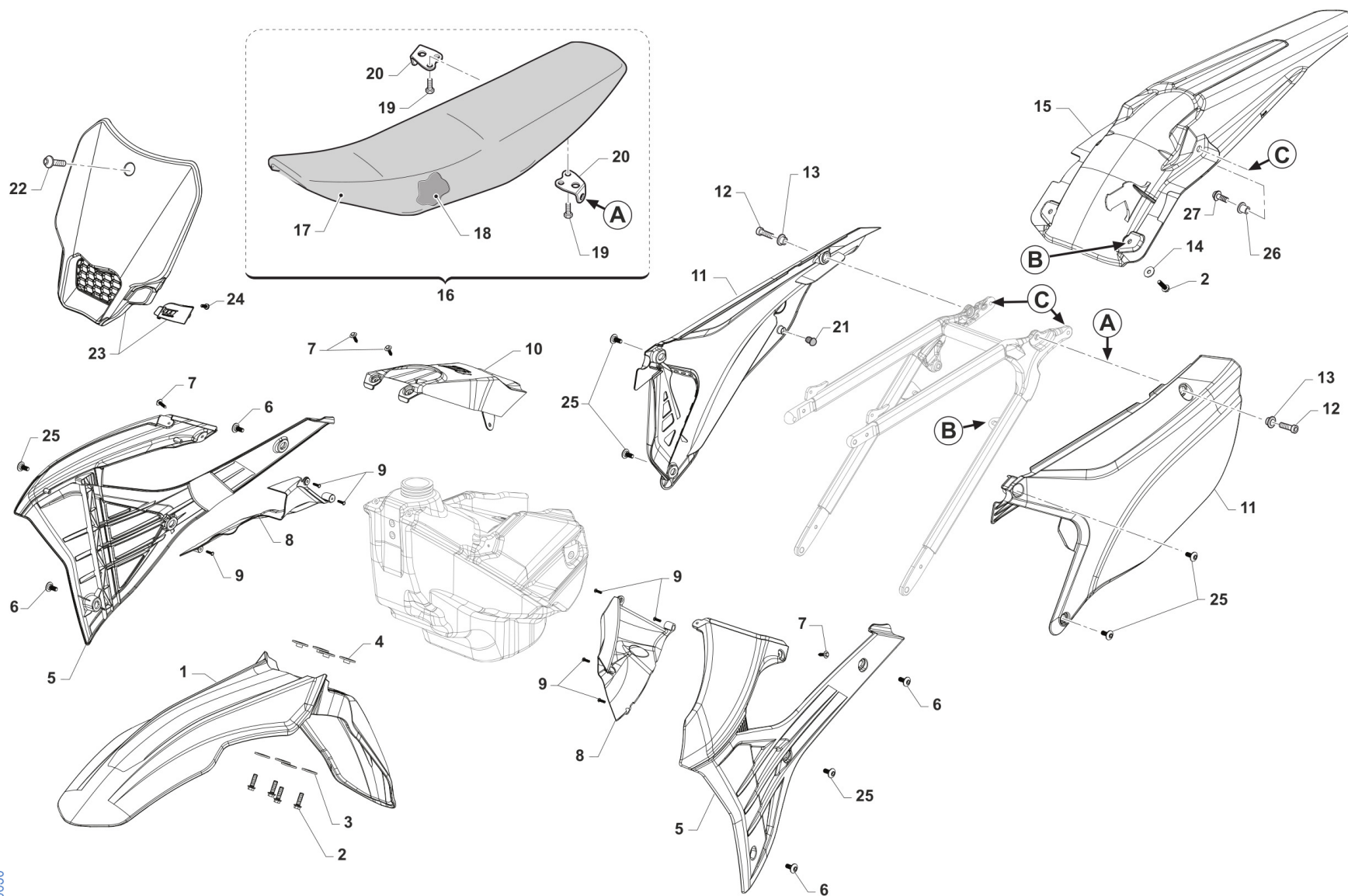
7

Pos.	Codice	Q.tà	Note	Descrizione	Description
29	26277	1		PIASTRINO SINISTRO FISSAGGIO CILINDRO MOTORE 125 ES 2T AL TELAIO	BRACKET, CYL HANGER, LH SIDE
30	51097	1		FASCETTA 148x3.6 PER FISSAGGI SU TELAI 150-55850	



2T125MX26-T
2T 125 MX ES - FRAME

PLASTICHE E SELLA
PLASTIC AND SEAT



TM 0630



2T125MX26-T
2T 125 MX ES - FRAME

PLASTICHE E SELLA
PLASTIC AND SEAT

8

Pos.	Codice	Q.tà	Note	Descrizione	Description
1	67453	1		PARAFANGO ANTERIORE MY25 QUANTUM	MUDGUARD, FRONT 2022/2025 QUANTUM GREY
2	49356	6		VITE TE F/R 6X20 Ch.8	BOLT 6X20 T.8
3	26084	4		RONDELLA PARAF ANT. 24x2 M.08	WASHER, FRONT FENDER 24 X 2
4	26132	4		BOCCOLA PARAF. ANT. M12	BUSH, FRONT MUDGUARD M.12->
5	67470	1		SET CONV. ARIA 2T/4T MY25 QUANTUM	RAD SHROUDS SET, 2S+4S, RH+LH, MY25 - QUANTUM GREY
6	49574	4		VITE TBCE 6 x 12 PLASTICHE	BOLT TBCE 6x12
7	49192	4		VITE TE COL.LARG.TL107 A 4X16 Chrm SERB.PL. MY22	
8	67271.22	1		SET CONVOGL. INTERNI 2T / 4T MY22->	
9	49984	7		VITE TCBL 3.0 X 12 FL. PLASTICA	BOLT
10	67461	1		COVER SERBATOIO 2T MY25 QUANTUM	
11	67472	1		SET LATER. P.NUM. 2T MY25 QUANTUM	
12	49484	2		VITE TCEI 6X20	BOLT TCEI 6X20
13	26059	2		BOCCOLA FISS.SELLA & LAT.03/->	COLLAR, SEAT/SIDE PANEL 03/->
14	49117	2		RONDELLA 18X6.5X2 X RADIAT.08	WASHER 18X6.5X2 RADIATOR 08
15	67457	1		PARAFANGO POSTERIORE 2T/4T MY25 QUANTUM	MUDGUARD, REAR MY 25 - QUANTUM GREY
16	67469	1		SELLA M.2025 2T/4T CPL QUANTUMTERMOSALDATA	SEAT 2S/4S STANDARD MY 2025 QUANTUM
17	67477	1		COPERTINA SELLA M.2025 2T/4T QUANTUMTERMOSALDATA	
18	67361	1		SPUGNA SELLA CROSS/ENDURO MOD.2022 2T/4T X 67363	
19	49435	4		VITE TE 5X12	SCREW TE 5X12
20	73047	2		PIASTRINO AL ATT.SELLA POSTER.	PLATE AI REAR SEAT HOLDER
21	21141	2		GOMMINO DIST.FIANC/SCARICO M22	
22	49574	1		VITE TBCE 6 x 12 PLASTICHE	BOLT TBCE 6x12
23	67475	1		PORTANUMERO ANTERIORE MY25 QUANTUM/NERO	NUMBER PLATE FRONT MX ASSY MY22 - QUANTUM GREY
24	49128	1		VITE TCEI 4x12 7505B	
25	490010	6		VITE TBCE 6 x 9 PLASTICHE	
26	26187	2		BOCCOLA FISSAGGIO PARAF/SUPP.COMP.ELET. MX/SMX MY22 15x6 F.6	



2T125MX26-T
2T 125 MX ES - FRAME

PLASTICHE E SELLA
PLASTIC AND SEAT

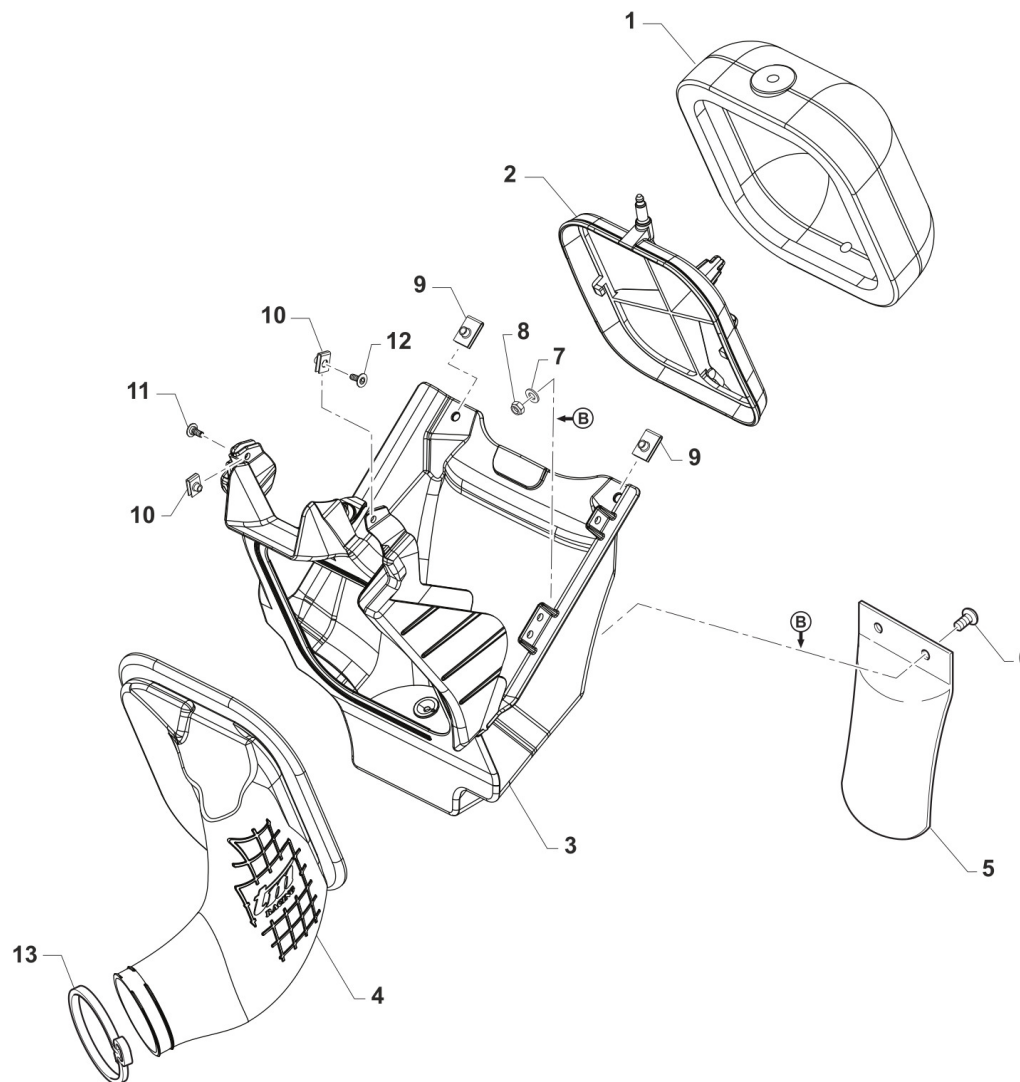
8

Pos.	Codice	Q.tà	Note	Descrizione	Description
27	49356	2		VITE TE F/R 6X20 Ch.8	BOLT 6X20 T.8



2T125MX26-T
2T 125 MX ES - FRAME

CASSA FILTRO AIRBOX



TM 0628.01



2T125MX26-T
2T 125 MX ES - FRAME

CASSA FILTRO
AIRBOX

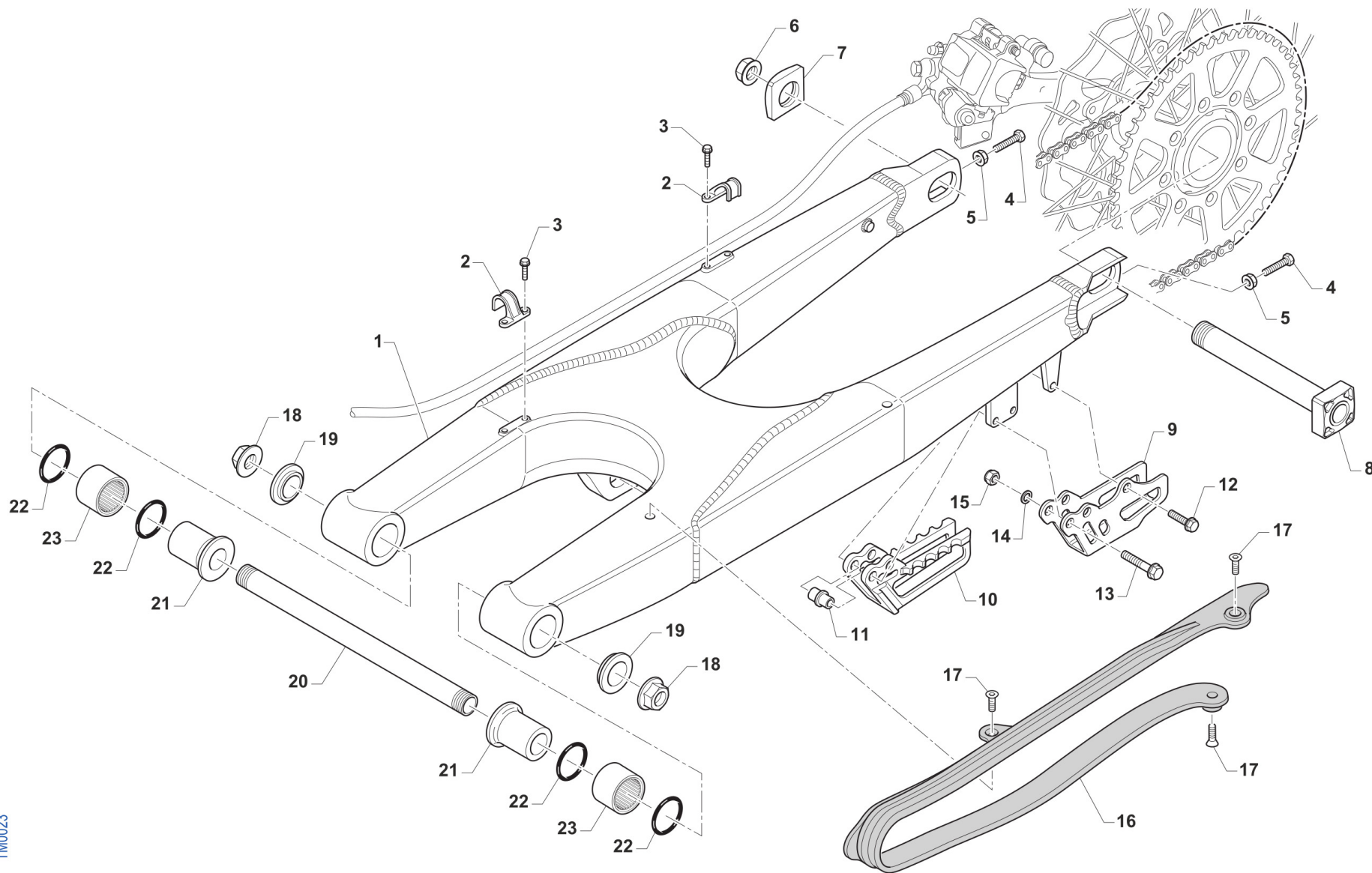
9

Pos.	Codice	Q.tà	Note	Descrizione	Description
1	66070	1		FILTRO ARIA 2T MY22 PACKED	
2	66068	1		GABBIA PER FILTRO M22->	CAGE, AIR FILTER MY22->
3	67352	1		CASSA FILTRO 2T CARBUR. CPL MY2022	AIR FILTER BOX ASSY TS CARB. M.22->
4	67412	1		CUFFIA CASSA FILTRO 125 2T ES MY25 CARB.GRIGIO senza piastrino	AIRBOOT 2S 125 ES CARBURETTOR
5	67104	1		PROTEZIONE MONO MOD. 92/->	GUARD, SHOCK ABSOVER M. 92/->
6	490007	2		VITE TBCEI 5 x 12 7380 FLANGE 10.9	BOLT TBCEI 5 x 12 7380 FLANGE
7	49602	2		RONDELLA 5 x 15 x 1,2	WASHER 5x15
8	49633	2		DADO M 5 BASSO AUTOBLOCCANTE	NUT 5mm, LOW SELF-LOCKING
9	49199	2		PRESTOLA M6 C/COLLARINO E ALETTA	U NUT M6
10	51096	2		PRESTOLA M 5 10 X 15	U NUT M5 10x15
11	49753	1		VITE 10.9 TBCEI 5 x 16 UNI 7380	
12	49890	1		VITE TBCEI 5 x 14 UNI 7380 10.9	SCREW TBCE 5X14
13	51104	1		FASCETTA STRINGITUBO DIAMETRO 50-70 LARGEZZA 9	



2T125MX26-T
2T 125 MX ES - FRAME

FORCELLONE
SWINGARM



TM0023



2T125MX26-T
2T 125 MX ES - FRAME

FORCELLONE
SWINGARM

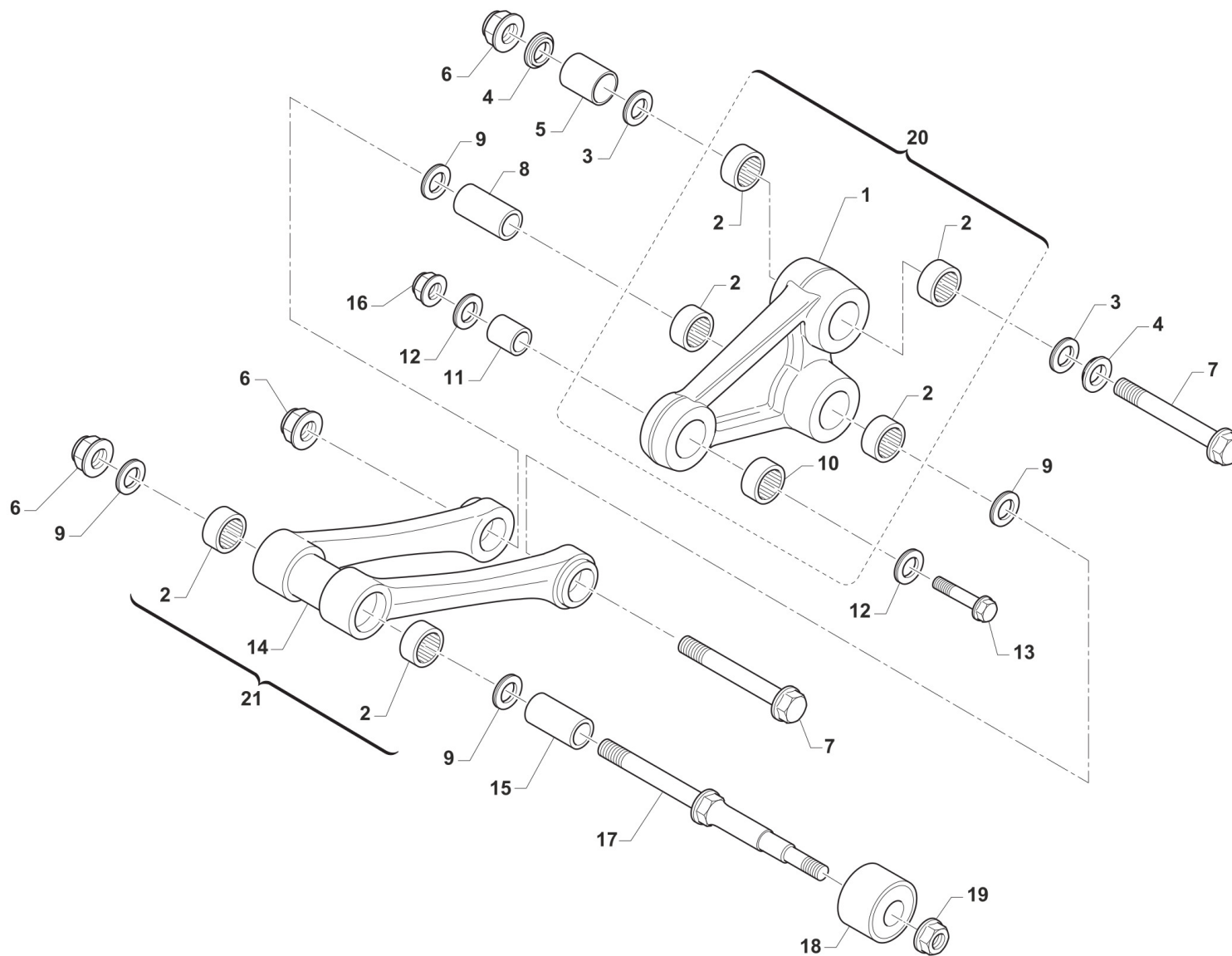
10

Pos.	Codice	Q.tà	Note	Descrizione	Description
1	73099.15	1		FORCELLONE MOTO 2T/4T MY 15/22	SWINGARM 2S MY 15
2	67054	2		FERMA TUBO FRENO POST. M.97/->	RETAIN CLAMP BRAKE HOSE 97/->
3	49794	4		VITE AUTOFOR. 4.8X16 7504	BOLT, 4,8 X 16 7504
4	F49976	2		VITE TE 8X45 ES.10 FORCELLONE	SCREW TE 8X45 SWINGARM
5	49640	2		DADO M 8 FLANGIATO CHIAVE 12	NUT 8mm, FLANGE
6	49123	1		DADO PERNO RUOTA POST. M.2015	NUT, REAR WHEEL AXLE 15 ->
7	70140.15	1		TENDICATENA 2015 SENZA FILETTO	ADJ BLOCK, CHAIN 15-THREADLESS
8	74055.15	1		PERNO RUOTA POSTERIORE M.15->	AXLE, REAR WHEEL M.15->
9	73130	1		PASSACATENA ALLUM. MOD. 11/->	PLATE, CHAIN GUIDE M. 11/->
10	67102.10	1		PASSACATENA NYLON MOD.2011	GUIDE, CHAIN M. 11/->
11	26092	1		BOCCOLA PASSACATENA M.11->	BUSH, CHAINGUIDE M11->
12	49370	1		VITE TE F/R 6X12	BOLT 6X12
13	49362	2		VITE TE F/R 6X50 Ch.8	BOLT 6X50 T.8
14	49603	2		RONDELLA M 6,4 X 12 X 1,6	WASHER 6x12
15	49638	2		DADO M 6 ALTO AUTOBLOCCANTE	NUT 6mm, HIGHT SELF-LOCKING
16	67099.15	1		PROTEZIONE FORCELLONE M.2015	SWINGARM PROTECTION M.2015
17	49396	3		VITE TSEI 5X10	BOLT TSEI 5X10
18	49095	2		DADO 16 FORCELLONE MOTO 95/10	NUT, SWINGARM AXLE M. 95/05
19	73115	2		COPERCHIO BOCCOLA FORC. M08->	COLLAR, SWINGARM M.08
20	74056	1		PERNO FORCELLONE MOD. 08/->	AXLE SWINGARM M. 08->
21	73112	2		BOCCOLA FORC. 08/-> F16(30X49)	BUSH, SWINGARM 08-> H.16 30X49
22	12102	4		O RING LEVERAGGIO & FORCELLONE	O-RING, LINKAGE & SWINGARM
23	19043	2		ASTUCCIO A RULLI HK 2030	NEEDLE CAGE HK 20/30



2T125MX26-T
2T 125 MX ES - FRAME

LEVERAGGI
LINKAGE



TM 0645



2T125MX26-T
2T 125 MX ES - FRAME

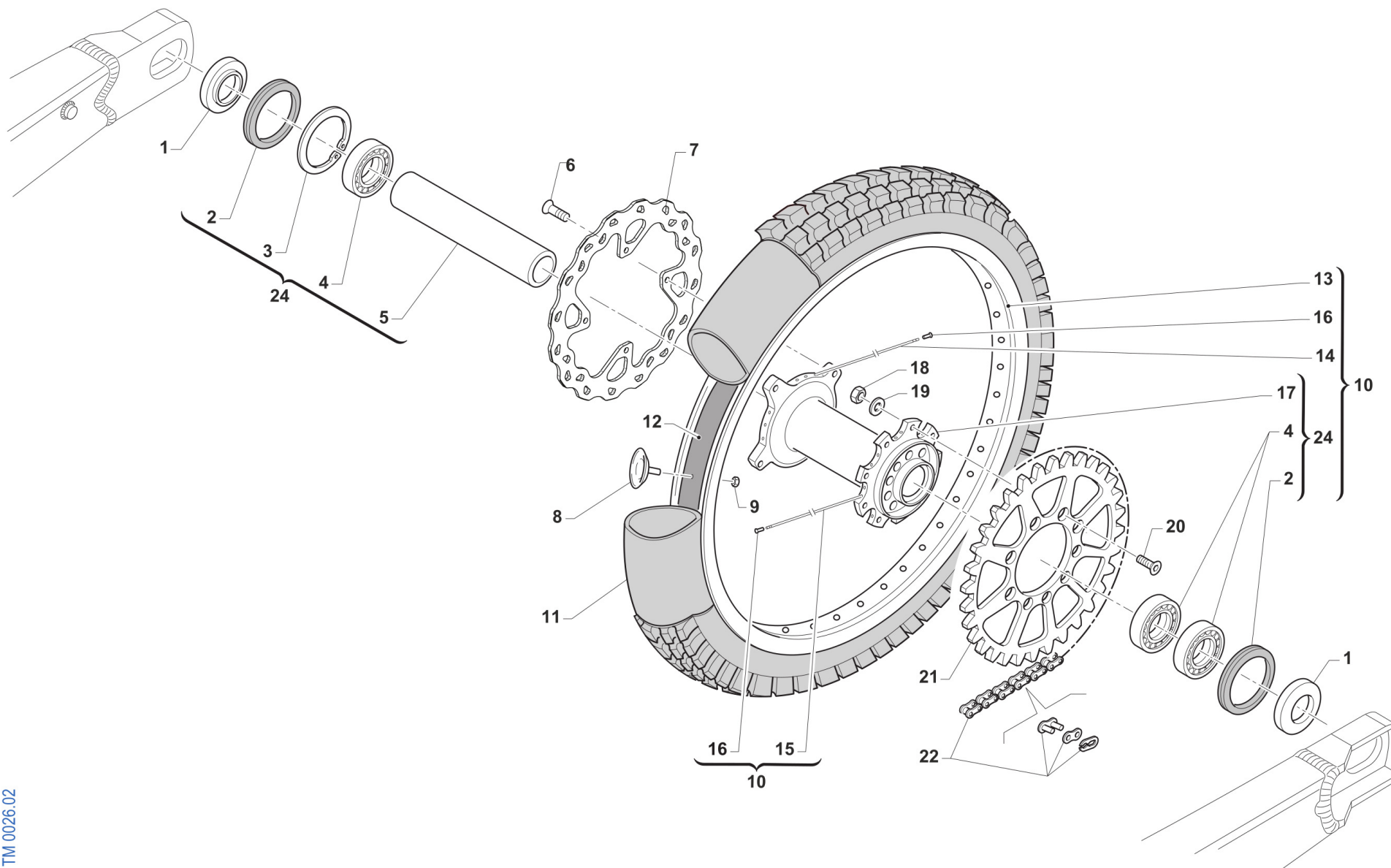
LEVERAGGI
LINKAGE

Pos.	Codice	Q.tà	Note	Descrizione	Description
1	73145	1		TRIANGOLO SOSP. MY 15/23 NUDO	ARM
2	19106	6		GABBIA RULLINI DL 2016 KYU	BUSH NEEDLE CAGE 26 X 20 H16
3	12010	2		O RING ORM 0240-30 TRIANG.05/6	O-RING, LINKAGE 05/6 ORM 0240-30
4	73075	2		COPERCHIO BOCCOLA TRIANG '05	COVER, BUSH
5	73211	1		BOCCOLA TRIANGOLO LEVER.05/->	BUSH, ARM RELAY 12X20X38
6	49194	3		DADO M12X1.25 FLANG. CH14	
7	49345	2		VITE TE F/R 12X90 1.25 Ch13	BOLT TE F/R 12X90 1.25 T.13
8	F73416	1		BOCCOLA TRIANG. 20x48F12 05/->	COLLAR, ROD M.04 12x20x48
9	12102	4		O RING LEVERAGGIO & FORCELLONE	O-RING, LINKAGE & SWINGARM
10	19101	1		GABBIA RULLINI DL 1812 KYU	BUSH NEEDLE CAGE DL 18/12
11	73214	1		BOCCOLA 18 X 20 F.10 TRIANGOLO 07/->	COLLAR, ARM ASSY 10 18X20 M.07
12	F12312	2		O RING FILTRO OLIO P.ASPIRAZ.+LEV.	O-RING, OIL FILTER
13	49347.1	1		VITE TE F/R 10X43 1.25 Ch.13	BOLT TE F/R 10X43 1.25 T.10
14	73144	1		TRAPEZIO SOSP. MY 15/23 NUDO	CONROD LINKAGE MY.15
15	73204	1		BOCCOLA TRAPEZIO 20 x 74 F.12	BUSHING 20x74x12, ROD SUSP. 05
16	F49874	1		DADO M 10 X 1,25 CH 12 FLANGIATO	NUT FLANGED M 10x1,25 T.12mm
17	49790	1		PERNO SNODO BIELLA/ROT.CAT.M08	PIVOT, LINKAGE/ROLLER 08/->
18	67088.08	1		ROTELLA CATENA M. 08/->	CHAIN ROLLER 08/->
19	49676	1		DADO M 6X1 FLANG. AUTOBL.ACC.	NUT, FLANGED M6 X 1 S.B.
20	73016.15	1		TRIANGOLO SOSP. MY 15/22 CPL	ARM ASSY RELAY M.Y.2015
21	73059.15	1		TRAPEZIO SOSP. MY 15/-> CPL	ROS, ASSY



2T125MX26-T
2T 125 MX ES - FRAME

RUOTA POSTERIORE 19x1.85
REAR WHEEL 19x1.85



TM 0026.02



2T125MX26-T
2T 125 MX ES - FRAME

RUOTA POSTERIORE 19x1.85
REAR WHEEL 19x1.85

12

Pos.	Codice	Q.tà	Note	Descrizione	Description
1	70241	2		DISTANZ. RUOTA PST. 2015 DX/SX	COLLAR REAR WHEEL LE.RI. 15->
2	04074	2		PARAPOLVERE RUOTA POST. MOD.15->	DUST SEAL, REAR WHEEL 15 ->
3	49257	1		SEEGER I 43 mm	CIRCLIP D. 43 INTERNAL
4	03071	3		CUSCINETTO RUOTA ANTER. + POSTER.	BUSH, FRONT WHEEL MA50 61905
5	70240	1		DIST.INT.MOZZO RUOTA PST.15 3C 114,2x31 SP2.7	SPACER INT.REAR WHEEL M.15->
6	49355	4		VITE TE F/R 6X16 Ch.8	BOLT 6X16 T.8
7	69388	1		DISCO FRENO POSTERIORE 240X4 TM	
8	70027	1		FERMA COPERTURA POST. 1.85	STOPPER 1,85, TUBE
9	49640	1		DADO M 8 FLANGIATO CHIAVE 12	NUT 8mm, FLANGE
10	70146.15	1		CERCHIO PST. CPL 19x1.85 2015 BLU	REAR RIM ASSY 19x1.85 MY 15->
11	80152	1		CAMERA ARIA POSTERIORE 19	TUBE, TYRE 19
12	70038	1		FLAP RUOTA POSTERIORE 19	FLAP REAR WHEEL 19
13	70054	1		CERCHIO POST 19x1.85 TAKASAGO BLU	REAR RIM 1.85x19 Takasago
14	70259	18		RAGGIO R.PST.4.0/3.3/4.0 X 204	SPOKE R.WHEEL 4.0/3.3/4.0 X204
15	70258	18		RAGGIO R.PST.4.0/3.3/4.0 X 211	SPOKE R.WHEEL 4.0/3.3/4.0 X211
16	70062	36		NIPPLO ACCIAIO 4	SPOKE NIPPLE 4 mm
17	70316	1		MOZZO POST NUDO VMX MY2021	
18	49643	9		DADO M 8 BASSO AUTOBLOCCANTE	NUT 8mm, LOW SELF-LOCKING
19	49611	9		RONDELLA ACCIAIO 8	WASHER STEEL 8mm
20	49421	9		VITE TSEI 8X25	BOLT TSEI 8X25
21	70103.53	1		CORONA CATENA Z 53 M. 86/->	SPROCKET 53T, REAR, M.86/->
21	70290.48	1		CORONA CATENA Z 48 M. 86/-> ZF	SPROCKET 48T MY 86-> ZF
21	70290.49	1		CORONA CATENA Z 49 M. 86/-> ZF	SPROCKET 49T MY 86-> ZF
21	70290.50	1		CORONA CATENA Z 50 M. 86/-> ZF	SPROCKET 50T MY 86-> ZF
21	70290.51	1		CORONA CATENA Z 51 M. 86/-> ZF	SPROCKET 51T MY 86-> ZF
21	70290.52	1		CORONA CATENA Z 52 M. 86/-> ZF	SPROCKET 52T MY 86-> ZF
21	70291.49	1		CORONA BLU/NERA ALLU/ACCIAIO Z49 ZF	SPROCKET BLUE/BLACK ALU/STEEL 49 T ZF
21	70291.50	1		CORONA BLU/NERA ALLU/ACCIAIO Z50 ZF	SPROCKET BLUE/BLACK ALU/STEEL Z50 ZF



2T125MX26-T
2T 125 MX ES - FRAME

RUOTA POSTERIORE 19x1.85
REAR WHEEL 19x1.85

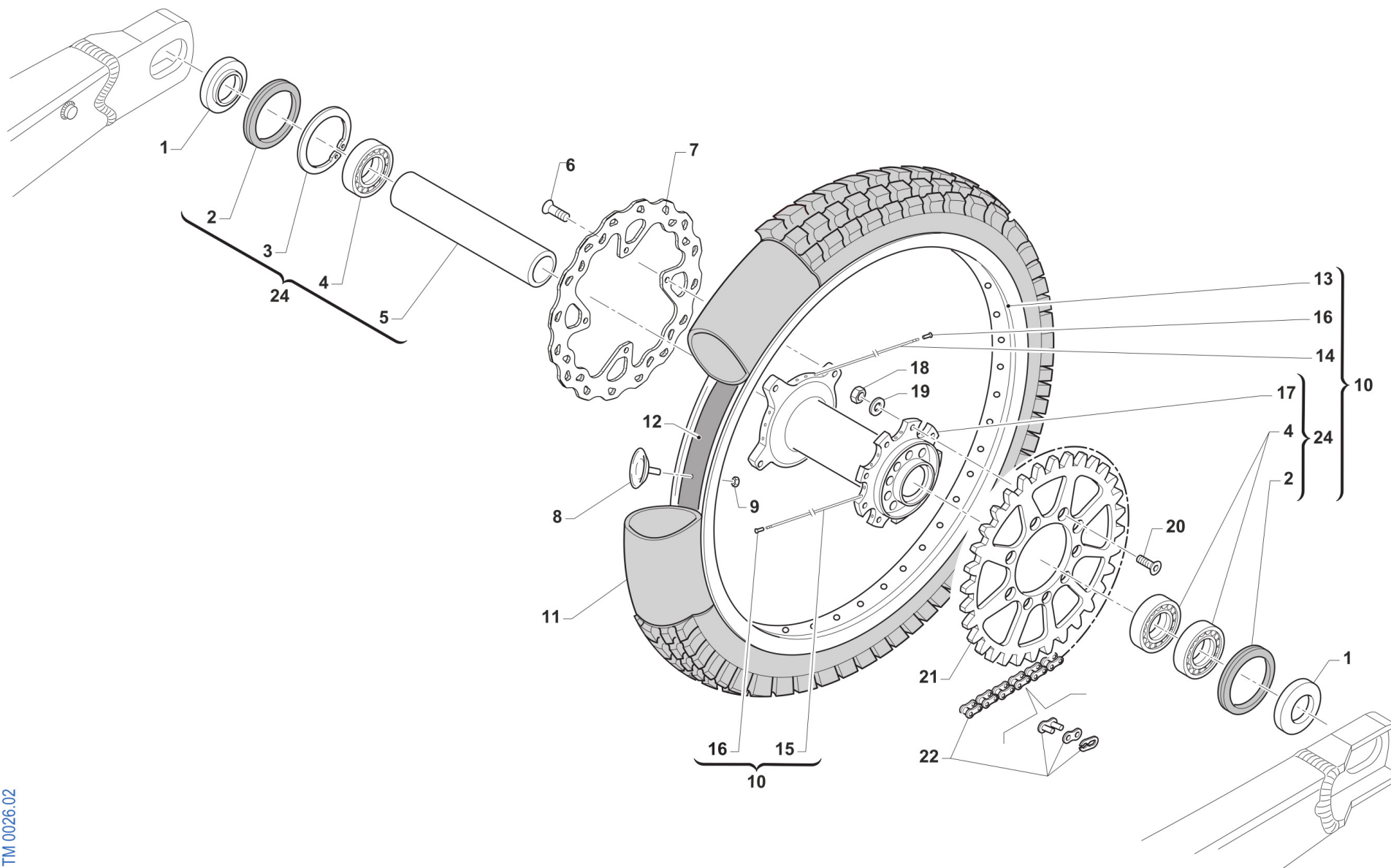
12

Pos.	Codice	Q.tà	Note	Descrizione	Description
21	70291.51	1		CORONA BLU/NERA ALLU/ACCIAIO Z51 ZF	SPROCKET BLUE/BLACK ALU/STEEL 51T ZF
21	70291.52	1		CORONA BLU/NERA ALLU/ACCIAIO Z52 ZF	SPROCKET BLUE/BLACK ALU/STEEL 52 T ZF
22	70351	1		CATENA RK 520 MXU L114 CL W/CLIP	
22	70352	1		CATENA RK 520 MXU L116 CL W/CLIP	
22	70353	1		CATENA RK 520 MXU L120 CL W/CLIP	
24	70119.15	1		MOZZO POSTERIORE 2015 CPL	REAR HUB 2015 -> ASSY



2T125MX26-T
2T 125 MX ES - FRAME

RUOTA POSTERIORE 19x2.15
REAR WHEEL 19x2.15



TM 0026.02



2T125MX26-T
2T 125 MX ES - FRAME

RUOTA POSTERIORE 19x2.15
REAR WHEEL 19x2.15

12

Pos.	Codice	Q.tà	Note	Descrizione	Description
1	70241	2		DISTANZ. RUOTA PST. 2015 DX/SX	COLLAR REAR WHEEL LE.RI. 15->
2	04074	2		PARAPOLVERE RUOTA POST. MOD.15->	DUST SEAL, REAR WHEEL 15 ->
3	49257	1		SEEGER I 43 mm	CIRCLIP D. 43 INTERNAL
4	03071	3		CUSCINETTO RUOTA ANTER. + POSTER.	BUSH, FRONT WHEEL MA50 61905
5	70240	1		DIST.INT.MOZZO RUOTA PST.15 3C 114,2x31 SP2.7	SPACER INT.REAR WHEEL M.15->
6	49355	4		VITE TE F/R 6X16 Ch.8	BOLT 6X16 T.8
7	69388	1		DISCO FRENO POSTERIORE 240X4 TM	
8	70028	1		FERMA COPERTURA POST. 2.15	STOPPER 2.15
9	49640	1		DADO M 8 FLANGIATO CHIAVE 12	NUT 8mm, FLANGE
10	70148.15	1		CERCHIO PST. CPL 19x2.15 M15->	RIM, REAR ASSY 19x2.15 M15->
11	80152	1		CAMERA ARIA POSTERIORE 19	TUBE, TYRE 19
12	70038	1		FLAP RUOTA POSTERIORE 19	FLAP REAR WHEEL 19
13	70053	1		CERCHIO POST 19x2.15 TAKASAGO BLU	REAR RIM 2.15x19 Takasago
14	70259	18		RAGGIO R.PST.4.0/3.3/4.0 X 204	SPOKE R.WHEEL 4.0/3.3/4.0 X204
15	70258	18		RAGGIO R.PST.4.0/3.3/4.0 X 211	SPOKE R.WHEEL 4.0/3.3/4.0 X211
16	70062	36		NIPPLO ACCIAIO 4	SPOKE NIPPLE 4 mm
17	70316	1		MOZZO POST NUDO VMX MY2021	
18	49643	9		DADO M 8 BASSO AUTOBLOCCANTE	NUT 8mm, LOW SELF-LOCKING
19	49611	9		RONDELLA ACCIAIO 8	WASHER STEEL 8mm
20	49421	9		VITE TSEI 8X25	BOLT TSEI 8X25
21	70103.53	1		CORONA CATENA Z 53 M. 86/->	SPROCKET 53T, REAR, M.86/->
21	70290.48	1		CORONA CATENA Z 48 M. 86/-> ZF	SPROCKET 48T MY 86-> ZF
21	70290.49	1		CORONA CATENA Z 49 M. 86/-> ZF	SPROCKET 49T MY 86-> ZF
21	70290.50	1		CORONA CATENA Z 50 M. 86/-> ZF	SPROCKET 50T MY 86-> ZF
21	70290.51	1		CORONA CATENA Z 51 M. 86/-> ZF	SPROCKET 51T MY 86-> ZF
21	70290.52	1		CORONA CATENA Z 52 M. 86/-> ZF	SPROCKET 52T MY 86-> ZF
21	70291.49	1		CORONA BLU/NERA ALLU/ACCIAIO Z49 ZF	SPROCKET BLUE/BLACK ALU/STEEL 49 T ZF
21	70291.50	1		CORONA BLU/NERA ALLU/ACCIAIO Z50 ZF	SPROCKET BLUE/BLACK ALU/STEEL Z50 ZF



2T125MX26-T
2T 125 MX ES - FRAME

RUOTA POSTERIORE 19x2.15
REAR WHEEL 19x2.15

12

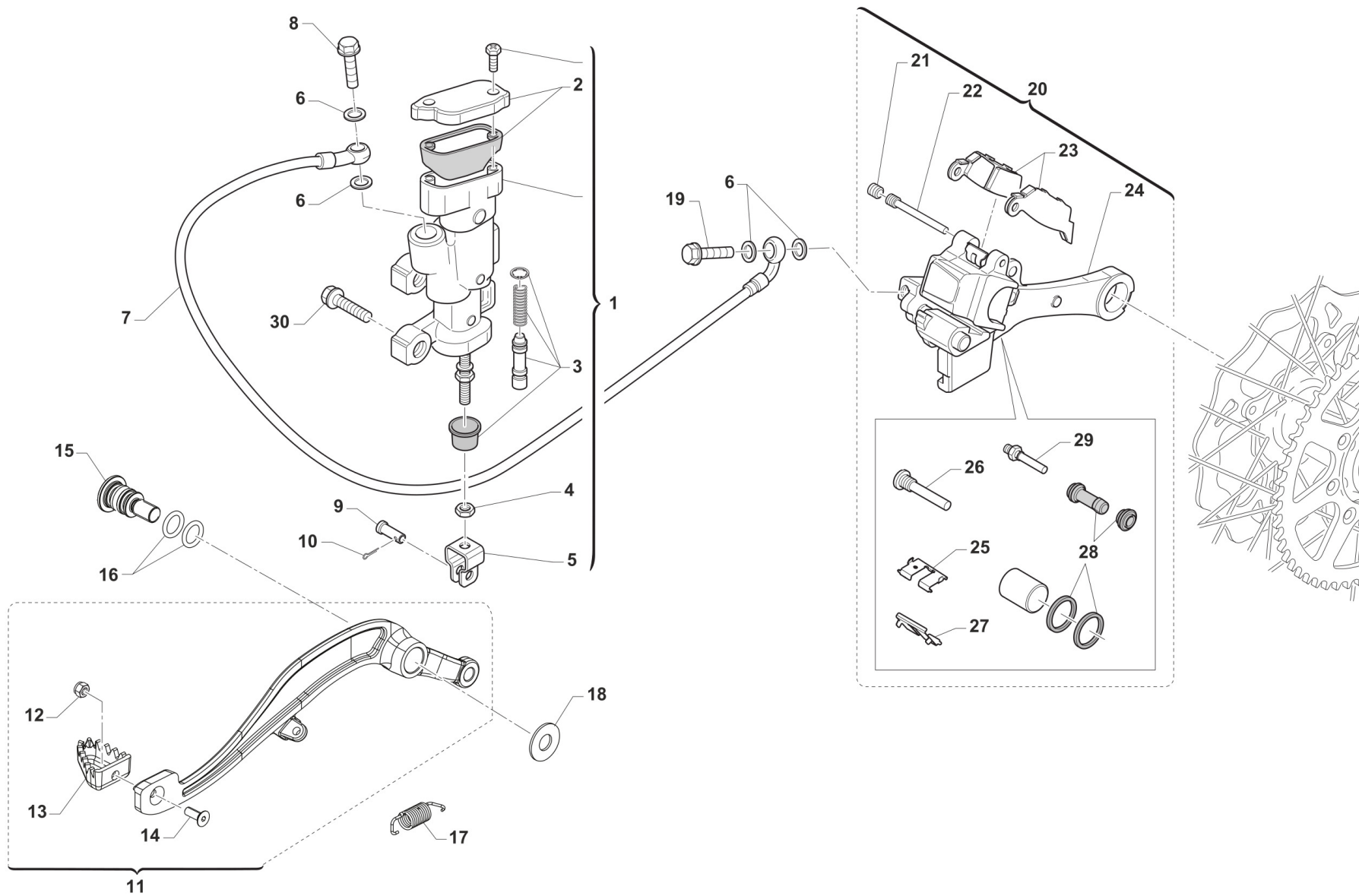
Pos.	Codice	Q.tà	Note	Descrizione	Description
21	70291.51	1		CORONA BLU/NERA ALLU/ACCIAIO Z51 ZF	SPROCKET BLUE/BLACK ALU/STEEL 51T ZF
21	70291.52	1		CORONA BLU/NERA ALLU/ACCIAIO Z52 ZF	SPROCKET BLUE/BLACK ALU/STEEL 52 T ZF
22	70351	1		CATENA RK 520 MXU L114 CL W/CLIP	
22	70352	1		CATENA RK 520 MXU L116 CL W/CLIP	
22	70353	1		CATENA RK 520 MXU L120 CL W/CLIP	
24	70119.15	1		MOZZO POSTERIORE 2015 CPL	REAR HUB 2015 -> ASSY



2T125MX26-T
2T 125 MX ES - FRAME

FRENO POSTERIORE
REAR BRAKE

13



TM 0615.01



2T125MX26-T
2T 125 MX ES - FRAME

FRENO POSTERIORE
REAR BRAKE

13

Pos.	Codice	Q.tà	Note	Descrizione	Description
1	69345	1		POMPA FRENO POST 05/-> INTEGR (OBLO' 2020)	
2	69321	1		KIT TAPPO/GUARN. POMPA PST NIS	CAP AND RUBBER
3	69084.05	1		KIT REV. PIST.POMPA POST.05/->	KIT, REV. REAR MASTER CYL.05->
4	49636	1		DADO M 6	NUT M6
5	69125	1		FORCHETTINA POMPA FRENO POS.05	FORK, REAR BRAKE 05
6	69034	4		RONDELLA X BULLONE FREN B22001	WASHER B22001, BRAKE HOSE
7	69379	1		TUBO FRENO POSTERIORE 2T/4T M.2022	
8	69094	1		BULLONE 10X1.25 T.FRENO NISSIN 03	BOLT,10X1,25 BRAKE HOSE NISSIN
9	69012.05	1		PERNO SNODO FRENO POST. MY 05->	PIN REAR BRAKE MASTER CYL. MY 05->
10	68997	1		COPIGLIA PEDALE FRENO	COTTER PIN BRAKE PEDAL
11	69000.22	1		PEDALE F.POST 2T 125/144 + 4T 250/300 MY 22	BRAKE PEDAL, REAR 2S 125/144 + 4S 250/300 MY 22
12	49629	1		DADO M 5 ALTO AUTOBLOCCANTE	NUT 5mm, HIGHT SELF-LOCKING
13	69002.99	1		PARTE ANT.PED.FRENO POST.99/->	PIT, RR BRAKE PEDAL 99/->
14	49400	1		VITE TSEI 5X14	BOLT TSEI 5x14
15	F49063	1		VITE FISSAGGIO PEDALE FRENO MY22	
16	12110	2		O RING PEDALE FRENO POST. MY22->	
17	F16482	1		MOLLA PEDALE FRENO MY 22	
18	F48403	1		RONDELLA PEDALE FRENO MY22	
19	69094	1		BULLONE 10X1.25 T.FRENO NISSIN 03	BOLT,10X1,25 BRAKE HOSE NISSIN
20	69185.15	1		PINZA FRENO POST. 15-> NISSIN	BRAKE CALIPER, REAR, M. 15/->
21	69087	1		GRANO PERNO 69088 NISSIN 01/11	SCREW PLUG FOR BRAKE PIN 01/07
22	69088	1		PERNO PAST. POST NISSIN 01/11	PIN, RR BRAKE NISSIN M. 01/->
23	69096.05	1		PASTIGLIE FRENO POST. M.05-> NISSIN	PAD ASSY, RR BRAKE NISSIN MY 05->
24	69285.15	1		SUPPORTO PINZA D. 25 FRENO POST NISSIN 15/->	HOLDER, REAR BRAKE CALIPER
25	69309	1		PIASTR.FERMA P.NISSIN RETAINER	RETAINER BRAKE PADS NISSIN
26	69257	1		PERNO/VITE PINZA POST.01/->	PIN, RR BRAKE CALIPER 01-> NI.
27	69086	1		LAMIERINO PINZA POST NIS 01/->	PLATE, REAR BRAKE CALIPER 01->
28	69258	1		KIT REV.GOMM. PINZA PST 05/->	REAR BRAKE CALIPER RUBBER REVIEW 05/->



2T125MX26-T
2T 125 MX ES - FRAME

FRENO POSTERIORE
REAR BRAKE

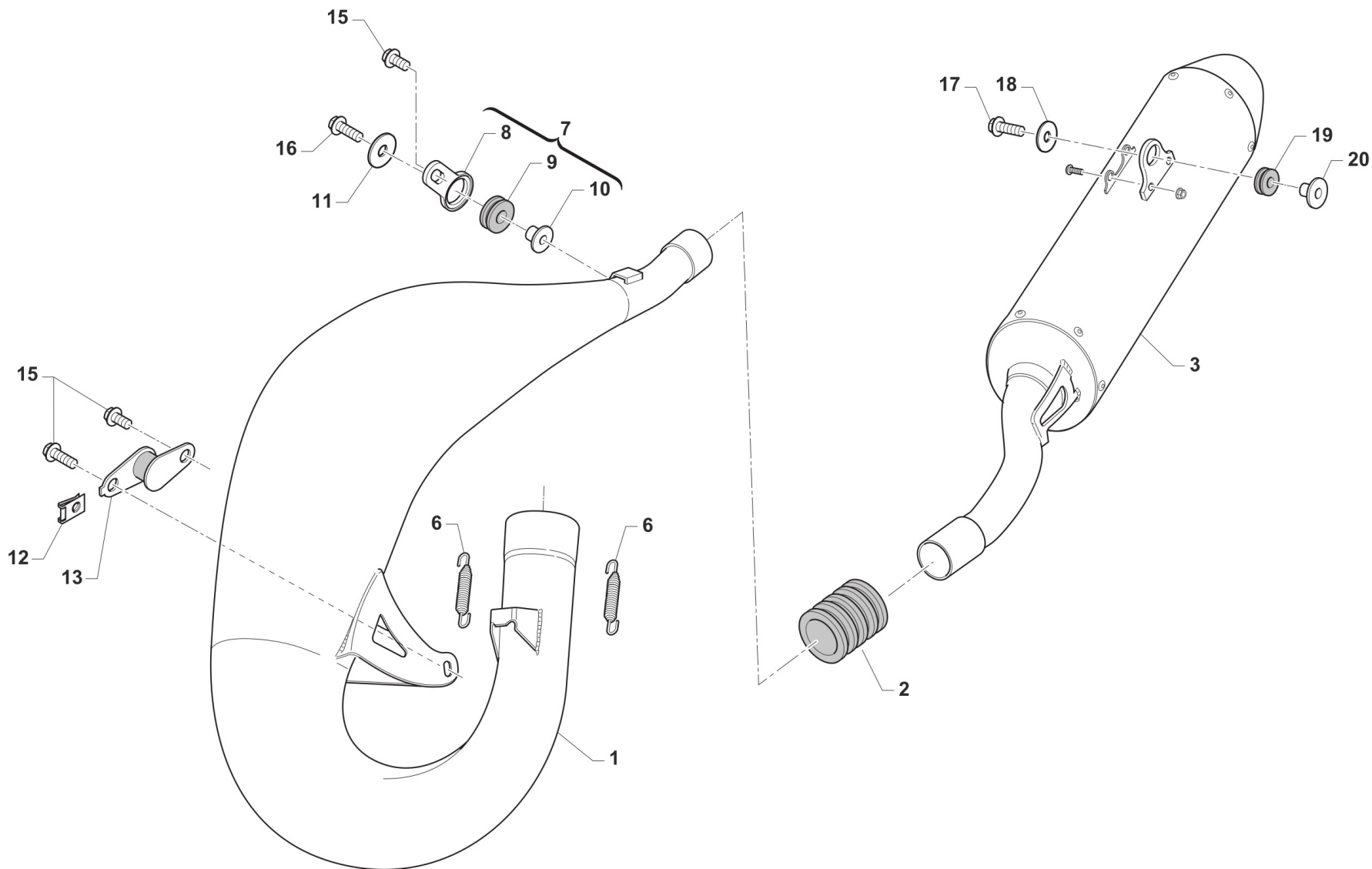
13

Pos.	Codice	Q.tà	Note	Descrizione	Description
29	69232	1		PERNO X PINZA FRENO POST.05/12	PIN, RR BRAKE CALIPER 05/12
30	49574	2		VITE TBCE 6 x 12 PLASTICHE	BOLT TBCE 6x12



2T125MX26-T
2T 125 MX ES - FRAME

SCARICO
EXHAUST SYSTEM



TM 0612.03



2T125MX26-T
2T 125 MX ES - FRAME

SCARICO
EXHAUST SYSTEM

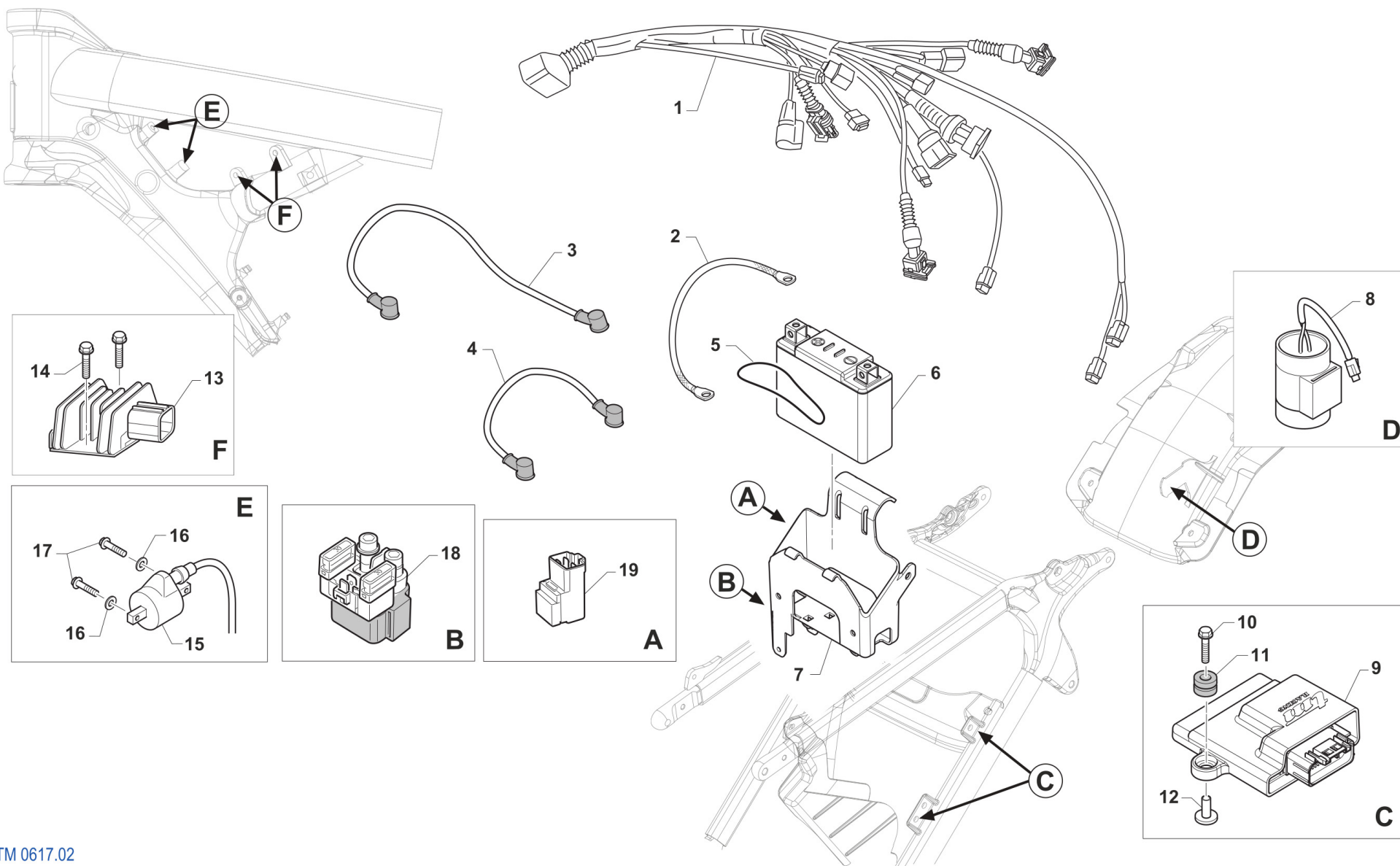
14

Pos.	Codice	Q.tà	Note	Descrizione	Description
1	27291	1		MARMITTA 125 MX 2025	EXHAUST 2S 125 MX ES MY 25
2	21019	1		MANICOTTO SILENZIATORE SILICONE 97 ->	RUBBER, SILENCER/PIPE 97/->
3	27292	1		SILENZIATORE 125 MX 2025	
6	16003.2	2		MOLLA TR.SCARICO BICONICA F.3	SPRING. EXHAUST WIR. 3mm
7	21094	1		SILENT BLOCK 05 PIAST+GOMM+BOC	SILENT BLOCK 05 ASSY PL+RU+BU
8	21093	1		PIASTRINO SILENT BLOCK 05 NUDO	PLATE, SILENT BLOCK 05
9	21102	1		GOMMINO ANTIV.RADIAT.SILENZ. MY 94->	RUBBER, GROMMET RADIATOR and SILENC.
10	26074	1		BOCCOLINA X SILENT-BLOCK 21094	BUSH FOR SILENT-BLOCK COD21094
11	26084	1		RONDELLA PARAF ANT. 24x2 M.08	WASHER, FRONT FENDER 24 X 2
12	49803	1		PRESTOLA SILENT BLOCK MARMITTA	RANGE CHANGE METAL NUT M6
13	21111	1		SILENT BLOCK MARMITTA M.94->	SILENT BLOCK EXHAUST PI.M.94->
15	49355	3		VITE TE F/R 6X16 Ch.8	BOLT 6X16 T.8
16	49356	1		VITE TE F/R 6X20 Ch.8	BOLT 6X20 T.8
17	49898	1		VITE TE F/R 8X30 Ch.10	
18	49607	1		RONDELLA 8X24	WASHER 8x24



2T125MX26-T
2T 125 MX ES - FRAME

CABLAGGI
EXHAUST



TM 0617.02



2T125MX26-T
2T 125 MX ES - FRAME

CABLAGGI
EXHAUST

15

Pos.	Codice	Q.tà	Note	Descrizione	Description
1	68325	1		CABLAGGIO 2T 125 MX ES CARB. MY 2025	WIRING, MAIN, 2S 125 MX ES CARB. MY 25
2	50267	1		TRECCIA DI MASSA E.S. MY 22->	
3	68231	1		CAVO 2T 250/300 ES BATTERIA MOD. 2019	BLACK BATTERY CABLE
4	F68213	1		CAVO BATTERIA ROSSO M. 2015	WIRE BATTERY RED M.15->
5	12001	1		O RING TESTATA CR 89/K2/K3/KF	
6	68234	1		BATTERIA ALIANT YLP09X 12V EQ. 8AH	BATTERY LITHIUM ION <100WH YLP09X 12V8AH
7	F68297	1		SUPPORTO BATTERIA	SUPPORT, BATTERY
8	F15557	1		CONDENSATORE SHINDENGEN ADP19	CAPACITOR SHINDENGEN ADP19
9	08127.0	1		CENTRALINA MX/EN 125 2T CARB. 2025	
10	49174	2		VITE TE/FLANG. 5 x 25 UNI 6921	
11	21045	2		GOMMINO C/CHILOM. & CDI 08/11	RUBBER, SPEEDOMETER/CDI 08/13
12	F26498	2		BOCCOLA CENTRALINA INIEZIONE F.5 H 12,5	
13	F15559	1		REGOLATORE KOKUSAN RX4513 ZERO SOSTITUISCE COD. F15476	REGULATOR KOKUSAN RX4513 REPLACE CODE F15476
14	49356	2		VITE TE F/R 6X20 Ch.8	BOLT 6X20 T.8
15	F15458	1		BOBINA KOKUSAN 4T MX PICCOLA	COIL, IGNITION KOK IG5132
16	49603	2		RONDELLA M 6,4 X 12 X 1,6	WASHER 6x12
17	49357	2		VITE TE F/R 6X25 Ch.8	BOLT 6X25 T.8
18	F68102	1		RELAY AVV. ELETTRICO 2 e 4 TEMPI	RELAY, ELECTRIC STARTER
19	F68212	1		RELAY AVV. ELETTRICO PAN. M2015->	RELAY EL. STARTER M.-> 15

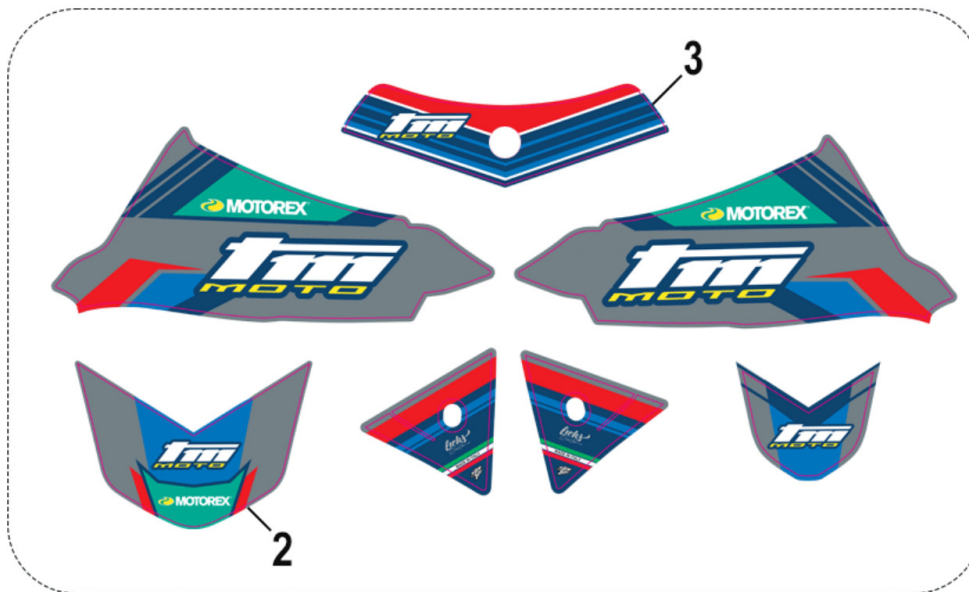


2T125MX26-T
2T 125 MX ES - FRAME

KIT ADESIVI MX

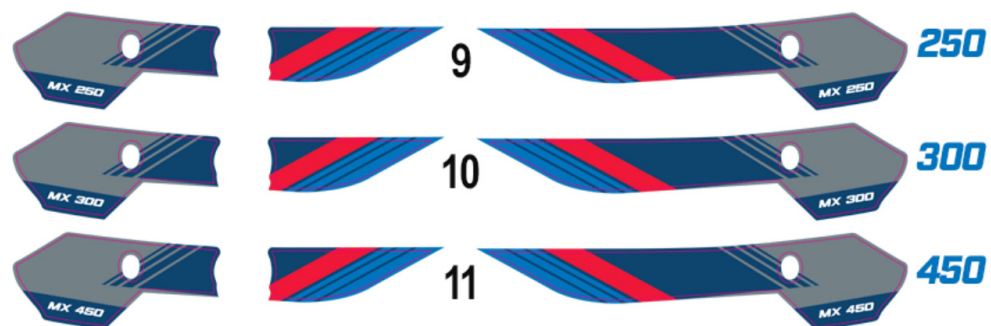


4



2T-2S

4T-4S





2T125MX26-T
2T 125 MX ES - FRAME

KIT ADESIVI MX

16

Pos.	Codice	Q.tà	Note	Descrizione	Description
1	94317.26	1		KIT ADESIVI - TM MOTO - M.2026 S/POST.	
2	94037.26	1		ADESIVO PARAFANGO ANT. -TM MOTO- MY26	
3	94160.26	1		ADESIVO P.NUM.ANT. -TM MOTO- MY26	
4	94173	1		KIT ADESIVI FORC. KAYABA NERI	DECAL KYB BLACK
5	94331.125	1		KIT AD. LAT. P.NUM 2T MX 125 TM MOTO MY26	
6	94331.144	1		KIT AD. LAT. P.NUM 2T MX 144 TM MOTO MY26	
7	94331.250	1		KIT AD. LAT. P.NUM 2T MX 250 TM MOTO MY26	
8	94331.300	1		KIT AD. LAT. P.NUM 2T MX 300 TM MOTO MY26	
9	94332.250	1		KIT AD. LAT. P.NUM 4T MX 250 TM MOTO MY26	
10	94332.300	1		KIT AD. LAT. P.NUM 4T MX 300 TM MOTO MY26	
11	94332.450	1		KIT AD. LAT. P.NUM 4T MX 450 TM MOTO MY26	

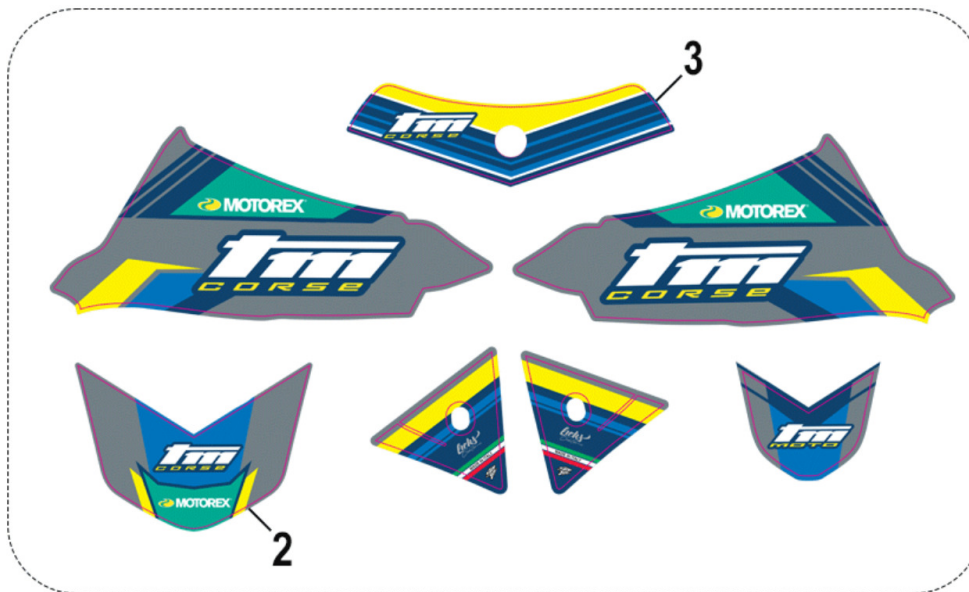


2T125MX26-T
2T 125 MX ES - FRAME

KIT ADESIVI MX CORSE



4



2T-2S

4T-4S





2T125MX26-T
2T 125 MX ES - FRAME

KIT ADESIVI MX CORSE

17

Pos.	Codice	Q.tà	Note	Descrizione	Description
1	94318.26	1		KIT ADESIVI - TM CORSE - M.2026 S/POST.	
2	94298.26	1		ADESIVO PARAFANGO ANT. -TM CORSE- MY26	
3	94314.26	1		ADESIVO PORTAFARO -TM CORSE- MY26	
4	94173	1		KIT ADESIVI FORC. KAYABA NERI	DECAL KYB BLACK
5	94338.125	1		KIT AD. LAT. P.NUM 2T MX 125 TM CORSE MY26	
7	94338.250	1		KIT AD. LAT. P.NUM 2T MX 250 TM CORSE MY26	
8	94338.300	1		KIT AD. LAT. P.NUM 2T MX 300 TM CORSE MY26	
9	94339.250	1		KIT AD. LAT. P.NUM 4T MX 250 TM CORSE MY26	
10	94339.300	1		KIT AD. LAT. P.NUM 4T MX 300 TM CORSE MY26	
11	94339.450	1		KIT AD. LAT. P.NUM 4T MX 450 TM CORSE MY26	