



2T100MXJ26-M

2T 100 MX JUNIOR

2S 100 MX JUNIOR

10/11/2025

TM MOTO SRL UNIPERSONALE - VIA FANO, 6 - 61122 PESARO – ITALY

WWW.TM-MOTO.IT



2T100MXJ26-M
2T 100 MX JUNIOR - 2S 100 MX JUNIOR

SOMMARIO
TABLE OF CONTENTS

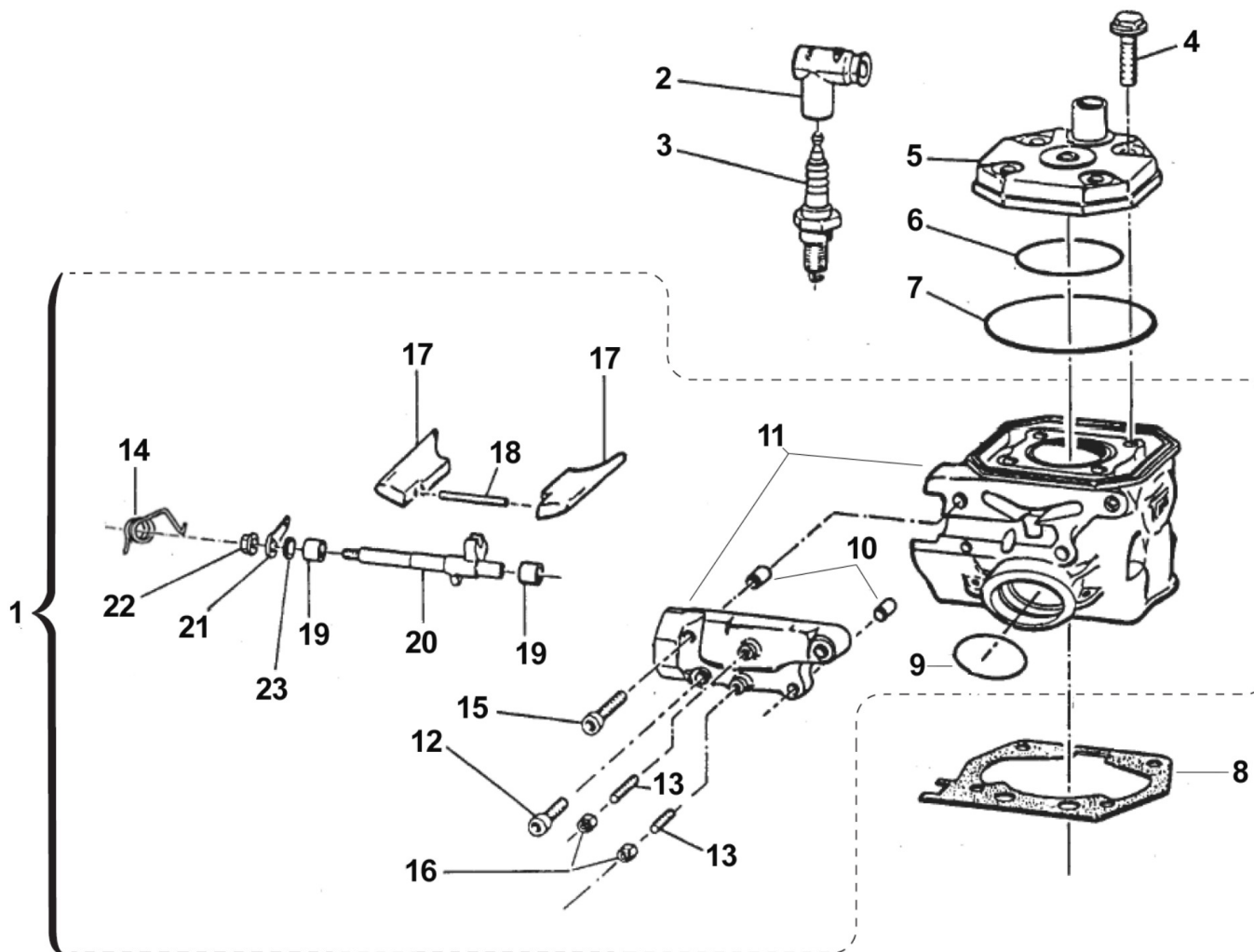
CILINDRO - CYLINDER.....	3
ALBERO MOTORE 20 - PISTONE - CRANKSHAFT 20 - PISTON.....	5
ACCENSIONE - IGNITION.....	7
CENTRIFUGA E CARTER FRIZIONE - WATER PUMP - CLUTCH COVERS.....	9
FRIZIONE - CLUTCH.....	12
BASAMENTO E PACCO - CASE AND REEDS BOX.....	15
MESSA IN MOTO - KICK STARTER.....	17
COMANDO CAMBIO - GEARSHIFT MECHANISM.....	19
CAMBIO - GEAR BOX.....	22
VITI COPERCHI.....	25
VITI BASAMENTO.....	27



2T100MXJ26-M
2T 100 MX JUNIOR - 2S 100 MX JUNIOR

CILINDRO
CYLINDER

1



TM85-001.1



2T100MXJ26-M
2T 100 MX JUNIOR - 2S 100 MX JUNIOR

CILINDRO
CYLINDER

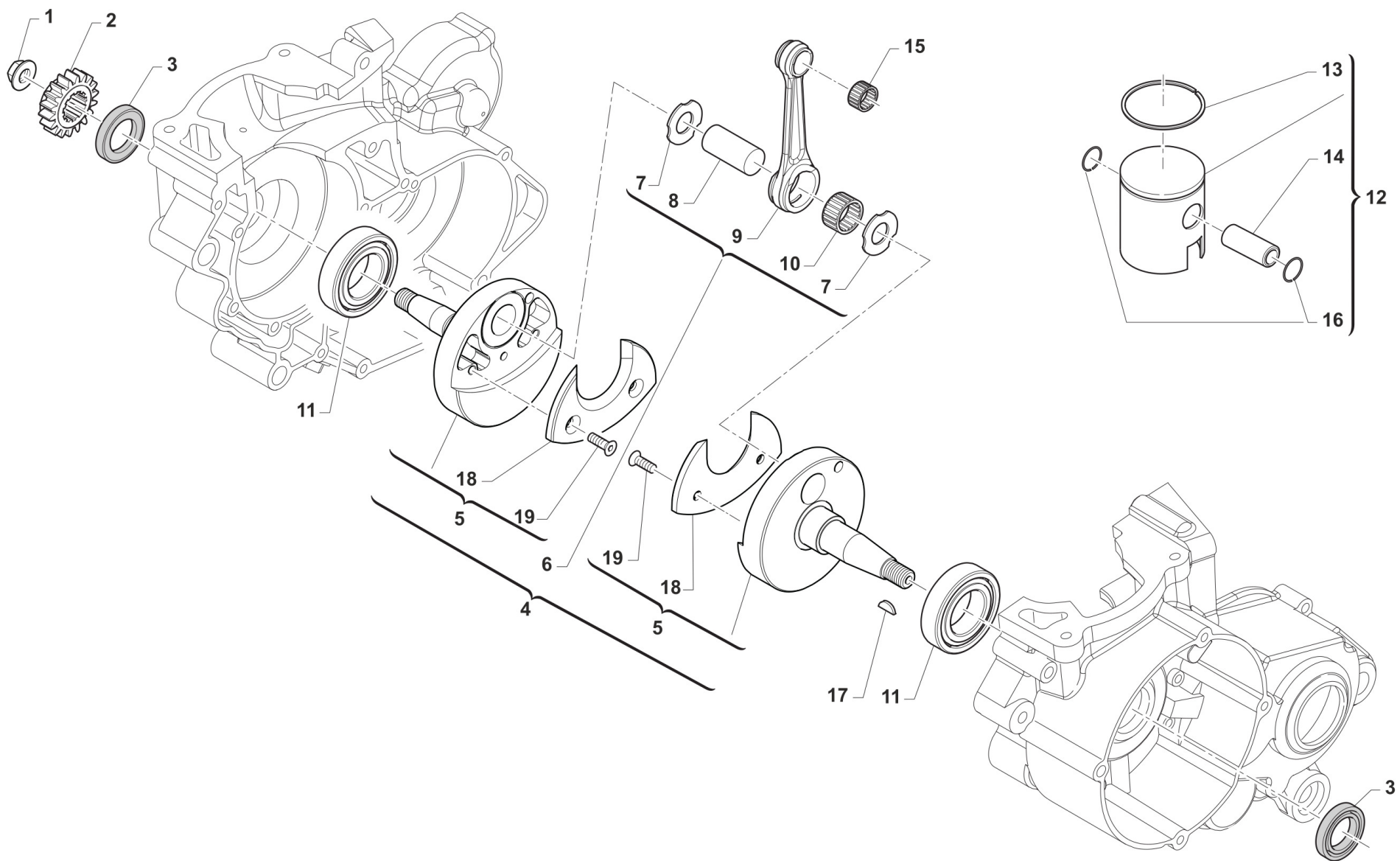
1

Pos.	Codice	Q.tà	Note	Descrizione	Description
1	01084.19	1		CILINDRO 100 CC CPL MY 2019	
2	21087	1		PIPETTA CANDELA SILICONE SCHERMATO 5K	
3	06028	1		CANDELA NGK BR9ECMIX	SPARK PLUG NGK BR9ECMIX 85cc J
4	49335	4		VITE TE/FLANG. 8X35	BOLT 8X35 FLANGED
5	02090	1		TESTA 100 CR	HEAD 100 MX
6	12005	1		O RING TESTA 85cc PICC. 91/->	O-RING, 56,08 X 1,87
6	12005.1	1		O RING INTER.TESTA 85cc VITON	O-RING HEAD 85 VITON
7	12011	1		O RING CIL.80/85 ESTERNO 03	O-RING, EXTERNAL CYL.80/85cc
8	05519	1		GUARN. B/C 80/85 M.91/-> 0,2	GASKET, CYL 85cc M.91/07 0,20
8	05519.05	1		GUARN. B/C 80/85 M.91/-> 0,05	GASKET, CYL.85cc M.91-> 0,05
8	05520	1		GUARN. B/C 80/85 M.91/-> 0,3	GASKET, CYL 85cc M.91/-> 0,30
8	05521	1		GUARN. B/C 80/85 M.91/-> 0,4	GASKET, CYL 85cc M.91/07 0,40
8	05522	1		GUARN. B/C 80/85 M.91/-> 0,5	GASKET, CYL 85cc M.91/09 0,50
9	12015	1		O RING SCAR.80cc91/02+BOC.CARB	O-RING, EXHAUST 80cc M.91/02
10	26041	2		GRANO CENTRAGGIO D.7X8 F.5,2	DOWEL PIN 7 x 8 Hole 5,2
11	01090.19	1		CILINDRO 100 CR MY 19 NUDO	
12	49474	2		VITE TCEI 5X16 UNI 5931	BOLT TCEI 5X16
13	49705	2		GRANO 5X25 VALV.SC.125 SOPRA	GRUB SCREW 5 X 25
14	16057	1		MOLLA ALBERINO VALV.85 M13 1.5	SPRING EXH.VALVE SHAFT 85cc1,5
15	49476	2		VITE TCEI 5X20 UNI 5931-912	BOLT TCEI 5X20
16	49633	2		DADO M 5 BASSO AUTOBLOCCANTE	NUT 5mm, LOW SELF-LOCKING
17	22100.19	1		VALVOLE GHIGL. 100cc MY 2019	EXHAUST VALVE 100cc MY19
18	19009	1		RULLINO 4X34.8 V.SC.125 97/01	PIN 4X34,8 EXH.VALVE 125 97/01
19	19045	2		ASTUCCIO A RULLI HK 0810	NEEDLE BUSH HK 0810
20	28026	1		ALBERINO COM VAL.125/250 99/11	SHAFT P.VALVE 125/250 M. 99/05
21	28039	1		PIASTRINO SUP.V 80/125 99/06 250 97/05	UP PLATE, VALVE 80/125 99/06
22	49701	1		DADO M 5 FLANGIATO VALV.	NUT 5mm, FLANGED VALV.
23	04006	1		PARAOLIO VALV.SCARIC.G.8x12x3	OIL SEAL 8 x 12 x 3



2T100MXJ26-M
2T 100 MX JUNIOR - 2S 100 MX JUNIOR

ALBERO MOTORE 20 - PISTONE
CRANKSHAFT 20 - PISTON



TM0173



2T100MXJ26-M
2T 100 MX JUNIOR - 2S 100 MX JUNIOR

ALBERO MOTORE 20 - PISTONE
CRANKSHAFT 20 - PISTON

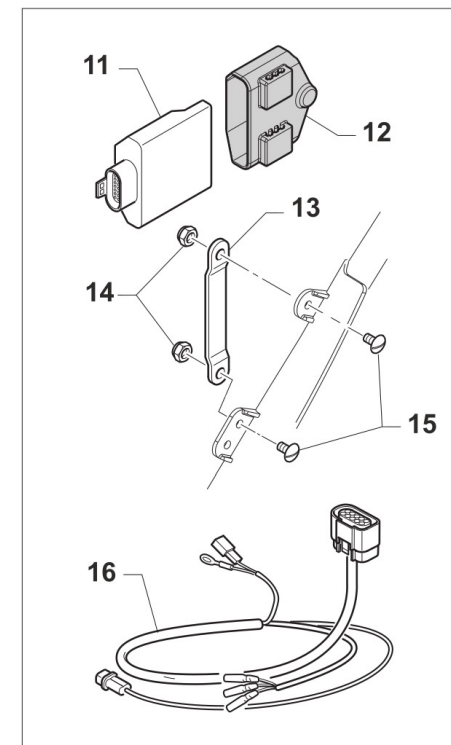
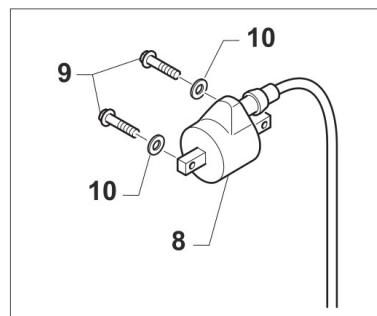
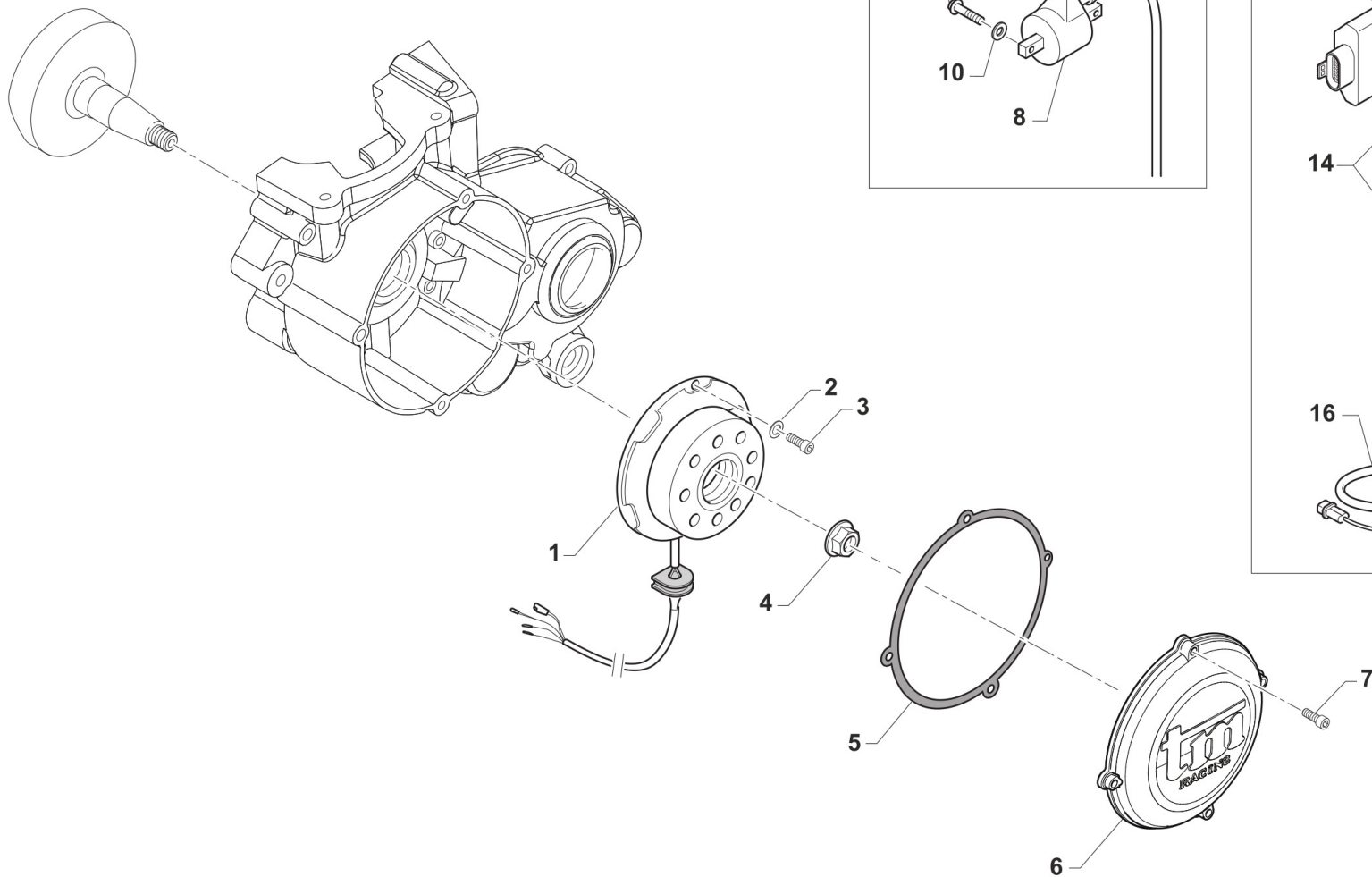
2

Pos.	Codice	Q.tà	Note	Descrizione	Description
1	49056	1		DADO ACCENSIONE MX/E 12 x 1.25	NUT, IGNITION 100cc
2	40055	1		PIGNONE COPPIA PRIM.Z15 80 M06	PRIMARY DRIVE GEAR 15T 80 M.06
3	04035	2		PARAOLIO 20x30x7 PTFE	OIL SEAL 20 x 30 x 7 PTFE
4	18285	1		ALBERO MOTORE CPL 85/100 USA 20MM	
5	18284	1		COPPIA SEMIALBERI 85/100 USA 20MM	
6	18148	1		BIELLA 85cc D.20 USA CPL	
7	18061	2		RONDELLA ARGENTATA D.20X34X1	WASHER, SILVER ID.20
8	18271	1		ASSE ACCOP. 20 X 48 FORO 5 [85/112 CC]	CON-ROD PIN 20 X 48 H. 5mm
9	18131	1		BIELLA 85cc 2019 ASSE D.20mm L.95 NUDA	
10	17020	1		GABBIA ARGENTATA D. 20 IKO	SILVER CAGE D.20
11	03020	2		CUSCINETTO RULLI NJ205ET2XC3 (BANCO 85/100 M.18)	BUSH CRANKSHAFT 85/100->18 NJ205ET2XC3
12	10411	1		PISTONE 51,94 100 CC CPL	PISTON, 51,94 100cc ASSY
12	10412	1		PISTONE 51,95 100 CC CPL	PISTON, 51,95 100cc ASSY
13	11060	1		SEGMENTO 100 cc CR.52 X 2 (112)	PISTON RING 100cc CR.52X2
14	09003	1		SPINOTTO PISTONE 80/85 M.91/07	PISTON PIN 80/85/100cc M.91/06
15	19030	1		GABBIA SPINOTTO 80 - 85 - 100 cc	TOP END B. 80cc 85cc 100cc
16	09006	2		ANELLINO FERMA SPINOTTO 80/85/100	CLIP, PISTON PIN 80/85/100cc
17	49010	1		CHIAVETTA VOLANO 13x5x3	WOODRUFF KEY
18	18134.3	2		GUANCETTA AL SEMIALBERO 85/100 BIELLA 20 MY 2019	
19	49403U	4		VITE TSEI 6x12 UNBRAK UNI 5933	BOLT TSEI 6X12 UMB.



2T100MXJ26-M
2T 100 MX JUNIOR - 2S 100 MX JUNIOR

ACCENSIONE IGNITION



0178.01



2T100MXJ26-M
2T 100 MX JUNIOR - 2S 100 MX JUNIOR

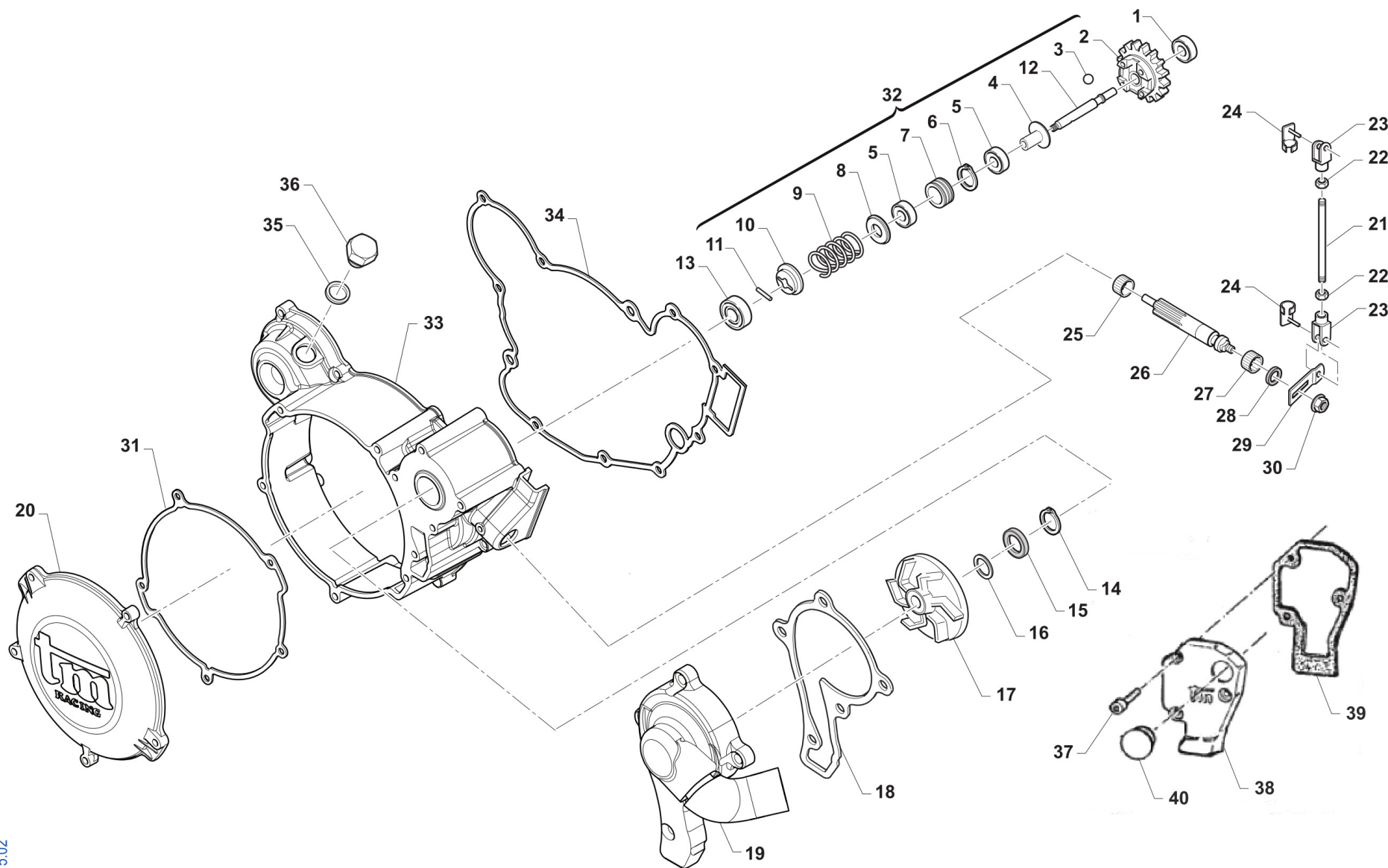
ACCENSIONE
IGNITION

Pos.	Codice	Q.tà	Note	Descrizione	Description
1	15230	1		GENERATORE KOK END 11 MX/E 12	GENERATOR KOK END 11 MX/E 12->
2	49902	2		RONDELLA 6,5X13X3	
3	49484	2		VITE TCEI 6X20	BOLT TCEI 6X20
4	49056	1		DADO ACCENSIONE MX/E 12 x 1.25	NUT, IGNITION 100cc
5	05516	1		GUARN. COP.ACC. 80/125 KOKUSAN	GASKET, KOK.IGNIT.COV. 80/125
6	30211	1		COP. ACC. MX 125/144 06/11 E11	COVER, IGNITION MX 80/125 2006 KOK.
7	49477	4		VITE TCEI 5X25 UNI 5931-912	BOLT TCEI 5X25
8	15206	1		BOBINA KOKUSAN PIC. 2T IG7112	COIL, KOKUSAN 2 STROKE IG7112
9	49357	2		VITE TE F/R 6X25 Ch.8	BOLT 6X25 T.8
10	49603	2		RONDELLA M 6,4 X 12 X 1,6	WASHER 6x12
11	15209.085001	1		CENTRALINA TMEES IG_MX 85_01	ECU TMEES IG_MX 85_01
12	F15562	1		SUPPORTO CENTRALINA KOKUSAN	HOLDER ECU KOKUSAN
13	F26537	1		PIASTR.FISS.SUP.ECU KOK.F15562	PLATE HOLDER UCU KOKUS. F15562
14	49633	2		DADO M 5 BASSO AUTOBLOCCANTE	NUT 5mm, LOW SELF-LOCKING
15	49317	2		VITE TB LARGA 5X10 LAT.SERB.94	BOLT TB LARGE 5X10
16	68120	1		CABLAGGIO CDI KOK 2T 08/10	WIRE ECU KOKUSAN 2S 08/10



2T100MXJ26-M
2T 100 MX JUNIOR - 2S 100 MX JUNIOR

CENTRIFUGA E CARTER FRIZIONE WATER PUMP - CLUTCH COVERS



0175.02



2T100MXJ26-M
2T 100 MX JUNIOR - 2S 100 MX JUNIOR

CENTRIFUGA E CARTER FRIZIONE
WATER PUMP - CLUTCH COVERS

4

Pos.	Codice	Q.tà	Note	Descrizione	Description
1	03025	1		CUSCINETTO 626 C3 POMPA H2O 06	BUSH, WATER PUMP 626 C3
2	40056	1		INGR. VALVOLA CENTRIF. 85 2006	EXHAUST VALVE GEAR 80cc M.06
3	19054	4		SFERA D.12	BALL DIAM. 12 mm
4	40065	1		BUSSOLA PER CENTRIFUGA 10/11	SPIN BUSH 10/11
5	03028	2		CUSCINETTO 61901 MODIFIC 10/11	BUSH, 61901
6	49263	1		SEEGER I 24	SEEGER I 24
7	40059	1		RUOTA DENTATA CENTRIFUGA 10/11	GEAR SPIN WHEEL 10/11
8	48031	1		RONDELLA GUIDA MOLLA ANT.2010	WASHER, SPRING, FRONT
9	16056	1		MOLLA CENTRIFUGA JUNIOR 2013	SPRING, SPIN EXHAUST VALVE J13
10	48024	1		RONDELLA GUIDA MOLLA PST.06(2)	WASHER, SPRING, REAR
11	F19503	1		RULLINO D.3 X 13.8	PIN D.3 X 13,8 F.S.
12	28004	1		ALBERINO POMPA E CENTR.2006	SHAFT, WATERPUMP 2006
13	03014	1		CUSCINETTO 608 ZC3 POMPA SCHER	BUSH, WATER PUMP 608 Z C3
14	49215	1		SEEGER I22 POMPA ACQUA	CIRCLIP D.22 WATER PUMP
15	04017	1		PARAOLIO CENTRIFUGA 06	OIL SEAL 8 X 22 X 7 TC
16	49689	1		RONDELLA 6 X 12 SP. 1.2	WASHER 6x12 sp. 1,2
17	28009	1		GIRANTE POMPA ACQUA 2006/08	IMPELLER, WATER PUMP M.06/->
18	05528	1		GUARN. POMPA ACQUA 125 2006	GASKET WATER PUMP 125cc 2006
19	30194.06	1		COPERCHIO POMPA H2O CR/E 06/->	WATER PUMP COVER MX/E M.2006
20	30187	1		COPERCHIETTO FRIZ. 125 M.2006	COVER, CLUTCH, EXT. 125 06/->
21	28029	1		ASTINA VALVOLA 125 CR/E 93/05	ROD, POWER VALVE 125 M. 93/05
22	49630	2		DADO M 4 (BASSO)	NUT 4mm, LOW
23	49041	2		FORCHETTINA M4 X VALVOLA SC.	FORK, POWER VALVE ROD
24	49042	2		MOLLA BLOCCA FORCHETTINA M4	SPRING, POWER VALVE FORK M4
25	19048	1		ASTUCCIO A RULLI HK 0608	NEEDLE CAGE HK 0608
26	28005	1		ALBERINO COM. VALVOLA SC.06/10	SHAFT, INLET VALVE 2006
27	19044	1		GABBIA A RULLI FRENO POST.	NEEDLE BUSH REAR BRAKE PEDAL
28	F04354	1		PARAOLIO G 12X16X3 POMPA OLIO	OIL SEAL G 12/13/3 OIL PUMP



2T100MXJ26-M
2T 100 MX JUNIOR - 2S 100 MX JUNIOR

CENTRIFUGA E CARTER FRIZIONE
WATER PUMP - CLUTCH COVERS

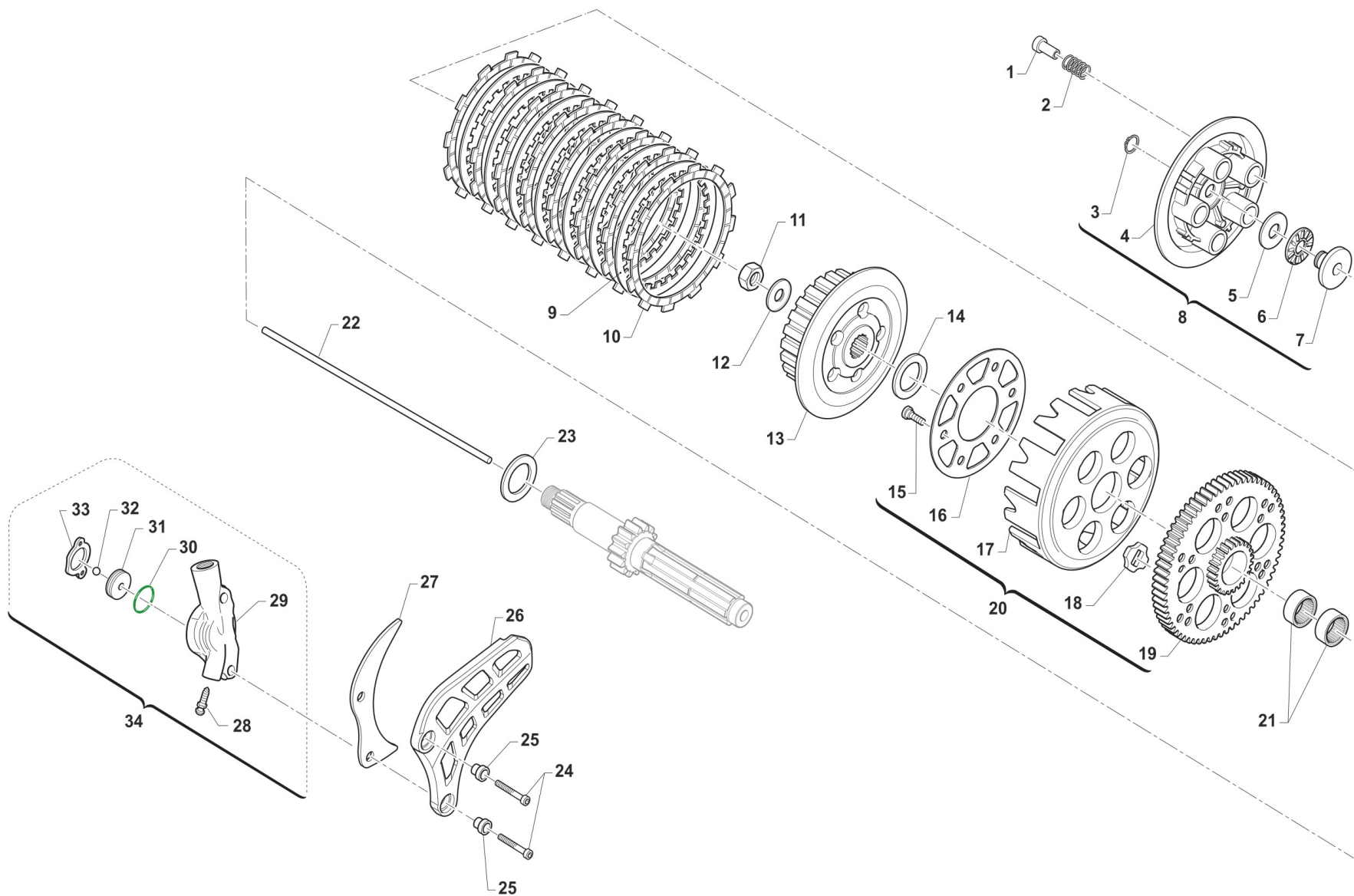
4

Pos.	Codice	Q.tà	Note	Descrizione	Description
29	28043	1		PIASTRINO INF. VALV. 125/2006	VALVE LOW PLATE 125/2006
30	49701	1		DADO M 5 FLANGIATO VALV.	NUT 5mm, FLANGED VALV.
31	05526	1		GUARN. COP.FRIZ. EST.125 06/->	GASKET, EXT.CLUTCH COVER 125/6
32	28004.85	1		ALBERINO POMP.CENTR 85 CPL 13>	SHAFT, WATERPUMP 85 ASSY 13->
33	30186	1		CARTER FRIZIONE 125 M.06/11	COVER, INT CLUTCH 125 M.06/11
34	05527	1		GUARN. COP.FRIZ. INT.125 06/->	GASKET, CLUTCH CASE 125 06/->
35	49103	1		RONDELLA 14X20X1,5 ALLUMINIO	WASHER, 14 X 20 X 1.5 ALUMINUM
36	49300	1		TAPPO CARICO OLIO	OIL PLUG, FILL
37	49474	3		VITE TCEI 5X16 UNI 5931	BOLT TCEI 5X16
38	30201.02	1		COPERCHIETTO LEV.VALV.C/E80 02	EXT. VALVES COVER MX/END.80 02
39	05514.1	1		GUARN. COP.LEVERAG.80/85 M.02	GASKET, POWER VALVE 85 M.02/09
40	21009	1		TAPPO GOMMA COPERCHIO VALV.SC.	RUBBER, COVER



2T100MXJ26-M
2T 100 MX JUNIOR - 2S 100 MX JUNIOR

FRIZIONE
CLUTCH



TM0174



2T100MXJ26-M
2T 100 MX JUNIOR - 2S 100 MX JUNIOR

FRIZIONE
CLUTCH

5

Pos.	Codice	Q.tà	Note	Descrizione	Description
1	49058	5		DADO FRIZIONE ERGAL 85CC 2014	NUT, CLUTCH 85cc ERGAL 14->
2	16020	5		MOLLA FRIZIONE 125 C/E 03/08BA	SPRING, CLUTCH 125 MX/E 03/->
3	49211	1		SEEGER E10x1 ANELLO PIATT.REG.	CIRCLIP D.8,4 - EXTERNAL
4	35015	1		PIATTO SPINGIDISCO FRIZIONE 85/100/112/125/144	PLATE, CLUTCH PRESS.125 97/02
5	19021	1		RONDELLA X GABBIA RULLI AS1024	WASHER, NEEDLE CAGE AS 1024
6	19020	1		GABBIA A RULLI RAD. AXK 1024	NEEDLE CAGE AXK 1024, RADIAL
7	26001	1		REGGISPINTA FRIZIONE	CLUTCH THRUST
8	35025	1		PIATTO SPING. FRIZIONE 85/100/112/125/144 CPL	PLATE, CLUTCH PRESSURE ASSY
9	35019	7		DISCO FRIZ. ACC. 1mm 99/05	CLUTCH PLATE, STEEL 1mm 99/05
10	35027	8		DISCO FRIZ. GUARN.CR/E 125 PRT	CLUTCH PLATE, FIBER 85/125 MX/E 93/-> ALTERNATIVE CODE FOR 35012
11	49052	1		DADO TAMBURELLO FRIZIONE	NUT, CLUTCH CENTER
12	49127	1		MOLLA A TAZZA DIN 2093 28X14,2X1,25	DISC SPRING DIN 2093 28x14,2x1,25
13	25099.14	1		TAMBURELLO FRIZIONE 125 2014	CLUTCH CENTRE 125cc M.14->
13	50124	1		CHIAVE FRIZ. 85/125 + KART CPL	CLUTCH TOOL 85/125cc + KART
14	48002	1		SPESSORE COP.PRIM.30X18X3	SPACER 30x18x3
15	49727	6		VITE PARASTRAPPI K9 M7X1X12.5	SCREW, M7X1X12,5 K9 ENGINE
16	35026	1		DISCO BATTUTA GOMM. FRIZ.KZ10B 85/125	DISC STOP RUBBERS CLUTCH KZ10B
17	25000	1		CAMPANA FRIZ.125 M.91/96 99/23	CLUTCH BASKET 125 91/96 99/05
18	21005	6		GOMMINO PARASTRAPPI FRIZIONE	RUBBER, CLUTCH BASKET
19	40400	1		COPPIA PRIM. 80/85 Z66	PRIMARY GEAR 66T, 80/85
20	40404	1		COPPIA PRIM. 80/85 Z66 CPL/CAM	PRIMARY GEAR 66T, 80/85 Comp.
21	19013	2		GABBIA A RULLI K 20X24X12	NEEDLE CAGE 20 X 24 X 12
22	35043	1		ASTINA FRIZ. IDR. 125 200,8 mm MY 99/->	ROD, HYDR.CLUTCH 125 M. 99/04
23	48003	1		SPESSORE COP.PRIM.30X20X2	SPACER 30X20X2 PRIMARY GEAR
24	49486	2		VITE TCEI 6X30 UNI 5931-912 YZPL	BOLT TCEI 6X30
25	26212	2		BOCCOLA PROT. PIGNONE 125 F.6	COLLAR, SPROCKET 125cc H.6
26	40029	1		PROTEZIONE PIGNONE 09/-> PLAST	PROTECTION FRONT SPROCKET09/13



2T100MXJ26-M
2T 100 MX JUNIOR - 2S 100 MX JUNIOR

FRIZIONE
CLUTCH

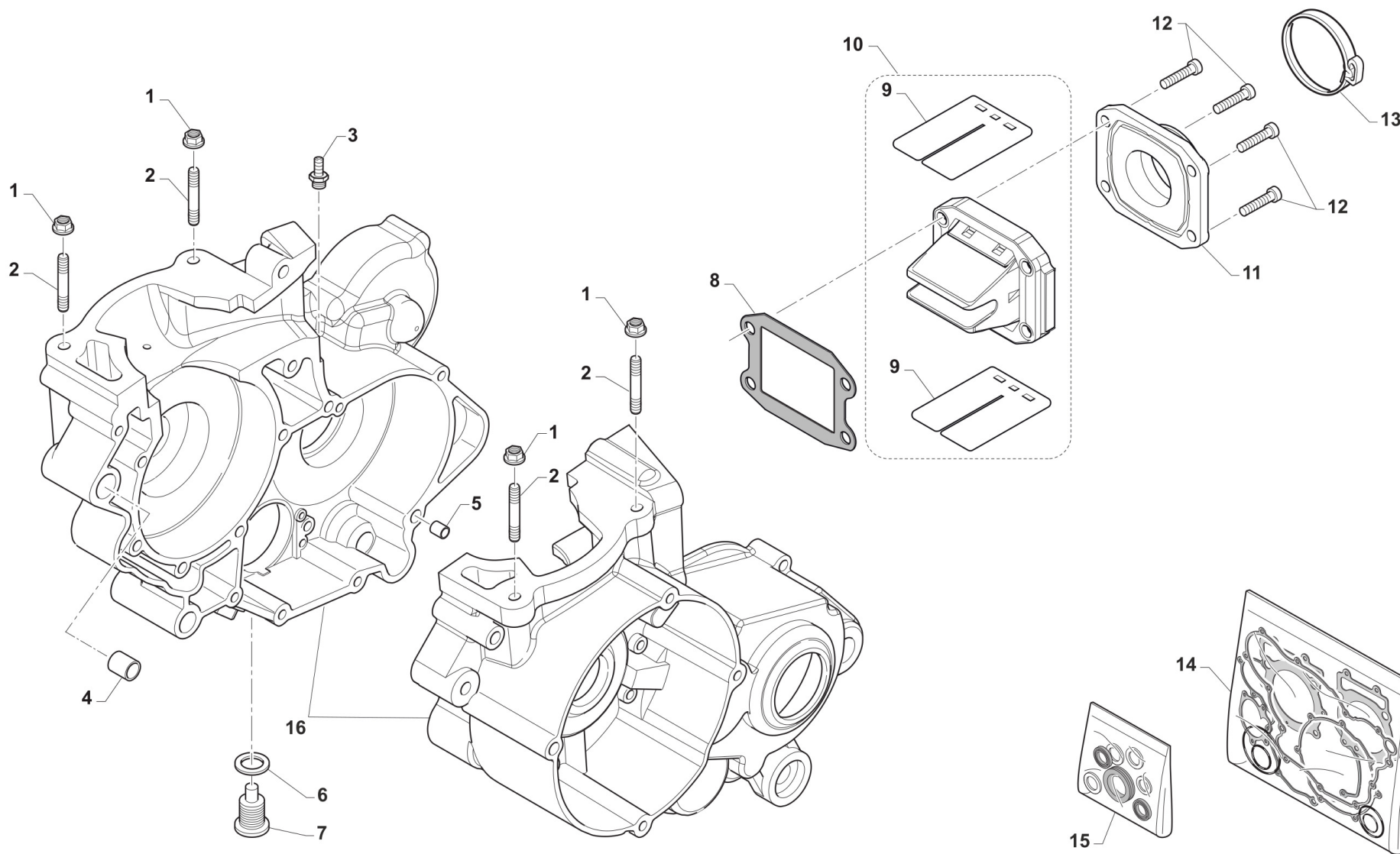
5

Pos.	Codice	Q.tà	Note	Descrizione	Description
27	40022	1		PROTEZIONE ERGAL PIGNONE CAT.	PROTECTION, GEAR CHAIN ERGAL
28	35264	1		VITE SPURGO OLIO FRIZ.IDR.6X1	SCREW AIR BLED HYDRAUL.CLUTCH
29	30205	1		COP. FRIZ/IDR 80/125 95/11 NUD	OUTPUT H.CLUTCH CYLINDER
30	12259	1		O RING PISTONE FR.125/250 VITON (Verde)	O-RING, CLUTCH PISTON 125/250
31	35125	1		PISTONE POMPA FRIZ. 125 95/->	PISTON, CLUTCH PUMP 125 95/04
32	19052	1		SFERA 8 X FRIZIONE 250 5/16"	BALL, IDR. CLUTCH PUMP
33	05509	1		GUARN. POMPA FRIZ.IDR. 80/125	GASKET, HYDRAULIC CLUTCH80/125
34	30206	1		COP. FRIZ/IDR 85/125 95/-> CPL	OUTPUT H.CLUTCH CYLINDER CPL.



2T100MXJ26-M
2T 100 MX JUNIOR - 2S 100 MX JUNIOR

BASAMENTO E PACCO
CASE AND REEDS BOX



TM0176



2T100MXJ26-M
2T 100 MX JUNIOR - 2S 100 MX JUNIOR

BASAMENTO E PACCO
CASE AND REEDS BOX

6

Pos.	Codice	Q.tà	Note	Descrizione	Description
1	49640	4		DADO M 8 FLANGIATO CHIAVE 12	NUT 8mm, FLANGE
2	49043	4		PRIGIONIERO CIL.M8X48,5 85/100	
3	49002	1		RACCORDO SFIATO VALV.MOT.F.D.3	FITTING VENT VALVE
4	26043	1		GRANO CARTER ANT. 14 X 14	GRUB SCREW 14X14
5	26044	1		GRANO CENTRAGGIO MOTOR.10X13,6	GRUB SCREW 10X13,6
6	49103	1		RONDELLA 14X20X1,5 ALLUMINIO	WASHER, 14 X 20 X 1.5 ALUMINUM
7	49301	1		TAPPO OLIO C/CALAM. 2T	OIL PLUG WITH MAGNET
8	05262	1		GUARN. PACCO LAMELLE 80/85	GASKET, REEDS VALVE 80/85cc
9	20075	1		LAMELLE V-FORCE3 85/100 08/->	REEDS, V-FORCE3 85/100 08/->
10	20084	1		PACCO LAMELLARE 85/100cc 2008 VF3	REEDS BOX 85/100 2S V-FORCE 3
11	13095	1		COLLETTORE ASP.80/85*13 KEI.28	INLET MANIFOLD 85 13-> KEIH.28
12	49484	4		VITE TCEI 6X20	BOLT TCEI 6X20
13	51063	1		FASCETTA SM9 D.40	CLAMP SM9 D.40mm
14	05616.07	1		KIT GUARN. 85/100 MOD. 07/->	GASKETS + OR 85/100 07/->
15	04037	1		KIT PARAOLI 85/100 MOD. 2016/2022	OIL SEAL 85 / 100 MY 18->
16	30028.16	1		BASAMENTO MOTORE 100cc MOTO 2016	



2T100MXJ26-M
2T 100 MX JUNIOR - 2S 100 MX JUNIOR

MESSA IN MOTO
KICK STARTER

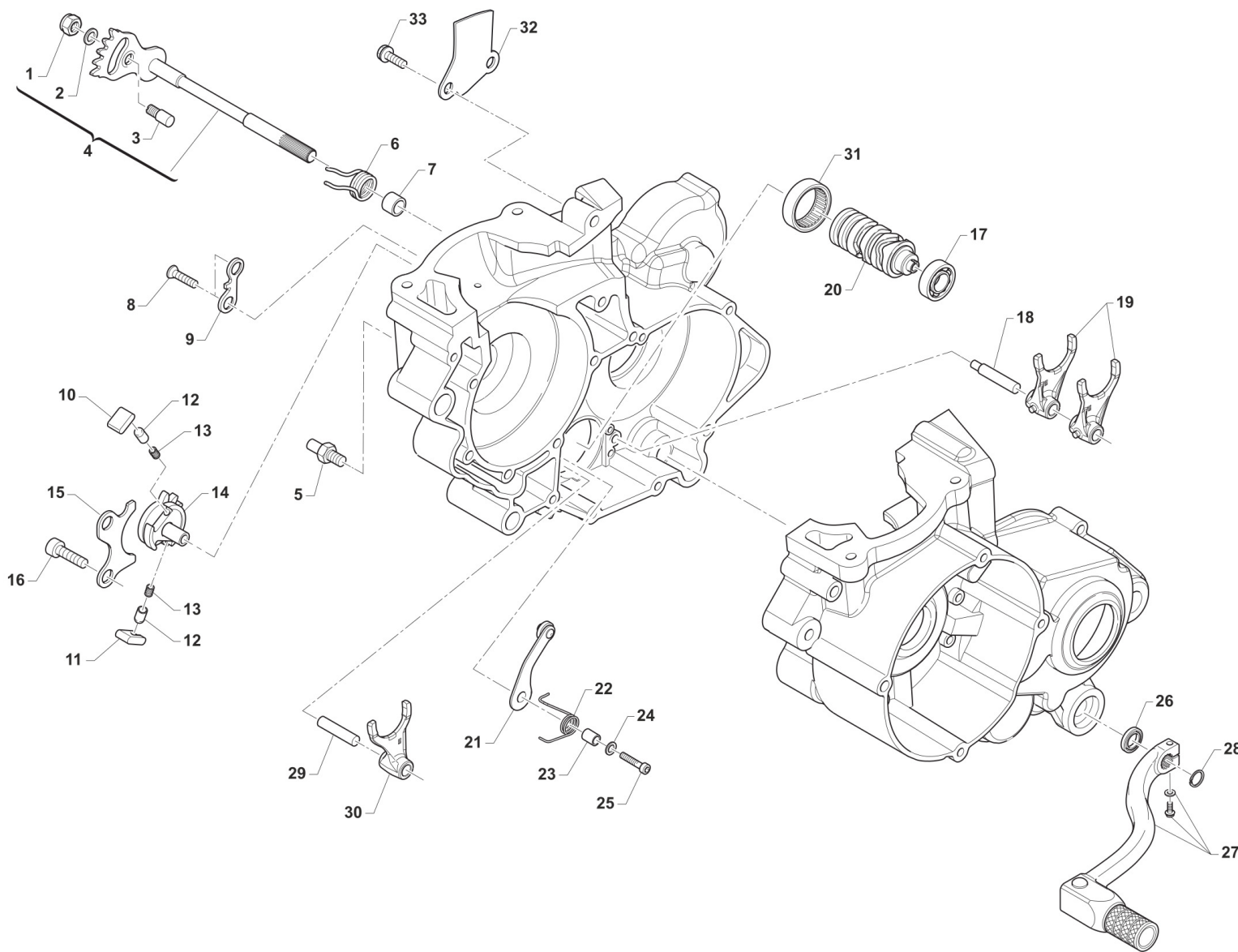
7

Pos.	Codice	Q.tà	Note	Descrizione	Description
1	43038	1		LEVA M/M 80/125 M. 99/->	LEVER, KICK STARTER 125 99/->
2	49368	1		VITE TE F/R 6X10 LEVA M/M	BOLT 6X10 (Kich Starter)
3	04005	1		PARAOLIO ALBERINO M/M 15x24x7	OIL SEAL 15 x 24 x 7
4	26005	1		DISTANZIALE MOLLA M/M	SPACER, KICK STARTER SPRING
5	16008	1		MOLLA M/M 80 / 125 / 144 cc	SPRING, KICK STARTER
6	49406	1		VITE TSEI 6X20	BOLT TSEI 6x20
7	12260	1		O RING INTERNO LEVA M/M 250	O-RING INT.LEVER KICK START250
8	43039.01	1		MOZZETTO KICK START 125 M. 96 ->	
9	16039	1		MOLLA X SFERA LEVA M/M 250 CC	SPRING, BALL KICK-START. 250cc
10	43250.03	1		SFERA 1/4C X LEVA M/M 250 CC	BALL, KICK STARTER LEVER 250cc
12	48008	1		RONDELLA ALBERO MESSA IN MOTO	WASHER, KICK STARTER SHAFT
13	19010	1		GABBIA A RULLI K 15X19X10	BUSH NEEDLE CAGE 15 X 19 X 10
14	28051	1		ALBERO MESSA IN MOTO 125/144 96/18	SHAFT, KICK STARTER 125 96/05
15	40350	1		INGRANAGGIO SCORREVOLE M/M 125 / 144	SLIDING GEAR, KICK STARTER 125
16	16006	1		MOLLA X INGRANAGGIO M/M	SPRING, KICKSTART SLIDING GEAR
17	26254	1		LEVA BATTUTA M/M 125/250 96/->	STOPPER, KICK STARTER
18	49214	1		SEEGER E15 INGRANAGGIO M/M	CIRCLIP GEAR K.S. 15mm
19	48004	2		SPESSORE INGRANAGGIO M/M	SPACER, K.STARTER GEAR
20	40351	1		INGRANAGGIO LIBERO M/M 125 / 144	GEAR, KICK STARTER 125



2T100MXJ26-M
2T 100 MX JUNIOR - 2S 100 MX JUNIOR

COMANDO CAMBIO
GEARSHIFT MECHANISM



0702



2T100MXJ26-M
2T 100 MX JUNIOR - 2S 100 MX JUNIOR

COMANDO CAMBIO
GEARSHIFT MECHANISM

Pos.	Codice	Q.tà	Note	Descrizione	Description
1	49638	1		DADO M 6 ALTO AUTOBLOCCANTE	NUT 6mm, HIGHT SELF-LOCKING
2	49603	1		RONDELLA M 6,4 X 12 X 1,6	WASHER 6x12
3	26050	1		BATTUTA ECCENTRICA	ADJUSTER SELECTOR SHAFT
4	28100	1		ALBERO COMANDO ING. P.TACRIC.	SHAFT, GEARSHIFT
5	26051	1		BATTUTA FISSA LEVA CAMBIO INT.	PIN INT. END STROKE GEAR LEVER
6	16009	1		MOLLA RITORNO LEVA CAMBIO 32CR	SPRING, RETURN GEAR LEVER 3,2
7	26006	1		DISTANZIALE MOLLA LEVA CAMBIO	SPACER, GEAR LEVER SPRING
8	49405	2		VITE TSEI 6X20 UMB.5933 10.9	BOLT TSEI 6x20 U.5933 10.9
9	26022	1		PIASTRINO FINE CORSA	PLATE END STROKE GEAR LEVER
10	26060	1		CRICCHETTO CAMBIO SUPERIORE	RATCHET UP, GEAR
11	26061	1		CRICCHETTO CAMBIO INFERIORE	RATCHET DOWN, GEAR
12	26062	2		PUNTALE PER CRICCHETTO CAMBIO	PIN, RATCHET GEAR
13	16012	2		MOLLA PER PUNTALE	SPRING, GEARBOX PIN
14	40310	1		INGRANAGGIO PORTACRICCHETTI	DRUM SHIFTER GEAR
15	26021	1		PIASTRINO RIENTRO CRICCHETTI	PLATE, RATCHET
16	49483	2		VITE TCEI 6X16 UNI 5931	BOLT TCEI 6X16
17	03012	1		CUSCINETTO DESMODROMICO 6001 2RS	BUSH, 6001 2RS GEAR DRUM
18	33256	1		PERNO FORCH.ALB.SEC. 250 / 125.99	AXEL, COUNTERSHAFT FORK 250cc
19	F33314	2		FORCHETTA A/S 125/250/300 CROM	SHIFT FORK SECONDARY 125/250CR
20	33004	1		ALBERO DESM.125 INTEGR. 6M CPL 125/144 6 M. CPL DI F26476	GEAR DRUM 125 6SP. 125/144 ASSY F26476
21	26063.12	1		PIASTRINO BLOCCAMARCE 2012 CPL	PLATE STOP GEAR ASSY M.12->
22	16252	1		MOLLA BLOCCAMARCE 125 / 250 2T	
23	26007	1		DISTANZIALE MOLLA BLOCCAMARCE	SPACER, STOP GEAR SPRING
25	49485	1		VITE TCEI 6X25 UNI 5931	BOLT TCEI 6x25
26	04004	1		PARAOLIO POMPA H2O-LEVA CAMBIO	OIL SEAL 12 x 22 x 5
27	43048	1		LEVA CAMBIO 2014 + 12MM (253) 85/125/144 2T 250Fi	GEAR LEVER 2014 +12mm (253)
28	49212	1		SEEGER E12 LEVA CAMBIO	CIRCLIP D.12 - EXTERNAL



2T100MXJ26-M
2T 100 MX JUNIOR - 2S 100 MX JUNIOR

COMANDO CAMBIO
GEARSHIFT MECHANISM

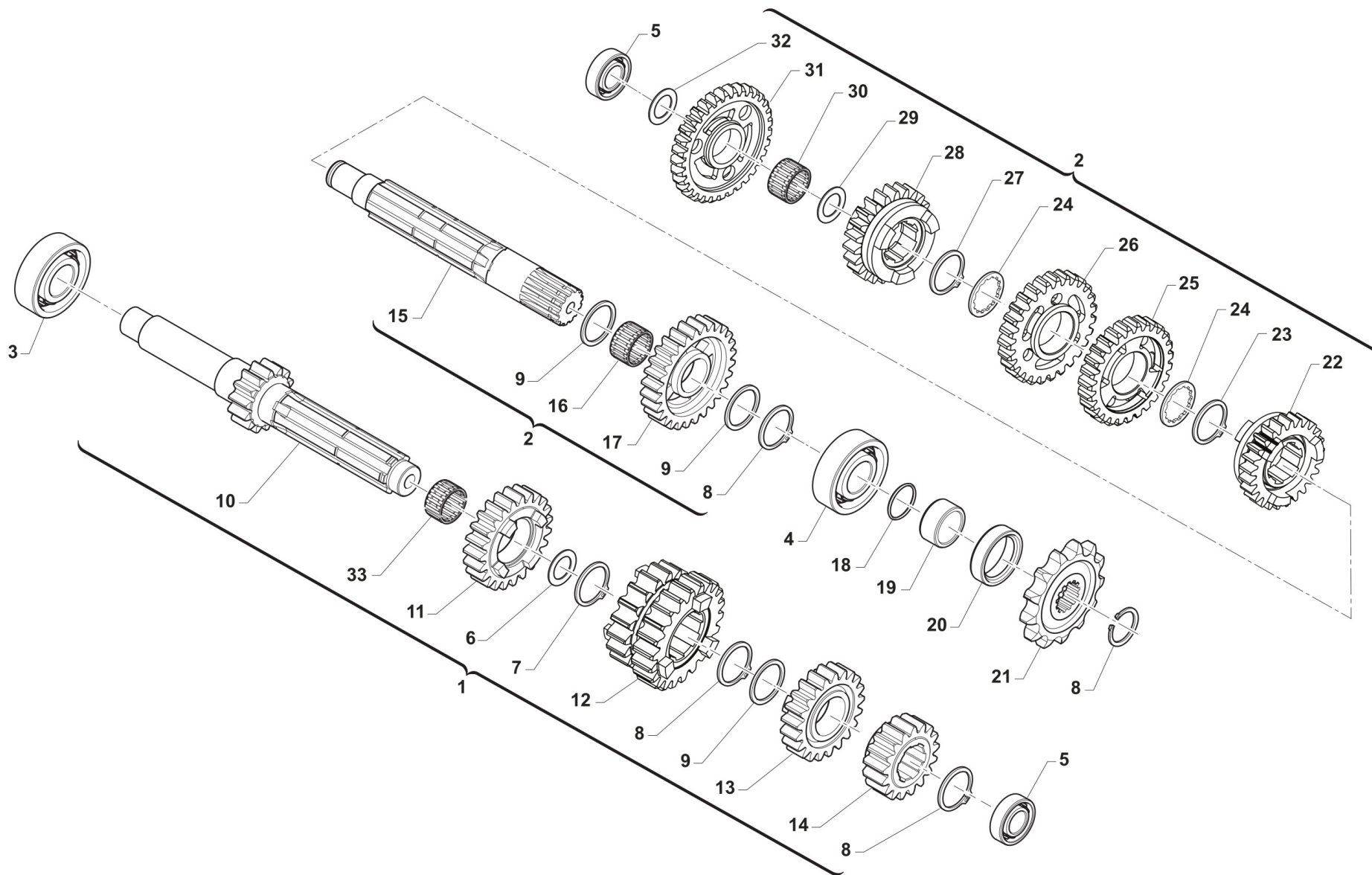
8

Pos.	Codice	Q.tà	Note	Descrizione	Description
29	33255	1		PERNO FORCH.ALB. PRIM.250 / 125.99	AXEL, MAINSHAFT FORK 250cc
30	33016	1		FORCHETTA ALB.PRIM.125 PRT.CRM	SHIFT FORK MAINSHAFT 125 CROM.
31	19041	1		ASTUCCIO A RULLI HK 35/12	BUSH NEEDLE CAGE DHK 35/12
32	26023	1		PIASTRINO CONVOGLIATORE OLIO	PLATE, OIL
33	49440	2		VITE TE 6X14	BOLT TE 6X14



2T100MXJ26-M
2T 100 MX JUNIOR - 2S 100 MX JUNIOR

CAMBIO
GEAR BOX



0703



2T100MXJ26-M
2T 100 MX JUNIOR - 2S 100 MX JUNIOR

CAMBIO
GEAR BOX

Pos.	Codice	Q.tà	Note	Descrizione	Description
1	40003	1		ALBERO PRIMARIO CPL 85/100 CC J/MX	PRIMARY ASHFT ASSY 85/100
2	40004	1		ALBERO SECONDARIO CPL 85/100 CC J/MX	SECONDARY SHAFT ASSY 85/100
3	03011	1		CUSCINETTO ALBERO PRIM. 6204 Z C3	BUSH, GEAR MAINSHAFT
4	03010	1		CUSCINETTO 6204 C3 PIG.CATENA	BUSH, COUNTERSHAFT / SPROCKET
5	03080	2		CUSCINETTO 6202 Z C3 (CON RIVETTI) CAMBIO	BUSH, CRAKSHAFT CLUTCH SIDE
6	48041	1		RASAMENTO A/P 27.5X21X1 KZ10B	SPACER, MAINSHAFT 27,5X21X1 KZ
7	49222	1		SEEGER E 21 mm	CIRCLIP D.21 - EXTERNAL
8	49216	4		SEEGER E20 PIGN.-CAMBIO-COPPIA	CIRCLIP D.20 - EXTERNAL
9	48013	3		RASAMENTO A/S 27X20X0,7	SPACER, 27x20x0,7
10	40713.85	1		ALBERO PRIMARIO Z 14 85CC RINF.CON SEDE SEEGER	PRIMA SHAFT 14T 85/100
11	40440	1		INGR. A.P. 5a Z 22 K9B/C 10 CR/E90	GEAR, 5TH (22T) MAINSHAFT
12	40432	1		INGR A.P. 3/4a Z 19/23	GEAR, 3/4TH (19-23T) MAINSHAFT
13	40451	1		INGR A.P. 6a Z 23	GEAR, 6TH (23T) MAINSHAFT
14	40423	1		INGR A.P. 2a Z 17	GEAR, 2ND (17T) MAINSHAFT
15	40460	1		ALBERO SECONDARIO	COUNTERSHAFT
16	19012	1		GABBIA A RULLI K 20X24X10	BUSH NEEDLE CAGE 20 X 24 X 10
17	40480	1		INGR A.S. 2a Z 29	GEAR, 2ND (29T) COUNTERSHAFT
18	12019	1		O RING PIGNONE CATENA	O-RING, DRIVE GEAR 2075
19	26002.1	1		DISTANZIALE PIGNONE (MOTO)	SPACER, MOTORCYCLE GEAR
20	04003	1		PARAOLIO PIGN.CATENA (26x37x7)	OIL SEAL 26 x 37 x 7
21	40014	1		PIGNONE Z 14 PASSO 1/2X5/16	SPROCKET 14T, DRIVE 1/2X5/16
21	40015	1		PIGNONE Z 15 PASSO 1/2X5/16	SPROCKET 15T, DRIVE 1/2X5/16
21	40016	1		PIGNONE Z 16 PASSO 1/2X5/16	SPROCKET 16T, DRIVE 1/2X5/16
21	40066.17	1		PIGNONE Z 17 P.1/2X5/16 CENTR. 85/100/112 SMX-J	SPROCKET 17T, DRIVE 1/2X5/16
22	40520	1		INGR A.S. 6a Z 23	GEAR, 6TH (23T) COUNTERSHAFT
23	49217	1		SEEGER E22 ANELLO ALB/S	CIRCLIP D.22 - COUNTERSHAFT
24	48011	2		RASAMENTO DENT.A/S 27X22X0,75	SPACER, 27x22x0,75
25	40500	1		INGR A.S. 4a Z 28	GEAR, 4TH (28T) COUNTERSHAFT



2T100MXJ26-M
2T 100 MX JUNIOR - 2S 100 MX JUNIOR

CAMBIO
GEAR BOX

9

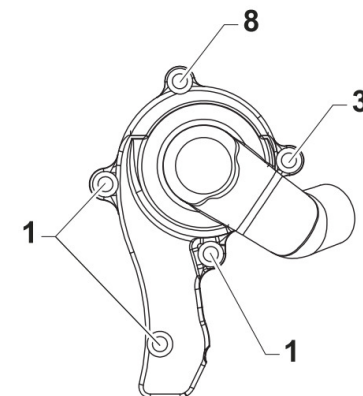
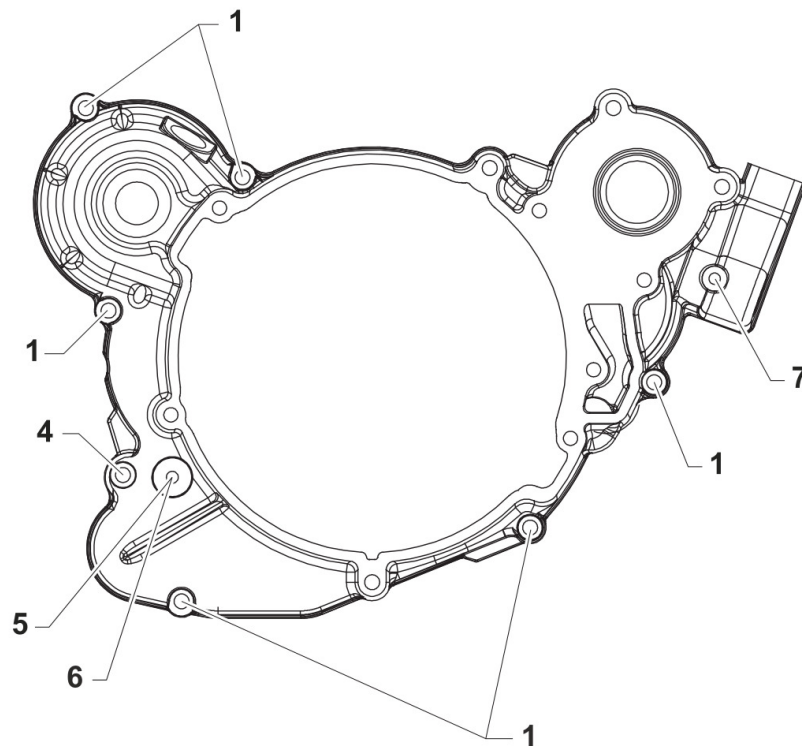
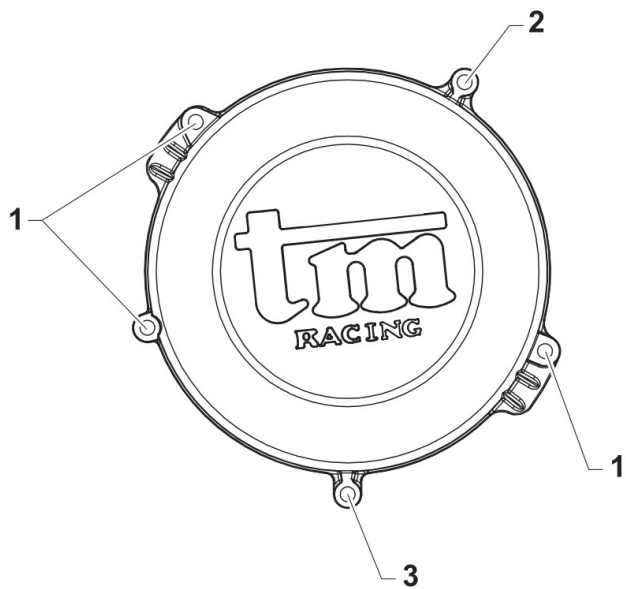
Pos.	Codice	Q.tà	Note	Descrizione	Description
26	40490	1		INGR A.S. 3a Z 27	GEAR, 3RD (27T) COUNTERSHAFT
27	49217.1	1		SEEGER RETTIFICATO PER 40510	SEEGER RING FOR CODE 40510
28	40510	1		INGR A.S. 5a Z 24 CR/E 90	GEAR, 5TH (24T) COUNTERSHAFT
29	48012	1		RASAMENTO A/S M/M SPESS.0,5	SPACER, 26x17x0,5
30	19011	1		GABBIA A RULLI K 17X21X10	BUSH CAGE 17 X 21 X 10
31	40470	1		INGRANAGGIO A.S. 1a Z 31 MX	GEAR 1St M X (31T) COUNTERSHAFT
32	48010	1		RASAMENTO ALB/S.28X15X0,5 INGI	SPACER, 28x15x0,5
33	19071	1		GABBIA A 20X24X10 IN DUE META'	NEEDLE CAGE 20X24X10 TWO PIEC.



2T100MXJ26-M
2T 100 MX JUNIOR - 2S 100 MX JUNIOR

VITI COPERCHI

10



0704



2T100MXJ26-M

2T 100 MX JUNIOR - 2S 100 MX JUNIOR

VITI COPERCHI

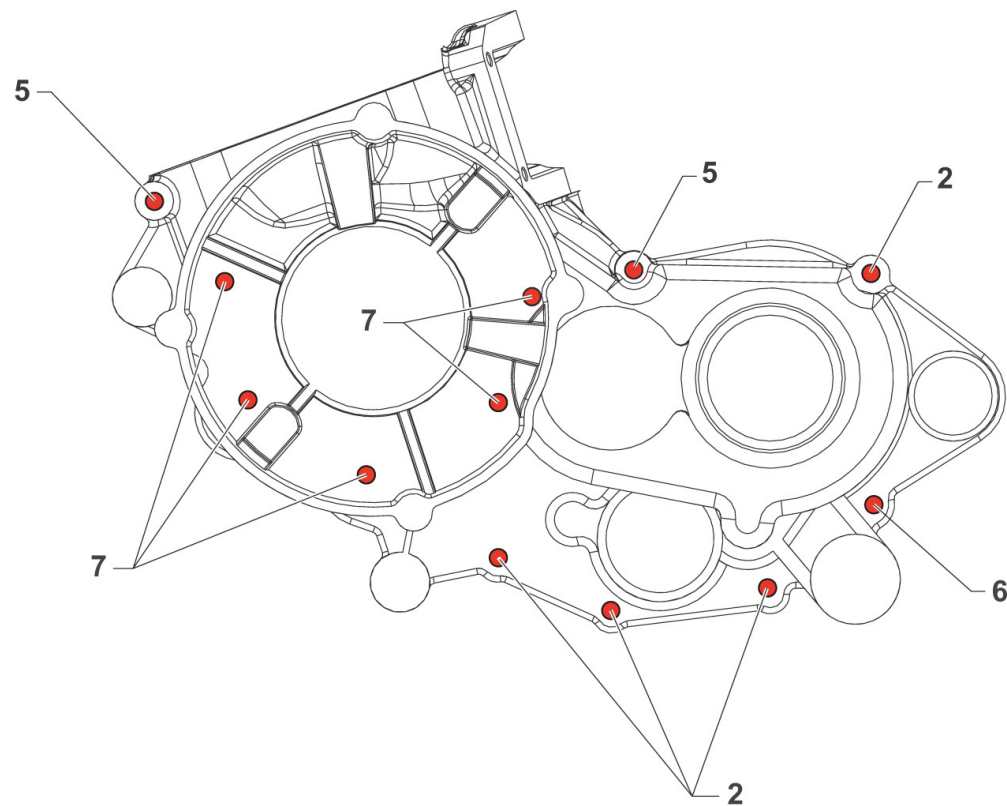
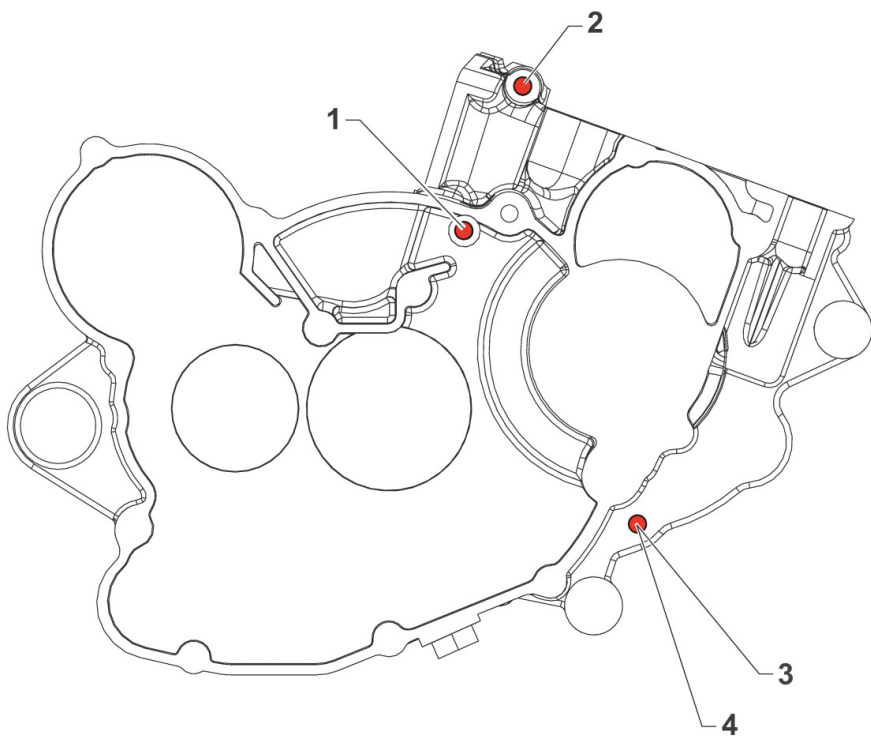
10

Pos.	Codice	Q.tà	Note	Descrizione	Description
1	49476	12		VITE TCEI 5X20 UNI 5931-912	BOLT TCEI 5X20
2	49563	1		VITE TCEI 6X85	SCREW TCEI 6X85
3	49595	2		VITE TCEI 5X80 UNI 5931-912 Brun	BOLT TCEI 5X80
4	49477	1		VITE TCEI 5X25 UNI 5931-912	BOLT TCEI 5X25
5	49542	1		VITE TCEI 5X10 UNI 5931	BOLT TCEI 5 X 10
6	49104	1		RONDELLA 6 x 10 x 1,5 ALLUMINIO	WASHER 6 x 10 x 1.5 ALUMINUM
7	49593	1		VITE TCEI 4X8 U.	BOLT TCEI 4X8 U.
8	49595	1		VITE TCEI 5X80 UNI 5931-912 Brun	BOLT TCEI 5X80



2T100MXJ26-M
2T 100 MX JUNIOR - 2S 100 MX JUNIOR

VITI BASAMENTO





2T100MXJ26-M

2T 100 MX JUNIOR - 2S 100 MX JUNIOR

VITI BASAMENTO

11

Pos.	Codice	Q.tà	Note	Descrizione	Description
1	49491	1		VITE TCEI 6X55	BOLT TCEI 6X55
2	49409	5		VITE TSEI 6X35	
3	49104	1		RONDELLA 6 x 10 x 1,5 ALLUMINIO	WASHER 6 x 10 x 1.5 ALUMINUM
4	49480	1		VITE TCEI 6X10 UNI 5931	BOLT TCEI 6X10
5	49490	2		VITE TCEI 6X50 UNI 5931	BOLT TCEI 6X50
6	49488	1		VITE TCEI 6X40	BOLT TCEI 6x40
7	49489	5		VITE TCEI 6X45 UNI 5931	BOLT TCEI 6x45